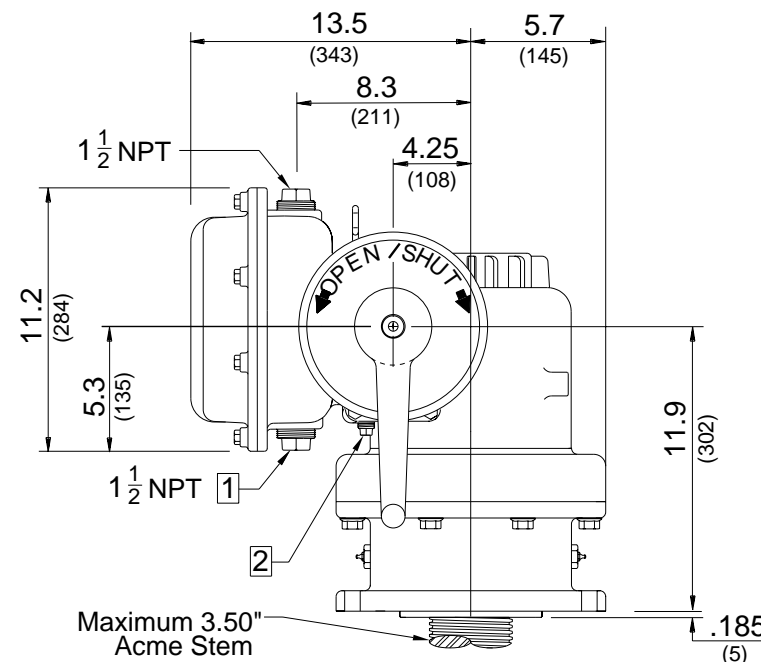
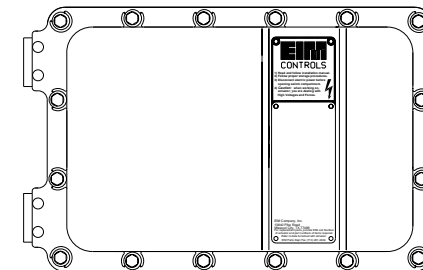


- Notes:
- 1 1 1/2 NPT is preferred wire entry. **CAUTION** Conduit must enter actuator at lowest point. If hazardous location seal conduit with drain type fitting.
  - 2 Gear Box Lubrication 1/2 -14 NPT plugs.
  - 3 Thrust base grease fittings



Maximum 3.50" Acme Stem

(8 places)  
 .656 (21/32) holes for  
 5/8-11 UNC through bolting  
 10.000 Bolt Circle  
 straddle  $\phi$

INCHES .XXX ± .005"  
 (MILLIMETERS) .XX ± .020"  
 .X APPROX.

**EIM** EIM COMPANY, INC.  
 13840 PIKE ROAD  
 CONTROLS MISSOURI CITY, TX 77489  
 TITLE **4000 M / T 10.00**  
 REV A OUTLINE NO. **4-TB01/25G** REV A

A	8/11/95	9727	CML
REV	DATE	ERO	BY