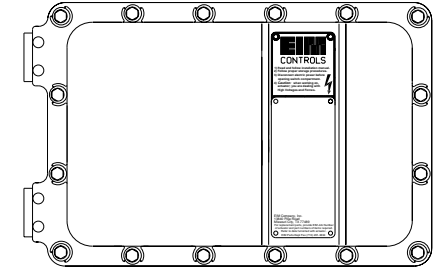


Notes:

1) 1.50-11.5 NPT (2 Plcs) is preferred wire entry. CAUTION Conduit must enter at lowest point to prevent water from entering electrical enclosure due to condensation. If hazardous (classified) or Nema 6 location, conduit seals are required at electrical enclosure entrances.

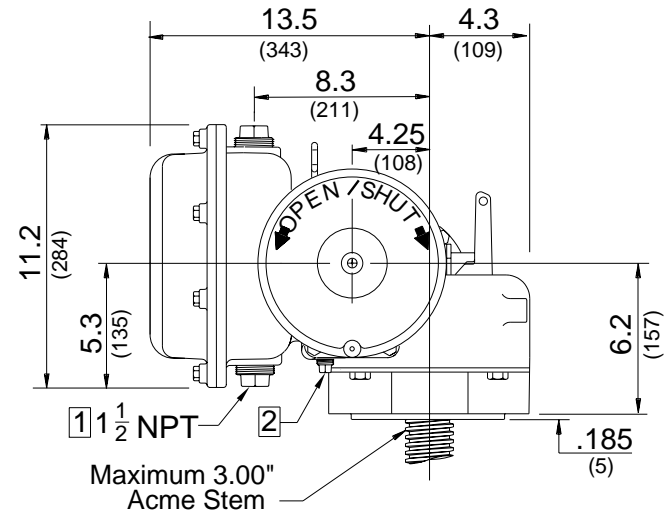
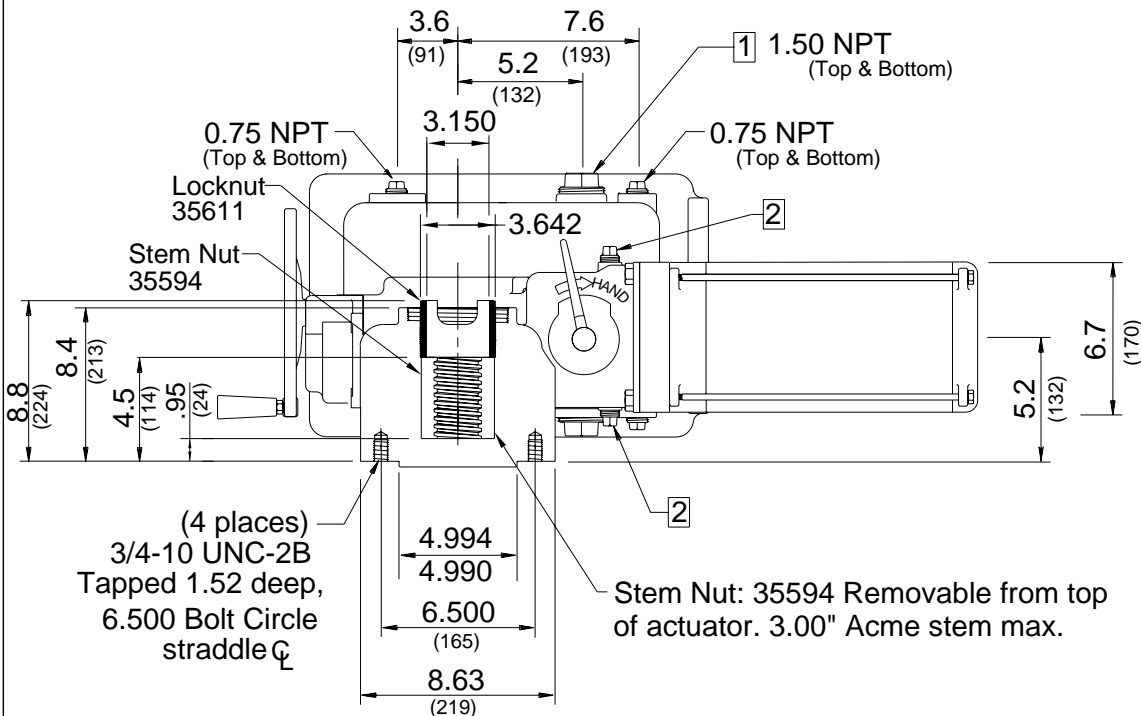
2) Lubrication 0.50-14 NPT Plugs

3) For electrical control pilot device elements mounted on actuator control cover, see EIM job spec sheet & wiring diagram furnished for each specific job no.



4) WARNING - The installation and servicing instructions are for use by qualified personnel only. To avoid injury and electric shock, do not perform any service on EIM equipment unless qualified.

5) Installation shall be in accordance with current edition of National Electrical Code



INCHES .XXX ± .005"  
 (MILLIMETERS) .XX ± .020"  
 .X APPROX.

**EIM** EIM COMPANY, INC.  
 13840 PIKE ROAD  
 CONTROLS MISSOURI CITY, TX 77489

TITLE **3000 M/T 6.50**

B	5/23/01	14446	CML
A	7/11/95	9647	CML
REV	DATE	ERO	BY

OUTLINE NO. **3-0001/16G** REV **B**