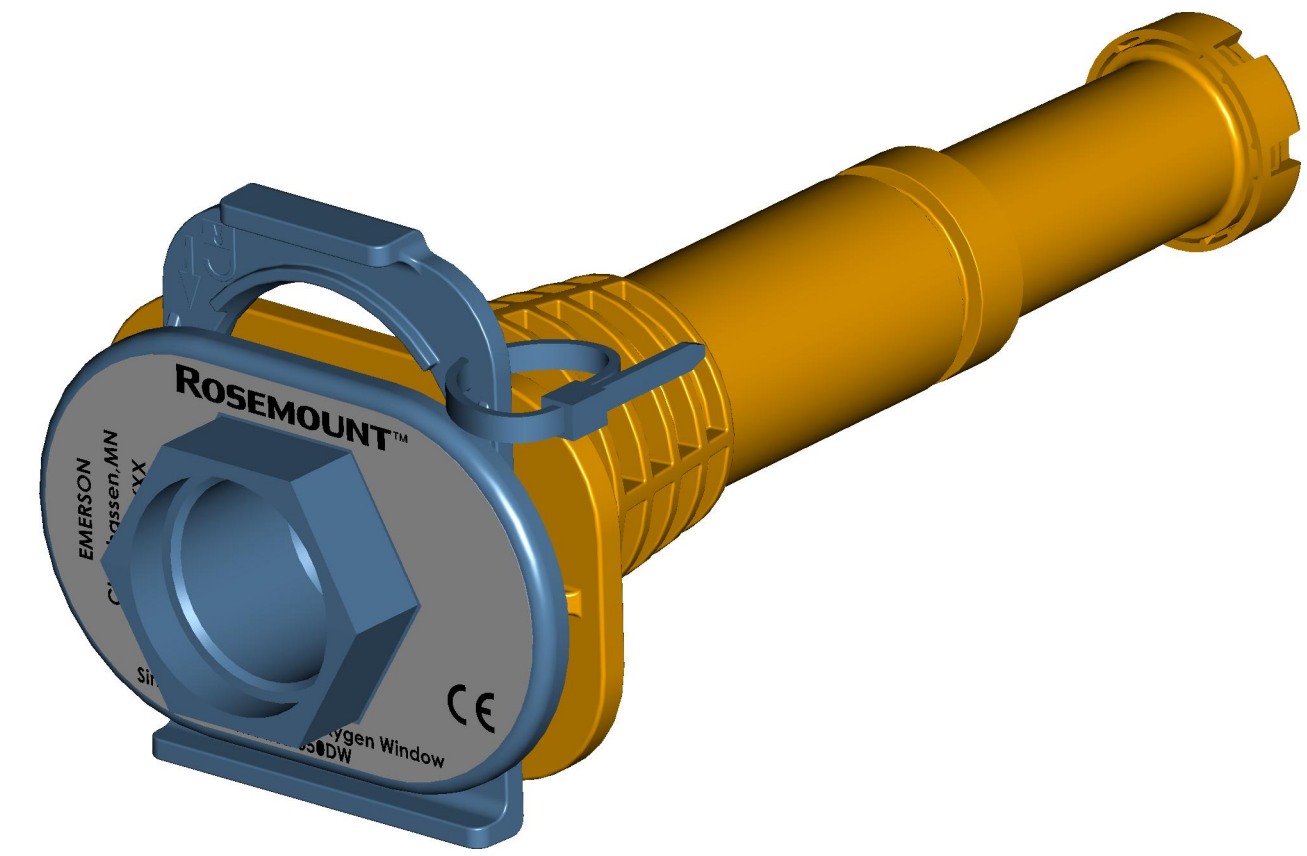
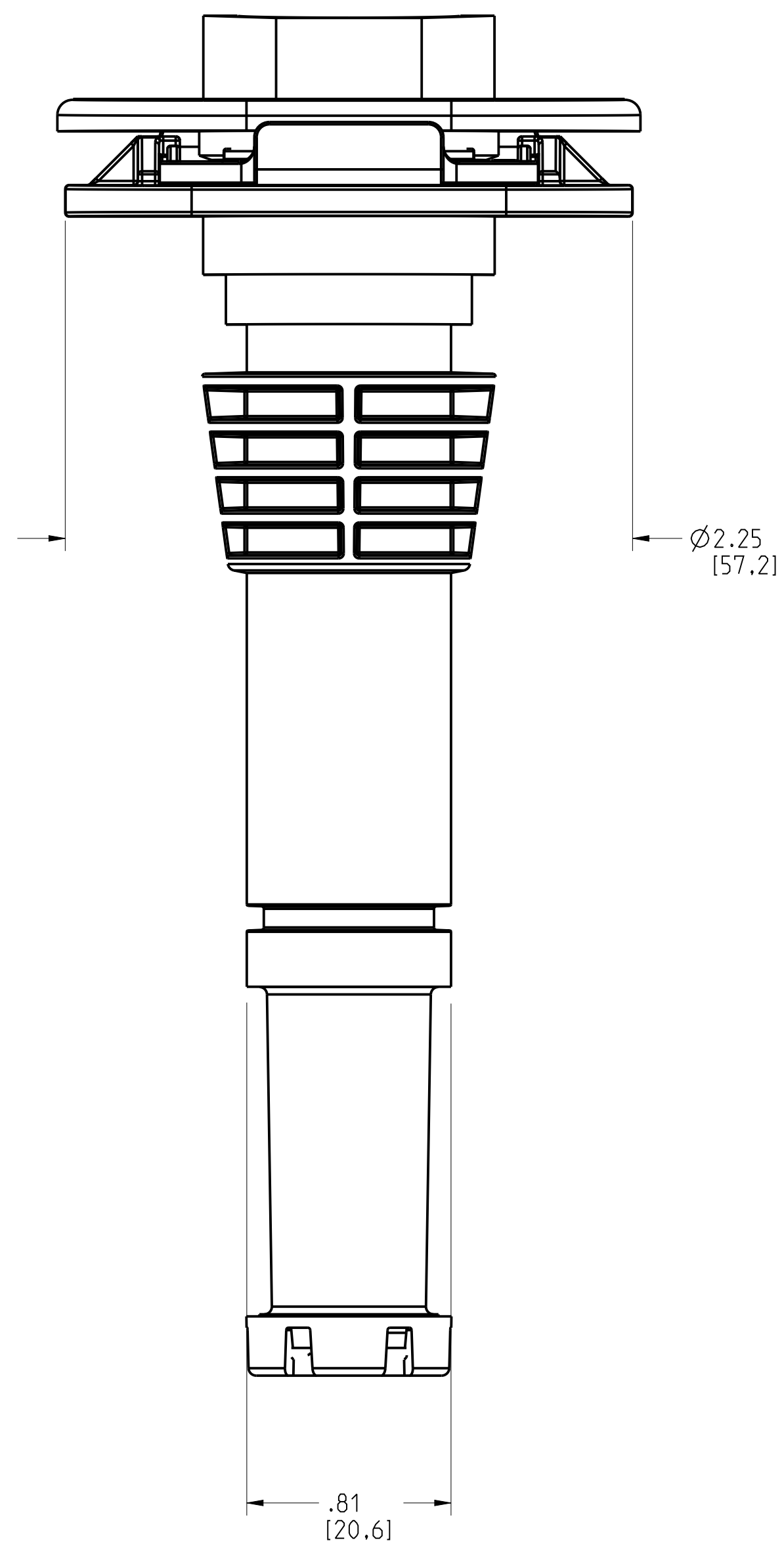
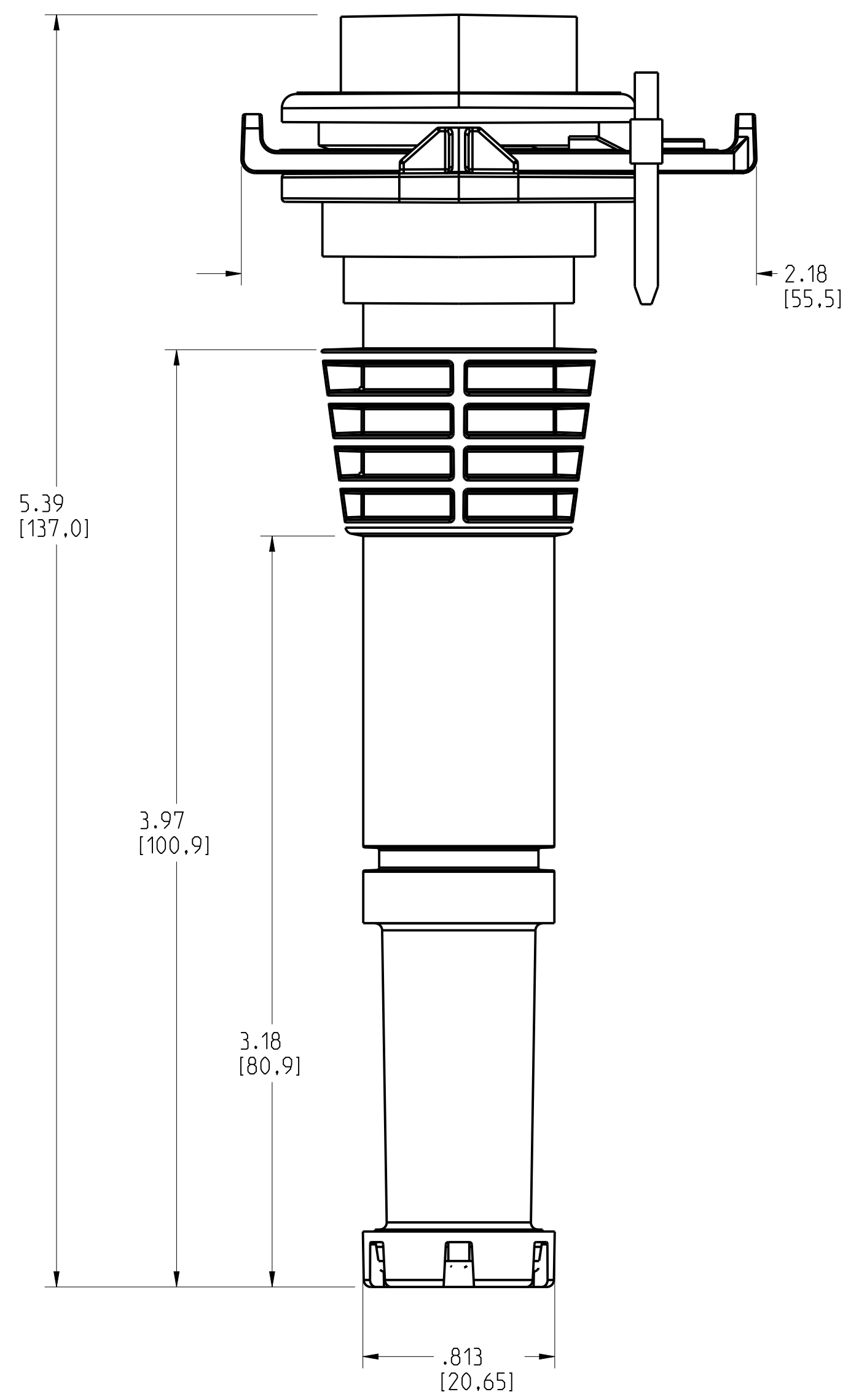


ROSEMOUNT 550DW SINGLE-USE DISSOLVED OXYGEN WINDOW

REVISION TABLE			
REVISION	ECO NO.	APP'D	DATE
AA	12132	M. FRANCIS	12/6/18
DESCRIPTION			
NEW RELEASE			



©2015 ROSEMOUNT, INC. ALL RIGHTS RESERVED. THIS DRAWING IS THE PROPERTY OF ROSEMOUNT, INC. AND IS TO BE USED IN ACCORDANCE WITH ROSEMOUNT ENGINEERING SPECIFICATIONS. UNIT NOTES IN INCHES (mm).

REFERENCE ROSEMOUNT PRODUCT SPECIFICATIONS FOR PRODUCT SPECIFICATIONS. CLICK HERE

3RD ANGLE SIZE D SCALE NTS

EMERSON

TITLE ROSEMOUNT DISSOLVE OXYGEN TYPE I DRAWING

DR. J. ARMSTRONG 12/6/18 DRAWING NO. 550DW

APP'D M. FRANCIS 12/6/18

CAD MAINTAINED (PRO/EI) SHEET 1 OF 1