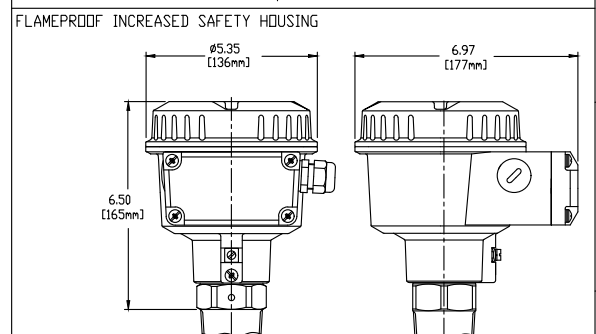
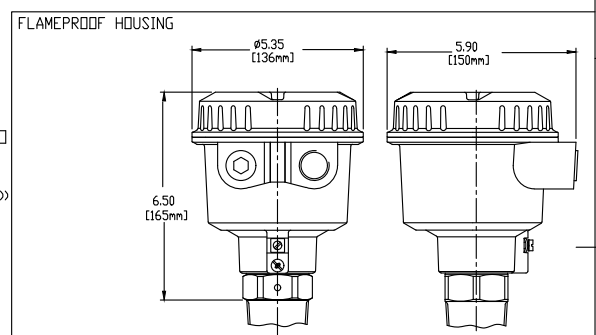
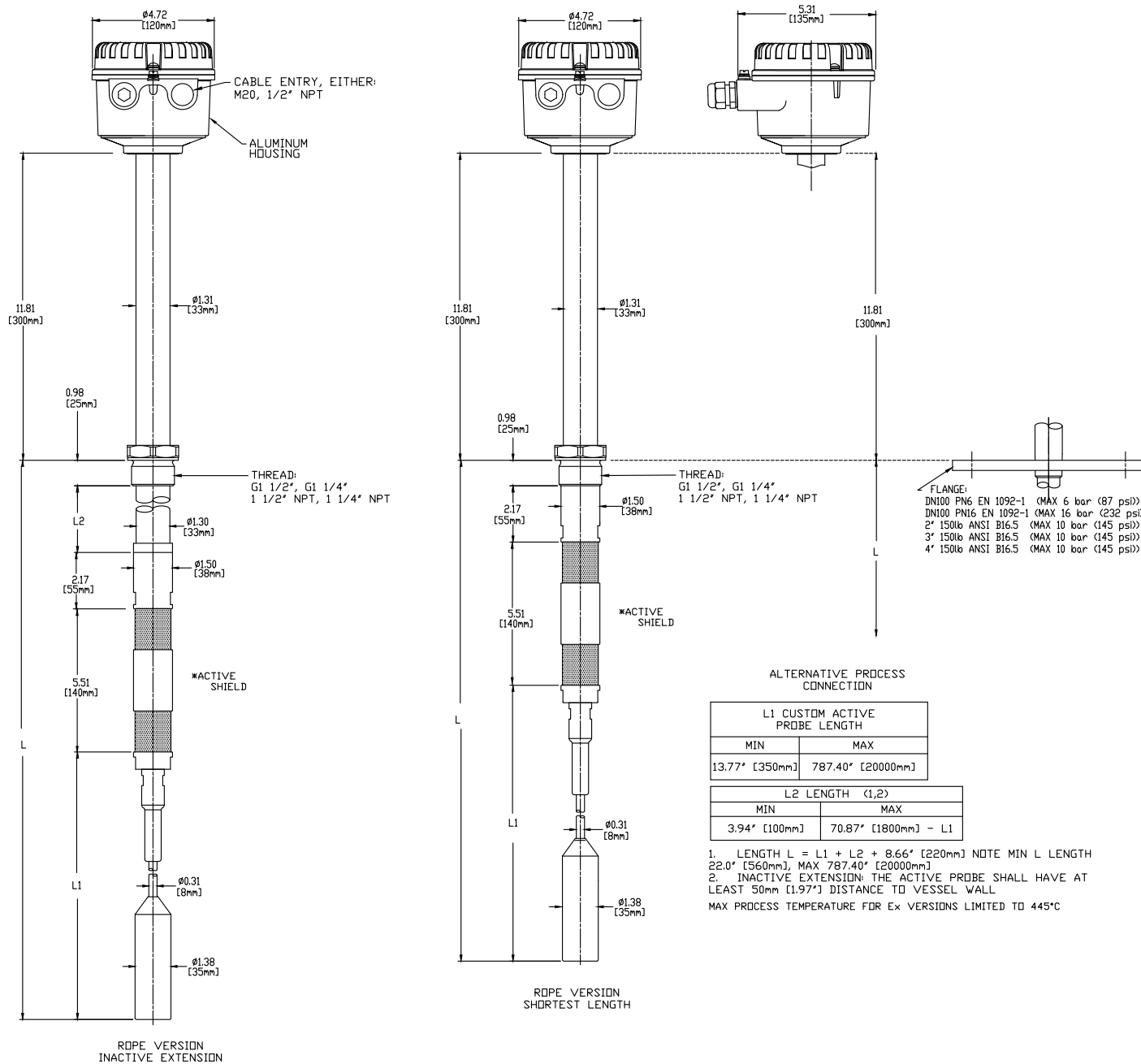


ROSEMOUNT 2555 SOLIDS LEVEL SWITCH
CAPACITANCE PROBE (THERMAL PROFILE V)

REVISION TABLE			
REVISION	ECD NO.	APP'D	DATE
AB	RTC1076043	D. ISAKSSON	9/28/2020
DESCRIPTION			
PHASE 2 RELEASED			



ALTERNATIVE PROCESS CONNECTION

L1 CUSTOM ACTIVE PROBE LENGTH	
MIN	MAX
13.77' [350mm]	787.40' [20000mm]

L2 LENGTH (L2)	
MIN	MAX
3.94' [100mm]	70.87' [1800mm] - L1

- LENGTH L = L1 + L2 + 8.66" [220mm] NOTE MIN L LENGTH 22.0" [560mm], MAX 787.40" [20000mm]
 - INACTIVE EXTENSION THE ACTIVE PROBE SHALL HAVE AT LEAST 50mm [1.97"] DISTANCE TO VESSEL WALL
- MAX PROCESS TEMPERATURE FOR Ex VERSIONS LIMITED TO 445°C

72015 ROSEMOUNT INC. ROSEMOUNT INC. CERTIFIES THESE DRAWINGS ARE IN CONFORMANCE WITH THE ROSEMOUNT ENGINEERING SPECIFICATIONS. UNIT NOTES IN INCHES (mm). REFERENCE ROSEMOUNT PRODUCT DATA SHEETS FOR PRODUCT SPECIFICATIONS. CLICK HERE	3RD ANGLE	SIZE A2	SCALE 1:3
	TITLE DRG, TYPE 1, SOLID LEVEL SWITCH ROPE, HIGH TEMPERATURE VERSION		
	DR. PC-1M APP'D. CT CAD MAINTAINED	7/30/2020 7/30/2020	DRAWING NO. 02555-1007