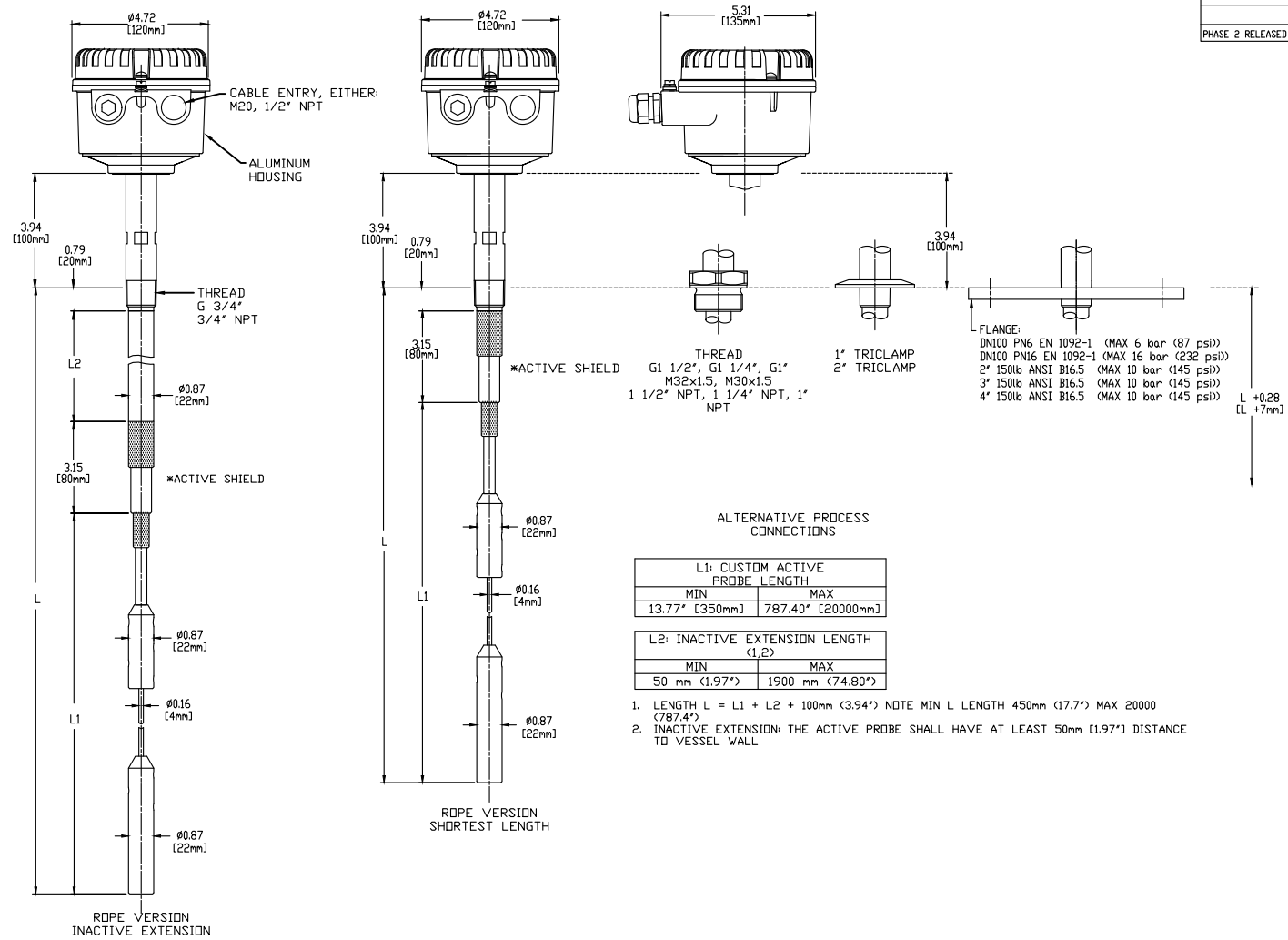
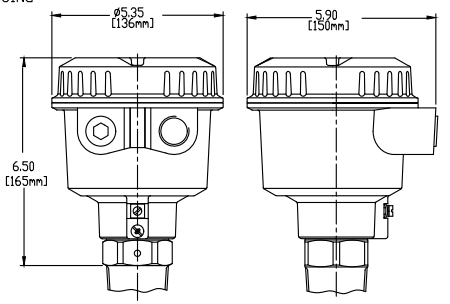


ROSEMOUNT 2555 SOLIDS LEVEL SWITCH  
CAPACITANCE PROBE (THERMAL PROFILE R)

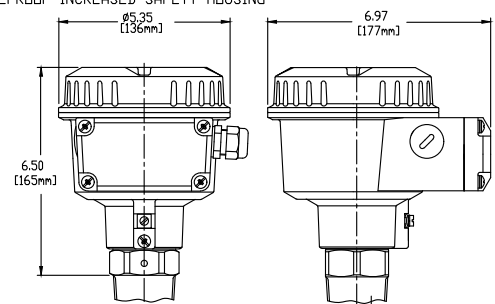
REVISION TABLE			
REVISION	ECO NO.	APP'D	DATE
AB	RTCI076043	D. ISAKSSON	9/28/2020
DESCRIPTION			
PHASE 2 RELEASED			



FLAMEPROOF HOUSING



FLAMEPROOF INCREASED SAFETY HOUSING



2015 ROSEMOUNT INC. ROSEMOUNT INC. CERTIFIES THE DRAWINGS ARE IN ACCORDANCE WITH THE ROSEMOUNT ENGINEERING SPECIFICATIONS. UNIT NOTES IN INCHES (mm). REFERENCE ROSEMOUNT PRODUCT DATA SHEETS FOR PRODUCT SPECIFICATIONS. CLICK HERE	3RD ANGLE	SIZE A2	SCALE 1:3
	TITLE DRG, TYPE 1, SOLID LEVEL SWITCH ROPE, STANDARD VERSION		
	DR. PC-IM 7/30/2020 APP'D. CT 7/30/2020 CAD MAINTAINED	DRAWING NO. 02555-1003	SHEET 1 OF 1