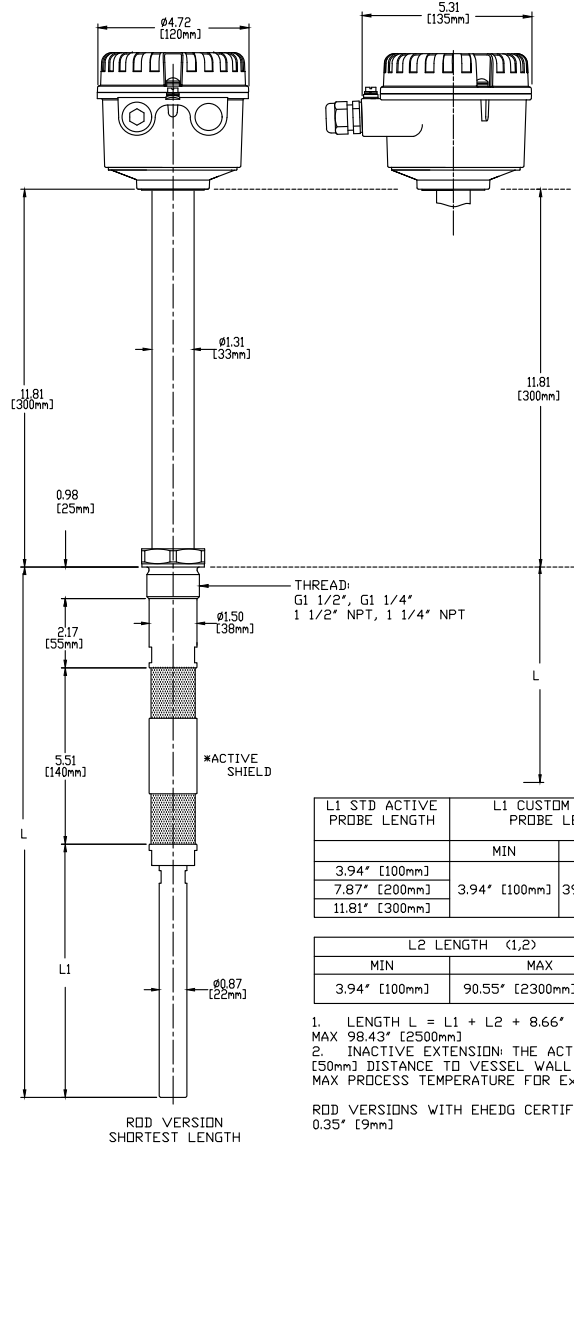
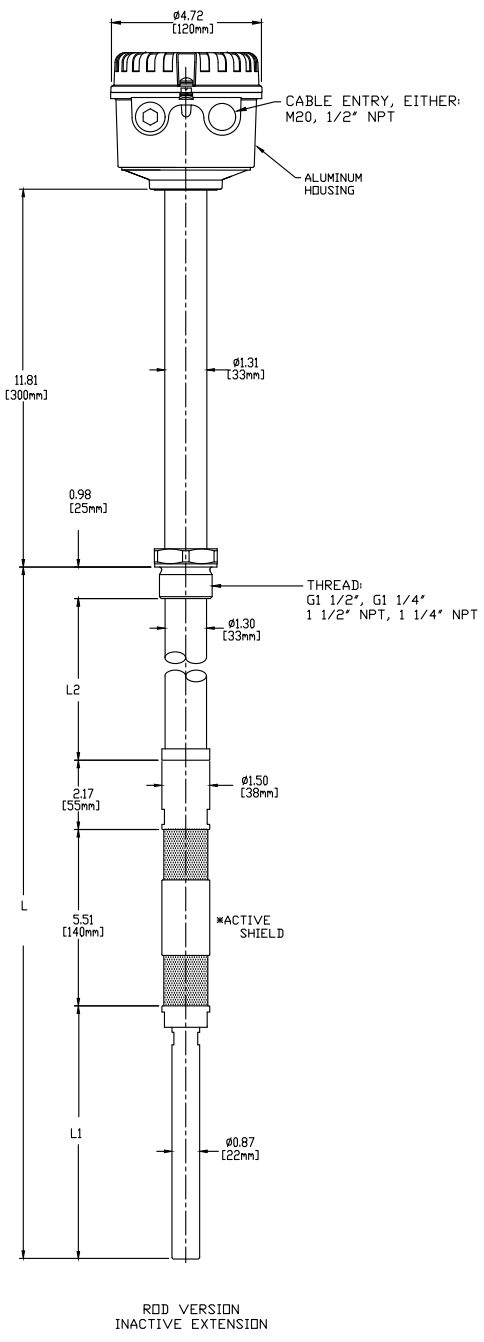


ROSEMOUNT 2555 SOLIDS LEVEL SWITCH  
CAPACITANCE PROBE (THERMAL PROFILE E)

REVISION TABLE			
REVISION	ECD NO.	APP'D	DATE
AB	RTC1076043	D. ISAKSSON	9/28/2020
DESCRIPTION			
PHASE 2 RELEASED			

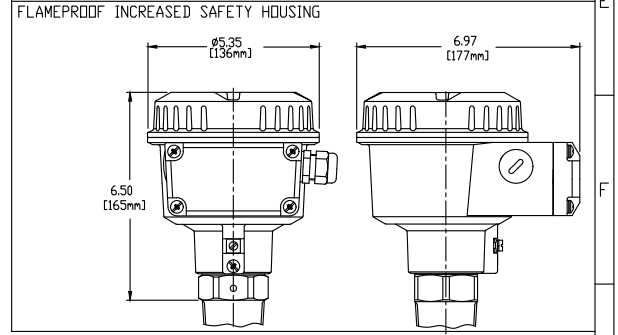
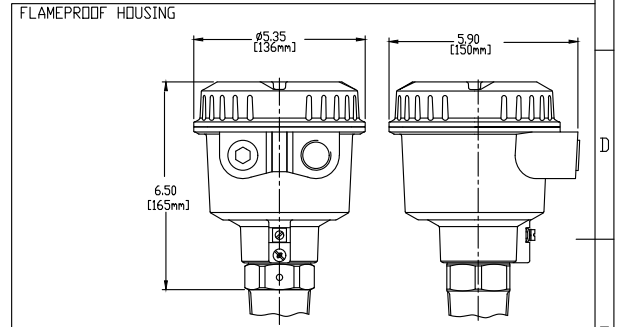
A  
B  
C  
D  
E  
F  
G  
H



L1 STD ACTIVE PROBE LENGTH	L1 CUSTOM ACTIVE PROBE LENGTH	
	MIN	MAX
3.94' [100mm]	3.94' [100mm]	39.37' [1000mm]
7.87' [200mm]		
11.81' [300mm]		

L2 LENGTH (1,2)	
MIN	MAX
3.94' [100mm]	90.55' [2300mm] - L1

- LENGTH L = L1 + L2 + 8.66' [220 mm] NOTE MIN L LENGTH 12.6' [320mm], MAX 98.43' [2500mm]
  - INACTIVE EXTENSION: THE ACTIVE PROBE SHALL HAVE AT LEAST 1.97' [50mm] DISTANCE TO VESSEL WALL  
MAX PROCESS TEMPERATURE FOR Ex VERSIONS LIMITED TO 883°F OR 445°C
- ROD VERSIONS WITH EHDG CERTIFICATION THE LENGTH 'L' IS INCREASED BY 0.35' [9mm]



72015 ROSEMOUNT INC. ROSEMOUNT INC. CERTIFIES THESE DRAWINGS ARE IN CONFORMANCE WITH THE ROSEMOUNT ENGINEERING SPECIFICATIONS. UNIT NOTES IN INCHES (mm). REFERENCE ROSEMOUNT PRODUCT DATA SHEETS FOR PRODUCT SPECIFICATIONS. CLICK HERE	3RD ANGLE		SIZE A2	SCALE 1:3
	TITLE DRG, TYPE 1, SOLID LEVEL SWITCH ROD, HIGH TEMPERATURE VERSION			
	DR. PC-IM APP'D. CT CAD MAINTAINED	7/30/2020 7/30/2020	DRAWING NO. 02555-1006	SHEET 1 OF 1