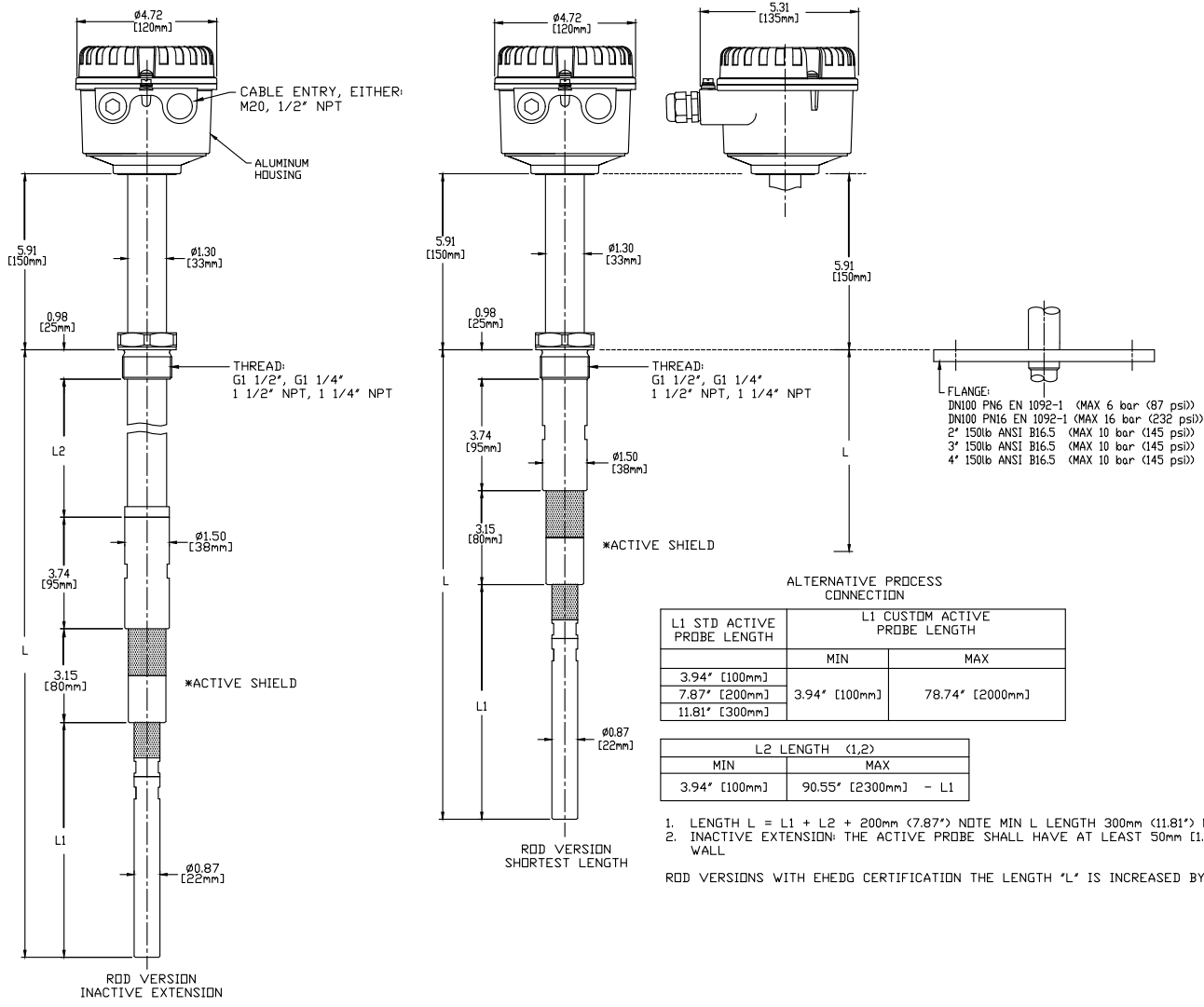


ROSEMOUNT 2555 SOLIDS LEVEL SWITCH  
CAPACITANCE PROBE (THERMAL PROFILE M)

REVISION TABLE			
REVISION	ECO NO.	APP'D	DATE
AB	RTCI076043	D. ISAKSSON	9/28/2020
DESCRIPTION			
PHASE 2 RELEASED			



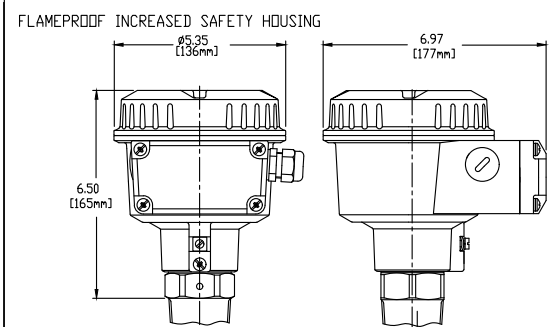
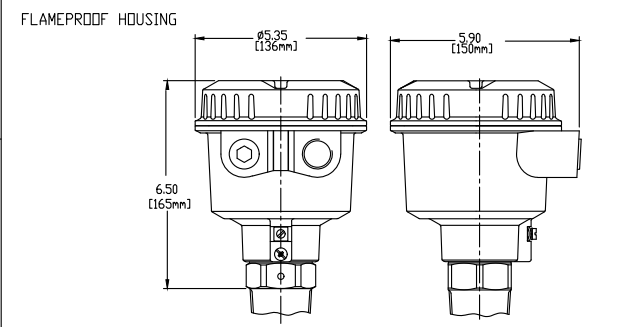
ALTERNATIVE PROCESS CONNECTION

L1 STD ACTIVE PROBE LENGTH	L1 CUSTOM ACTIVE PROBE LENGTH	
	MIN	MAX
3.94' [100mm]	3.94' [100mm]	78.74' [2000mm]
7.87' [200mm]		
11.81' [300mm]		

L2 LENGTH (L1, L2)	
MIN	MAX
3.94' [100mm]	90.55' [2300mm] - L1

- LENGTH L = L1 + L2 + 200mm (7.87') NOTE MIN L LENGTH 300mm (11.81') MAX 2500 (98.43')
  - INACTIVE EXTENSION: THE ACTIVE PROBE SHALL HAVE AT LEAST 50mm (1.97") DISTANCE TO VESSEL WALL
- ROD VERSIONS WITH EHEDG CERTIFICATION THE LENGTH 'L' IS INCREASED BY 9mm (0.35")



72015 ROSEMOUNT INC. ROSEMOUNT INC. CERTIFIES THE SALES DRAWINGS ARE IN ACCORDANCE WITH THE ROSEMOUNT ENGINEERING SPECIFICATIONS. UNIT NOTES IN INCHES (mm).  
 REFERENCE ROSEMOUNT PRODUCT DATA SHEETS FOR PRODUCT SPECIFICATIONS. CLICK HERE

3RD ANGLE		SIZE	A2	SCALE	1:3
<b>EMERSON</b>					
TITLE DRG, TYPE 1, SOLID LEVEL SWITCH					
ROD HEAVY DUTY VERSION					
DR.	PC-IM	7/30/2020	DRAWING NO.	02555-1004	
APP'D	CT	7/30/2020			
CAD MAINTAINED					SHEET 1 OF 1