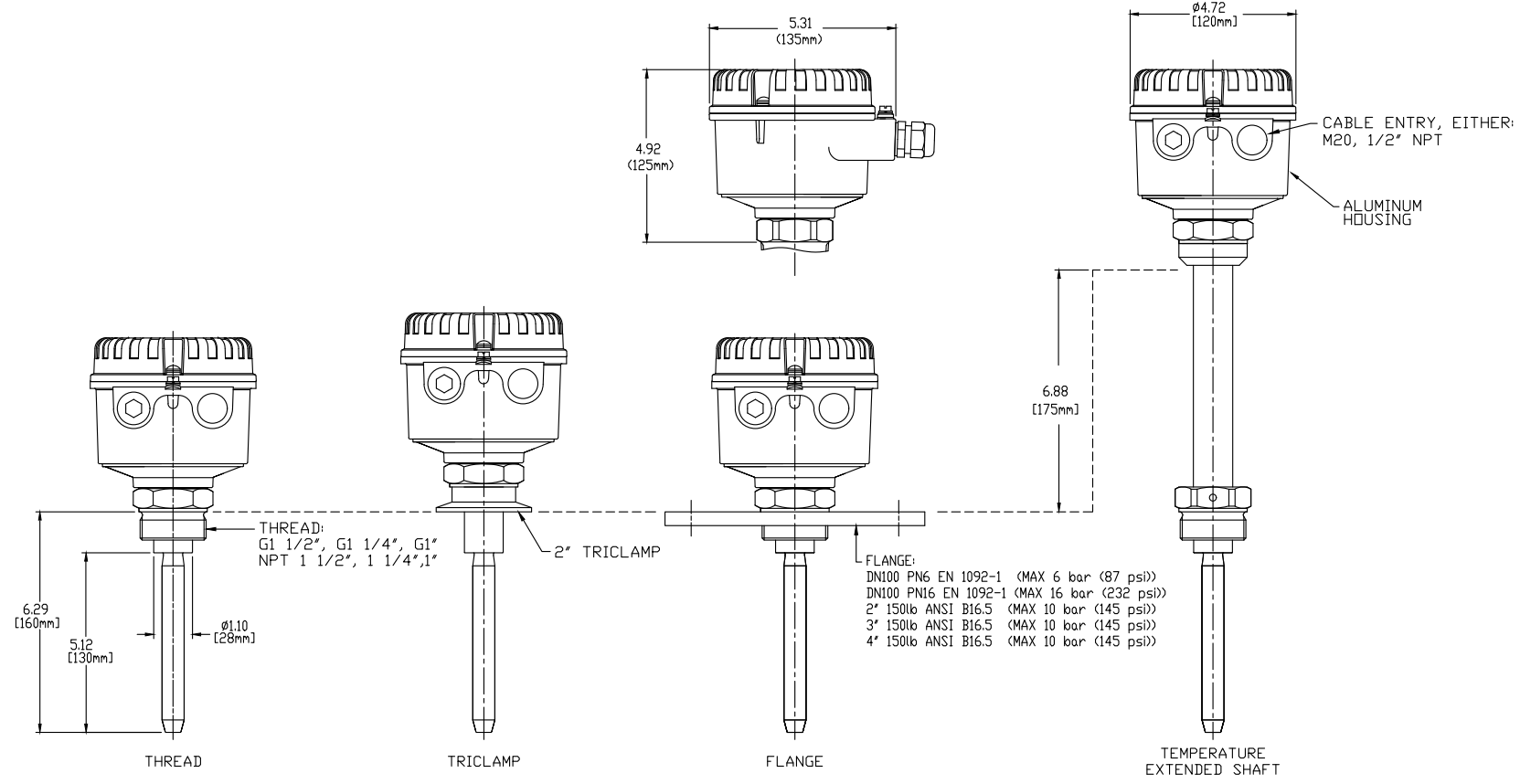
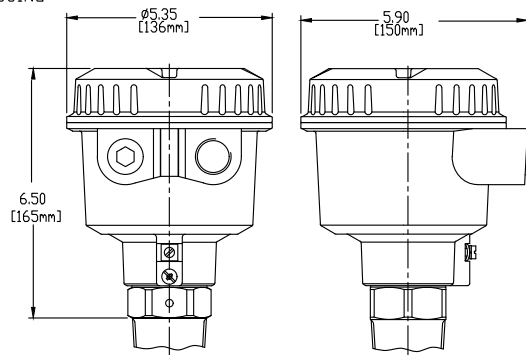


ROSEMOUNT 2535 SOLIDS LEVEL SWITCH
VIBRATING ROD (STANDARD LENGTH)

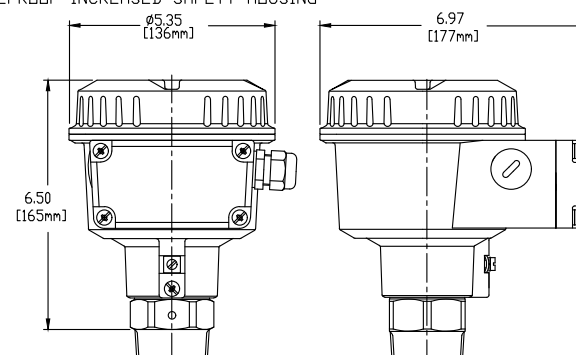
REVISION TABLE			
REVISION	ECD NO.	APP'D	DATE
AB	RTC1076043	D. ISAKSSON	9/28/2020
DESCRIPTION			
PHASE 2 RELEASED			



FLAMEPROOF HOUSING



FLAMEPROOF INCREASED SAFETY HOUSING



72015 ROSEMOUNT INC.
ROSEMOUNT INC. CERTIFIES
THESE DRAWINGS ARE IN
CONFORMANCE WITH THE
ROSEMOUNT ENGINEERING
SPECIFICATIONS.
UNIT NOTES IN INCHES (mm).

REFERENCE ROSEMOUNT
PRODUCT DATA SHEETS FOR
PRODUCT SPECIFICATIONS.
CLICK HERE

3RD ANGLE

SIZE A2 SCALE 1:2.5

EMERSON

TITLE DRG, TYPE 1, SOLID LEVEL SWITCH

DR. PC-IM 7/30/2020 DRAWING NO. 02535-1002
APP'D. CT 7/30/2020

CAD MAINTAINED SHEET 1 OF 1