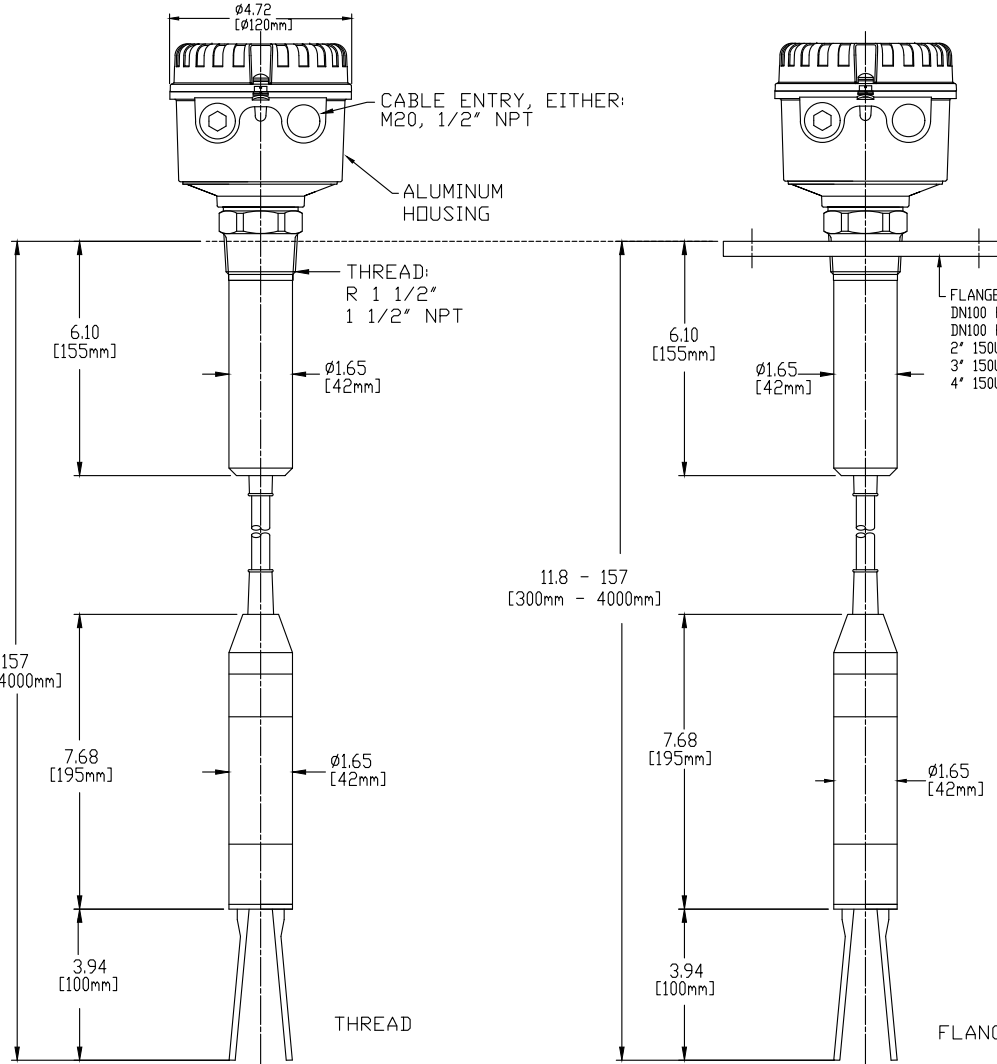
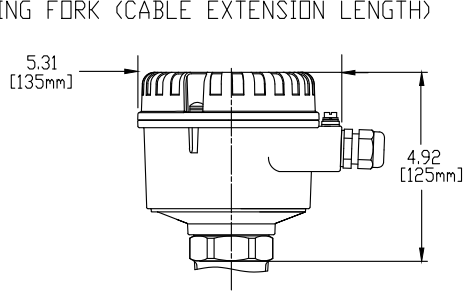


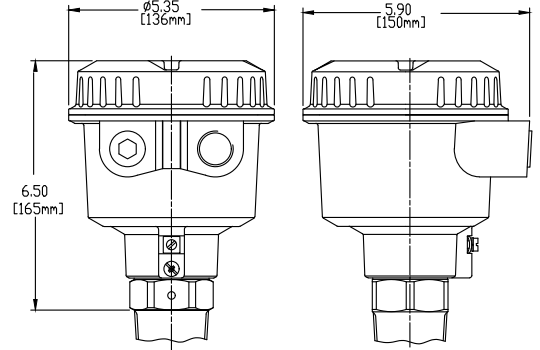
ROSEMOUNT 2521S SOLIDS LEVEL SWITCH
VIBRATING FORK (CABLE EXTENSION LENGTH)

REVISION TABLE			
REVISION	ECD NO.	APP'D	DATE
AB	RTC1076043	D. ISAKSSDN	9/28/2020
DESCRIPTION			
PHASE 2 RELEASED			

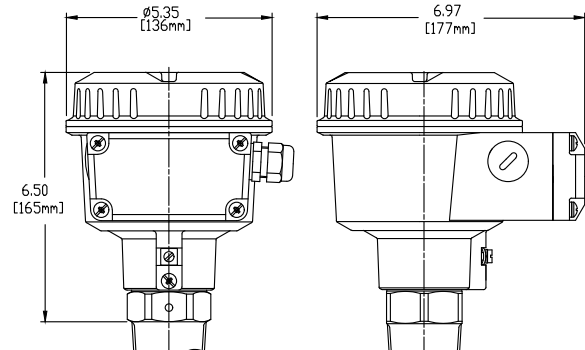


FLANGE:
 DN100 PN6 EN 1092-1 (MAX 6 bar (87 psi))
 DN100 PN16 EN 1092-1 (MAX 16 bar (232 psi))
 2' 150lb ANSI B16.5 (MAX 10 bar (145 psi))
 3' 150lb ANSI B16.5 (MAX 10 bar (145 psi))
 4' 150lb ANSI B16.5 (MAX 10 bar (145 psi))

FLAMEPROOF HOUSING



FLAMEPROOF INCREASED SAFETY HOUSING



© 2015 ROSEMOUNT INC.
 ROSEMOUNT INC. CERTIFIES
 THESE DRAWINGS ARE IN
 ACCORDANCE WITH THE
 ROSEMOUNT ENGINEERING
 SPECIFICATIONS.
 UNIT NOTES IN INCHES (mm).

REFERENCE ROSEMOUNT
 PRODUCT DATA SHEETS FOR
 PRODUCT SPECIFICATIONS.
 CLICK HERE

3RD ANGLE		SIZE	A2	SCALE	1:2.5
EMERSON					
TITLE DRG, TYPE 1, SOLID LEVEL SWITCH					
DR.	PC-IM	7/30/2020	DRAWING NO.	02521-1004	
APP'D	CT	7/30/2020			
CAD MAINTAINED					SHEET 1 OF 1