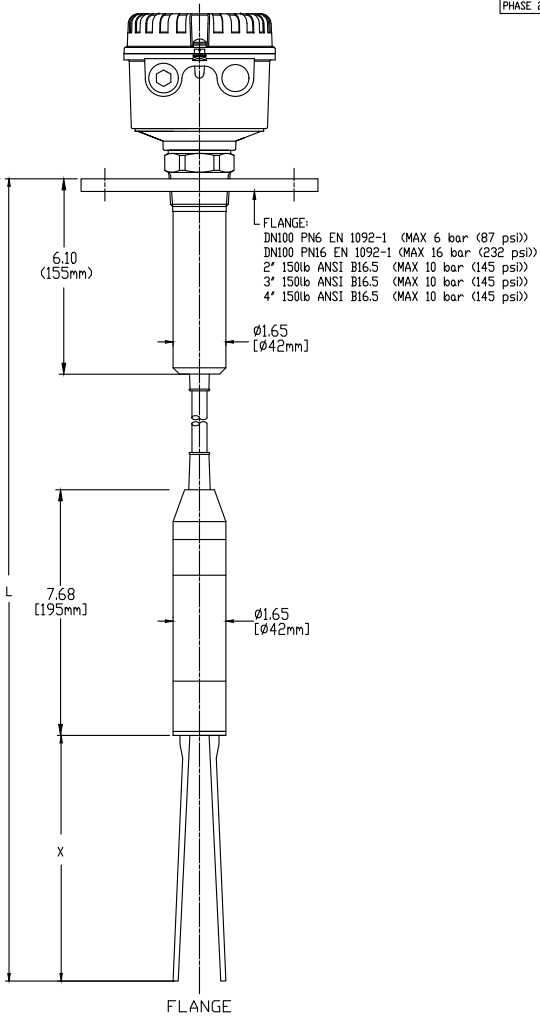
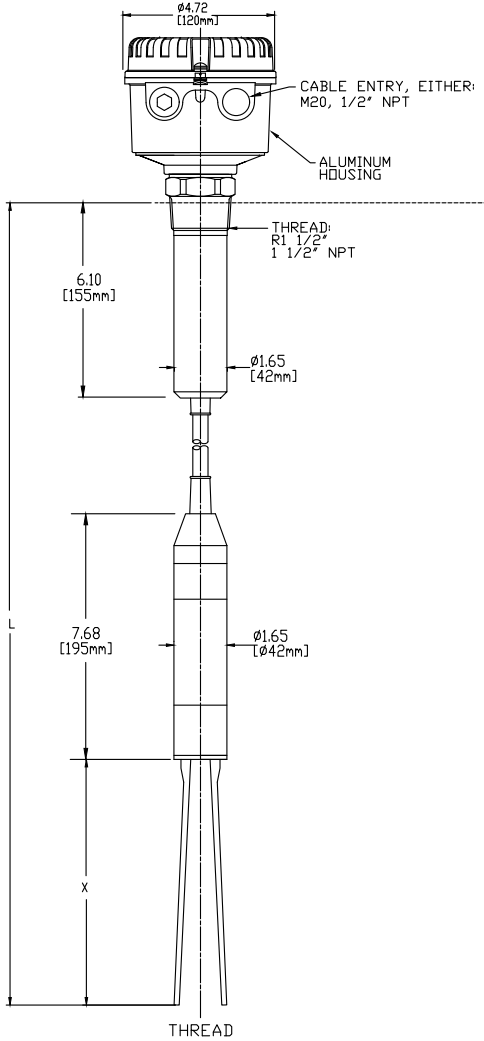
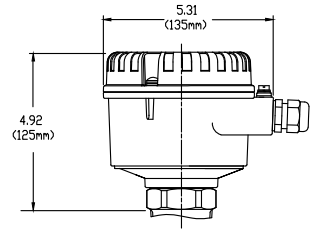


ROSEMOUNT 2521H SOLIDS LEVEL SWITCH  
VIBRATING FORK (CABLE EXTENSION, ENHANCED FORK SENSITIVITY)

REVISION TABLE			
REVISION	ECD NO.	APP'D	DATE
AB	RTC1076043	D. ISAKSSON	9/28/2020
DESCRIPTION			
PHASE 2 RELEASED			

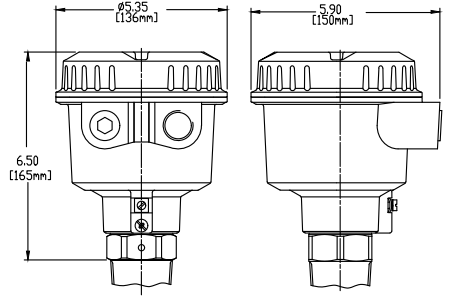


LENGTH L	
29.6'	(750mm) MIN
78.7'	(20000mm) MAX
394'	(10000mm) MAX
(ELECTRONIC MODULE NAMUR IEC 60947-5-6 2 WIRE)	

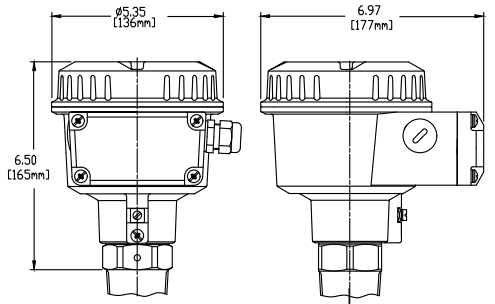
FORK LENGTH X	
6.69'	(170mm) NO OPTIONS
7.68'	(195mm) OPTIONS: VIBRASIL 70 VIBRASIL 90

OPTIONS ONLY AVAILABLE WITH ELECTRONICS MODULE 'RELAIS SPDT'  
VIBRASIL 70 ONLY AVAILABLE WITH FLANGE DN100/4"

FLAMEPROOF HOUSING



FLAMEPROOF INCREASED SAFETY HOUSING



72015 ROSEMOUNT INC. ROSEMOUNT INC. CERTIFIES THESE DRAWINGS ARE IN CONFORMANCE WITH THE ROSEMOUNT ENGINEERING SPECIFICATIONS. UNIT NOTES IN INCHES (mm). REFERENCE ROSEMOUNT PRODUCT DATA SHEETS FOR PRODUCT SPECIFICATIONS. CLICK HERE	3RD ANGLE		SIZE A2	SCALE 1:2.5
	TITLE DRG, TYPE 1, SOLID LEVEL SWITCH			
	DR. APP'D CAD MAINTAINED	PC-IM CT	7/30/2020 7/30/2020	DRAWING NO. 02521-1007