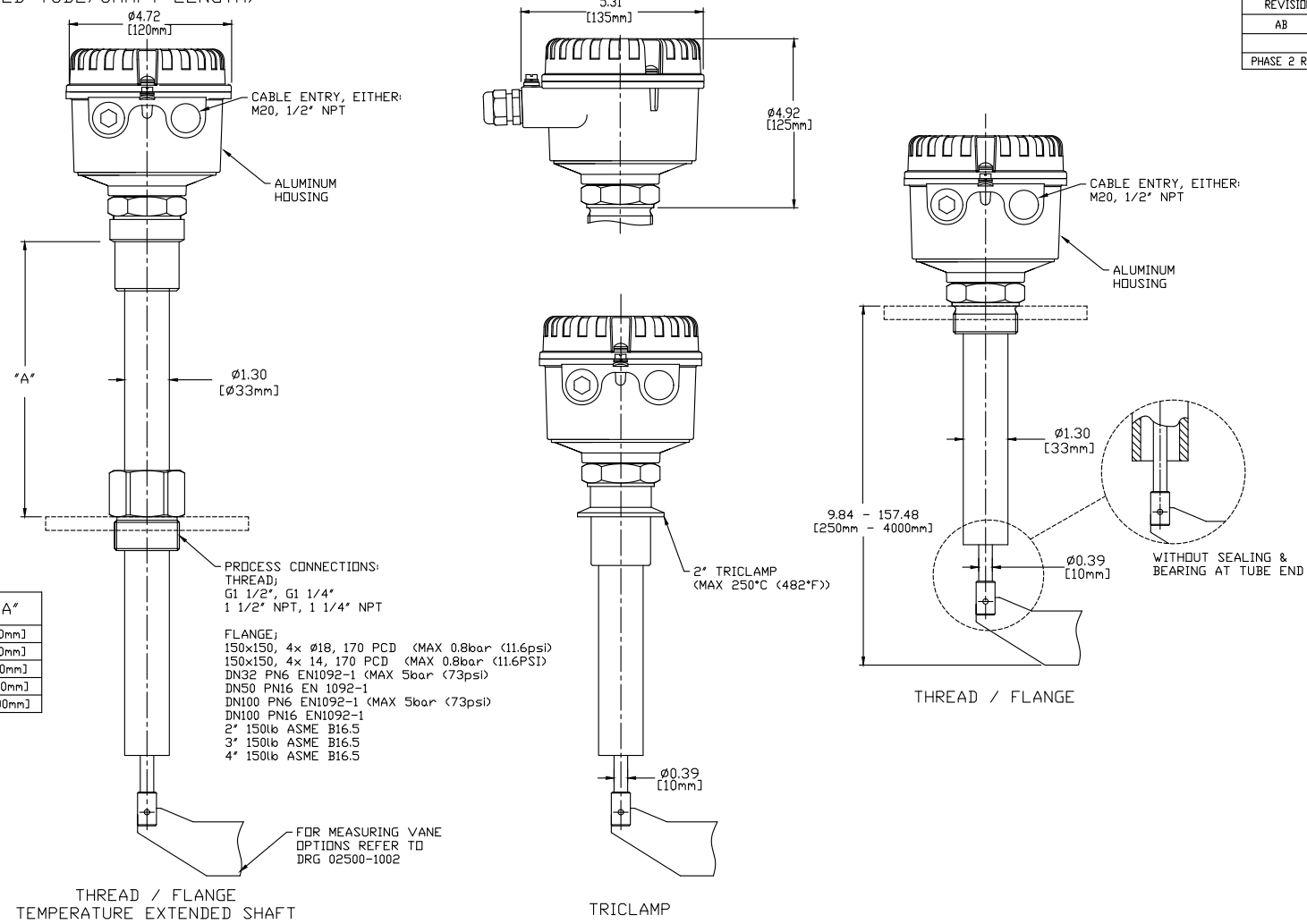


ROSEMOUNT 2501 (M) SOLIDS LEVEL SWITCH
 ROTATING PADDLE (EXTENDED TUBE/SHAFT LENGTH) STANDARD HOUSING

REVISION TABLE			
REVISION	ECD NO.	APP'D	DATE
AB	RTC1076043	D. ISAKSSON	9/28/2020
DESCRIPTION			
PHASE 2 RELEASED			



PROCESS TEMPERATURE	DIMN "A"
302°F (150°C)	7.87" [200mm]
482°F (250°C)	7.87" [200mm]
350°F (662°C)	11.84" [300mm]
1112°F (600°C)	15.74" [400mm]
2012°F (1100°C)	27.56" [700mm]

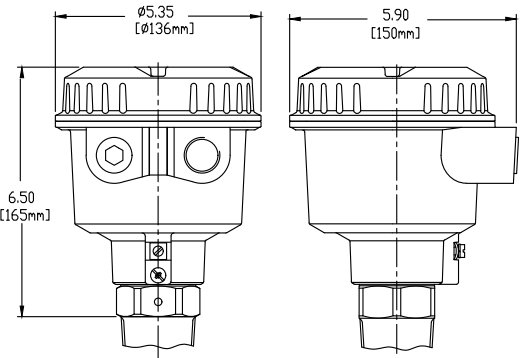
PROCESS CONNECTIONS:
 THREAD;
 G1 1/2", G1 1/4"
 1 1/2" NPT, 1 1/4" NPT

FLANGE;
 150x150, 4x Ø18, 170 PCD (MAX 0.8bar (11.6psi))
 150x150, 4x 14, 170 PCD (MAX 0.8bar (11.6PSI))
 DN32 PN6 EN1092-1 (MAX 5bar (73psi))
 DN50 PN16 EN 1092-1
 DN100 PN6 EN1092-1 (MAX 5bar (73psi))
 DN100 PN16 EN1092-1
 2" 150lb ASME B16.5
 3" 150lb ASME B16.5
 4" 150lb ASME B16.5

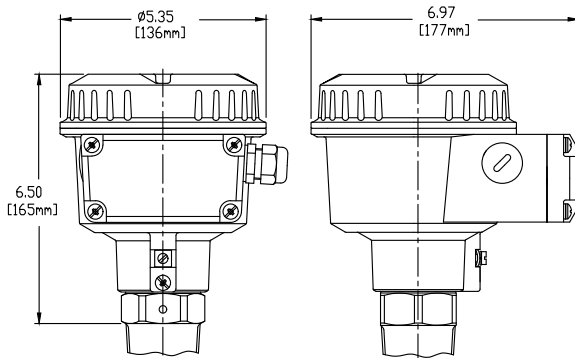
THREAD / FLANGE
 TEMPERATURE EXTENDED SHAFT

TRICLAMP

FLAMEPROOF HOUSING



FLAMEPROOF INCREASED SAFETY HOUSING



©2015 ROSEMOUNT INC.
 ROSEMOUNT INC. CERTIFIES
 THESE DRAWINGS ARE IN
 CONFORMANCE WITH THE
 ROSEMOUNT ENGINEERING
 SPECIFICATIONS.
 UNIT NOTES IN INCHES (mm).

REFERENCE ROSEMOUNT
 PRODUCT DATA SHEETS FOR
 PRODUCT SPECIFICATIONS.
 CLICK HERE

3RD ANGLE		SIZE	A2	SCALE	1:2.5
EMERSON					
TITLE DRG, TYPE 1, SOLID LEVEL SWITCH					
DR.	PC-IM	7/30/2020	DRAWING NO.	02501-1003	
APP'D	CT	7/30/2020			
CAD MAINTAINED			SHEET 1 OF 1		