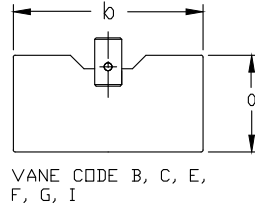
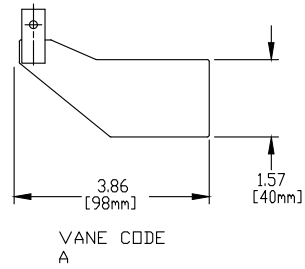
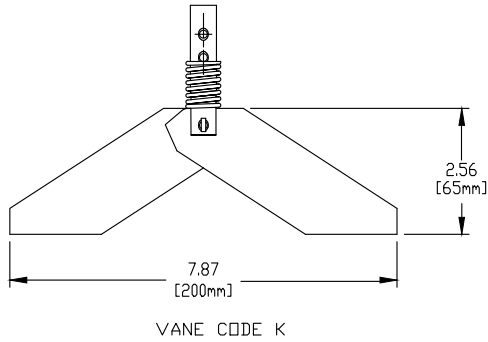
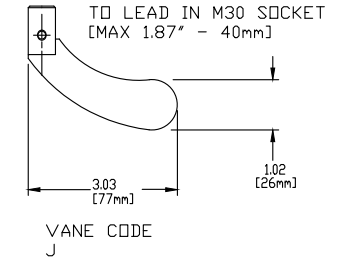
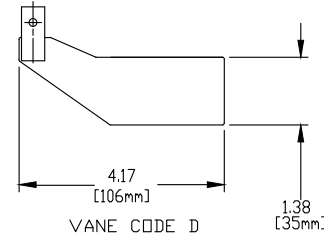


ROSEMOUNT 2500 SOLIDS LEVEL SWITCH  
ROTATING PADDLE ONLY

REVISION TABLE			
REVISION	ECO NO.	APP'D	DATE
AB	RTCI076043	D. ISAKSSON	9/28/2020
DESCRIPTION			
PHASE 2 RELEASED			

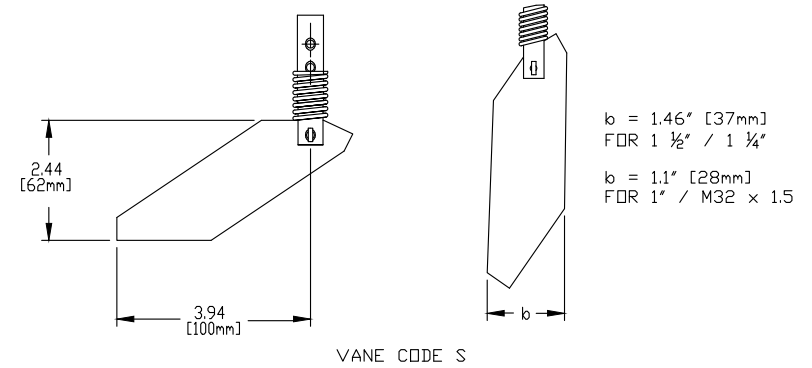
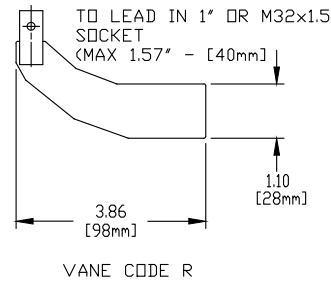
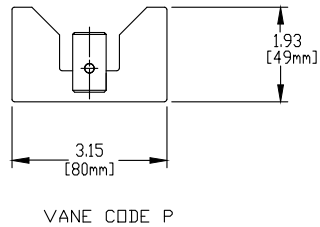
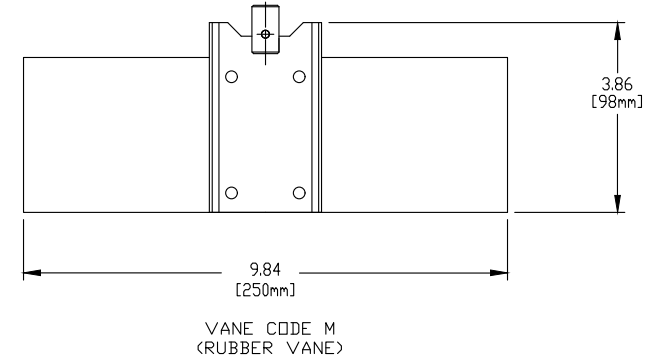


CODE	TYPE	a	b
B	RECTANGULAR	1.97" [50mm]	3.86" [98mm]
C		5.90" [150mm]	9.84" [250mm]
E		9.84" [250mm]	3.86" [98mm]
F		3.86" [98mm]	5.90" [150mm]
G		5.90" [150mm]	9.84" [250mm]
I		9.84" [250mm]	



b = 1.46" [37mm]  
FOR 1 1/2" / 1 1/4"

b = 1.1" [28mm]  
FOR 1" / M32 x 1.5



72015 ROSEMOUNT INC. ROSEMOUNT ENGINEERING THESE DRAWINGS ARE IN ACCORDANCE WITH ROSEMOUNT ENGINEERING SPECIFICATIONS. UNIT NOTES IN INCHES (mm). REFERENCE ROSEMOUNT PRODUCT DATA SHEETS FOR PRODUCT SPECIFICATIONS. CLICK HERE	3RD ANGLE	SIZE A2	SCALE 1:2
	TITLE DRG, TYPE 1, MEASUREMENT VANES		
	DR PC-IN APP'D CT	DATE 6/12/2020	DRAWING NO. 02500-1002