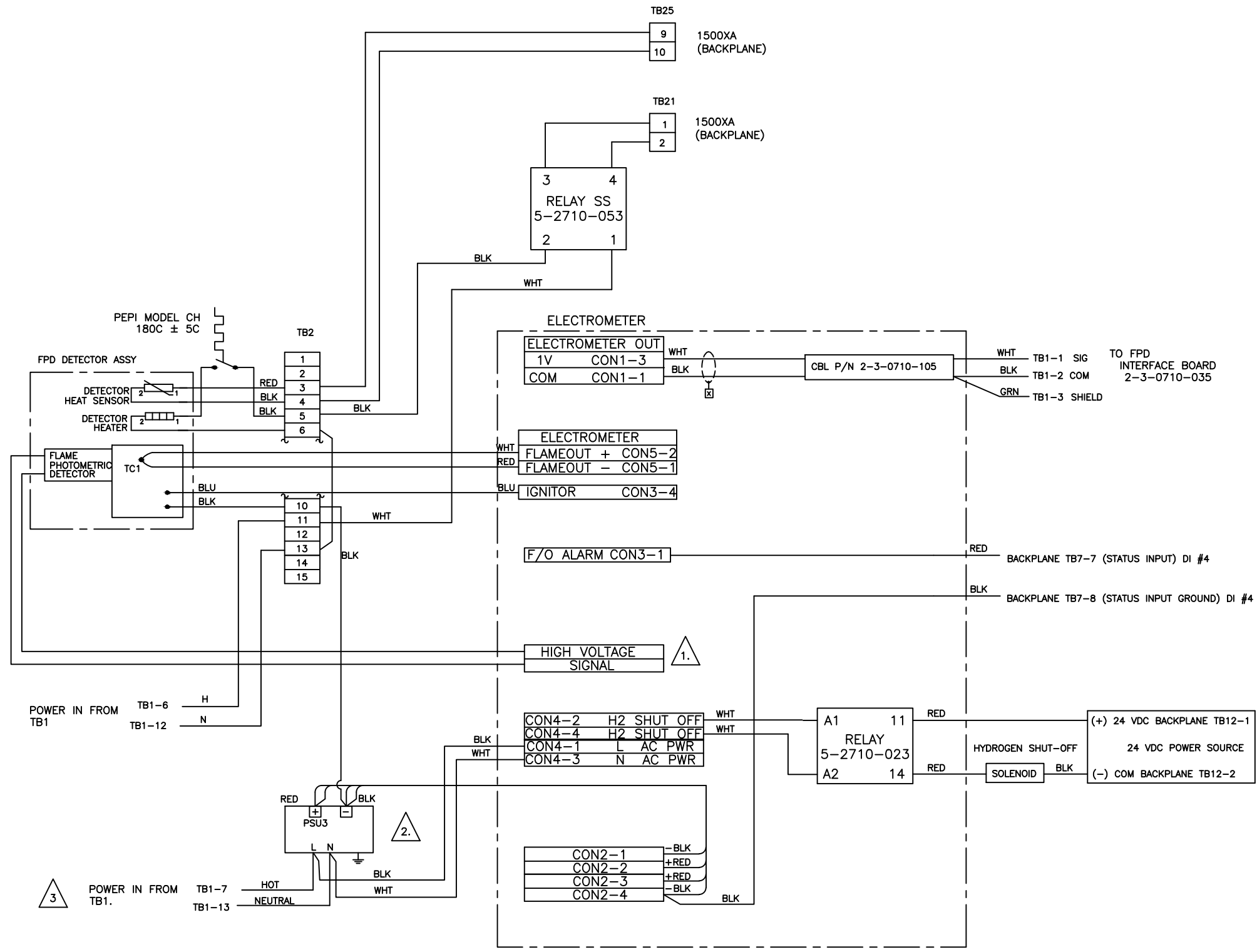


- NOTES:
1. HIGH VOLTAGE SIGNAL CABLES, COAX CABLES WITH BNC CONNECTORS
NOTE CABLE IDENT'S WHEN FITTING
 2. MAIN SUPPLY INPUT COUPLED WITH PASSIVE FERRITE CORE.
 3. APPLY 120VAC ONLY. FOR 240VAC OPTION ENSURE THERE IS A STEP DOWN TRANSFORMER



3 POWER IN FROM TB1-7 HOT TB1-13 NEUTRAL

SI METRIC		THIS DRAWING IN DESIGN AND DETAIL IS OUR PROPERTY AND MUST NOT BE USED EXCEPT IN CONNECTION WITH OUR WORK. IT SHALL NOT BE REPRODUCED AND SHALL BE RETURNED TO US ON DEMAND. ALL RIGHTS ARE RESERVED.			
THIRD ANGLE PROJECTION		GEOMETRIC TOLERANCES & DIMENSIONS PER ANSI Y14.5 LATEST REVISION		TITLE	
		UNLESS OTHERWISE NOTED ALL DIMENSIONS IN INCHES		INTERNAL WIRING FPD MODULE 1500XA	
MATERIAL	N/A	B	07/27/17	GM	ECO-5007858
FINISH	N/A	A	07/24/17	GM	RELEASED
PROJ. FILE NO.	- NONE	REV	DATE	DRN	DESCRIPTION
FILENAME: 9R00005B.dwg, DATE: 07/28/17, TIME: 11:09 A.M.		CHD	LB	DATE	07/26/17
		APPD	LB	DATE	07/26/17
		DRN	GM	DATE	07/26/17
		CHD	LB	DATE	07/26/17
		APPD	LB	DATE	07/26/17
		SCALE	NTS	P/N	
		SHT	1	OF	1