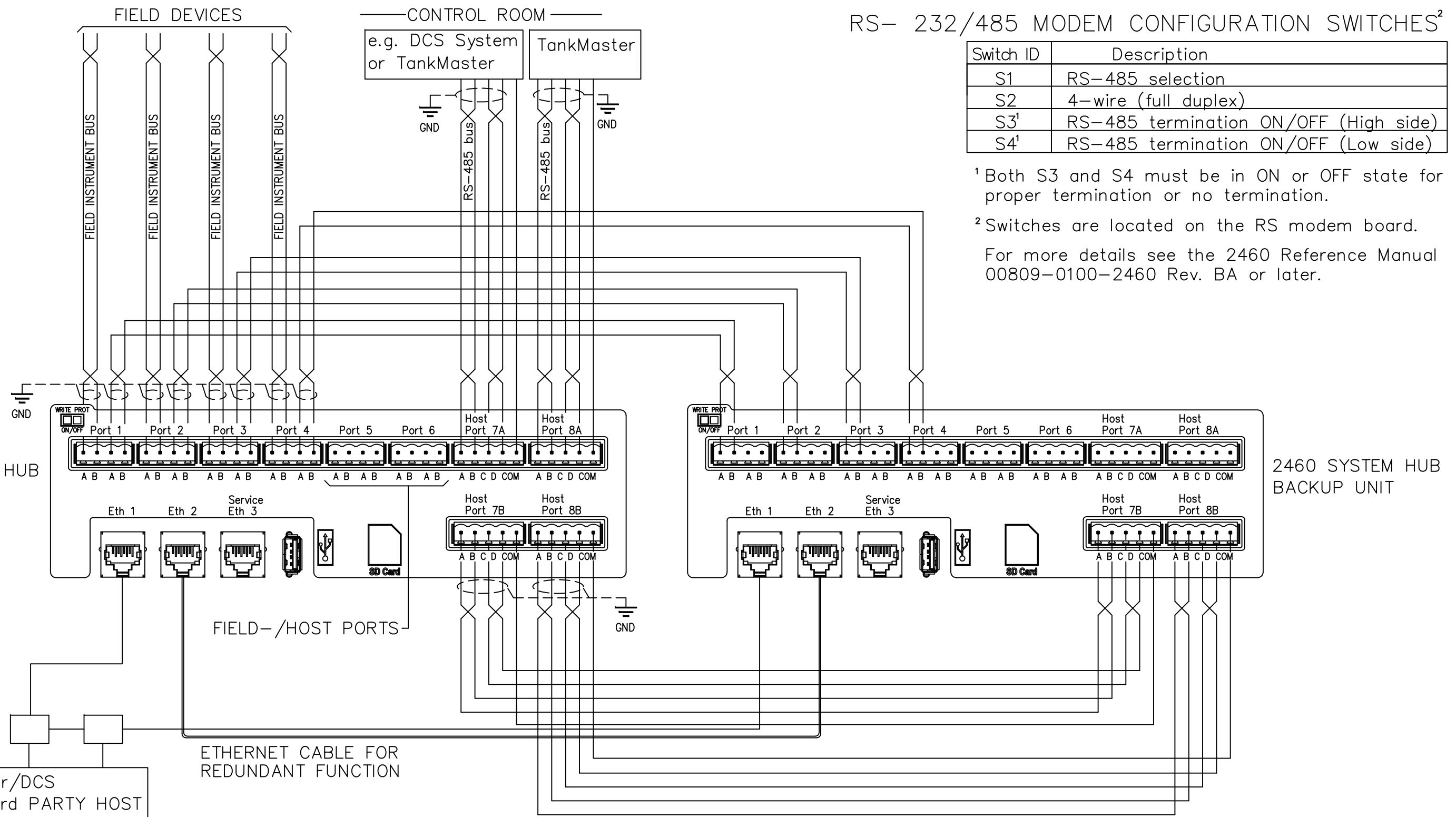


EXAMPLE WITH TRL2 BUS

- 6 SHIELDED ETHERNET CABLES CAT5 OR CAT6, STRAIGHT OR CROSSOVER TYPE SHOULD BE USED.
- 5 FOR MORE DETAILS REGARDING ELECTRICAL CONNECTIONS SEE DRAWING D7000001-928.
- 4 FOR BEST EMC PERFORMANCE KEEP ALL SHIELDS CONNECTIONS AS SHORT AS POSSIBLE.
- 3 A SINGLE TWISTED & SHIELDED PAIR, INDIVIDUAL SHIELDING IS MANDATORY IF TWO BUSES RUN IN THE SAME CABLE.
- 2 CONNECT SHIELD TO GROUND AT ONE END ONLY, OTHERWISE A GROUND LOOP MAY OCCUR.
- 1 KEEP INSULATION PRESERVED IN AREA AROUND HOUSING INLETS TO AVOID CONTACT BETWEEN CABLES AND SHARP EDGES. THE SHIELD MUST BE ISOLATED FROM THE HOUSING.

ISSUED BY EMe-BL	WEEK 1541	PRODUCT CODE 2460	FILE ACAD	INSTALLATION DRAWING TITLE EL. INST. DWG REDUNDANT 2460 SYST. CONNECTION			
APPROVED BY EMe-MH	WEEK 1542	ORIGINAL DWG NO. -	SCALE -	DOC TYPE 2	DWG NO. D7000003-069	ISSUE 03	SHEET 01/04
ROSEMOUNT Tank Gauging				1 ST ANGLE			
				<small>THE COPYRIGHT/OWNERSHIP OF THIS DOCUMENT IS AND WILL REMAIN OURS. THE DOCUMENT MUST NOT BE USED WITHOUT OUR AUTHORIZATION OR BROUGHT TO THE KNOWLEDGE OF A THIRD PARTY. CONTRAVENTION WILL BE PROSECUTED. ROSEMOUNT TANK RADAR AB, SWEDEN.</small>			



RS- 232/485 MODEM CONFIGURATION SWITCHES²

Switch ID	Description
S1	RS-485 selection
S2	4-wire (full duplex)
S3'	RS-485 termination ON/OFF (High side)
S4'	RS-485 termination ON/OFF (Low side)

¹ Both S3 and S4 must be in ON or OFF state for proper termination or no termination.

² Switches are located on the RS modem board.

For more details see the 2460 Reference Manual 00809-0100-2460 Rev. BA or later.

EXAMPLE WITH RS-485 BUS
4 WIRES ALTERNATIVE

- 7 RS485 2-WIRE IS THE PREFERRED CHOICE OVER 4-WIRE IN A REDUNDANT SYSTEM.
- 6 SHIELDED ETHERNET CABLES CAT5 OR CAT6, STRAIGHT OR CROSSOVER TYPE SHOULD BE USED
- 5 FOR MORE DETAILS REGARDING ELECTRICAL CONNECTIONS SEE DRAWING D7000001-928.
- 4 FOR BEST EMC PERFORMANCE KEEP ALL SHIELDS CONNECTIONS AS SHORT AS POSSIBLE.
- 3 A SINGLE TWISTED & SHIELDED PAIR, INDIVIDUAL SHIELDING IS MANDATORY IF TWO BUSES RUN IN THE SAME CABLE.
- 2 CONNECT SHIELD TO GROUND AT ONE END ONLY, OTHERWISE A GROUND LOOP MAY OCCUR.
- 1 KEEP INSULATION PRESERVED IN AREA AROUND HOUSING INLETS TO AVOID CONTACT BETWEEN CABLES AND SHARP EDGES. THE SHIELD MUST BE ISOLATED FROM THE HOUSING.

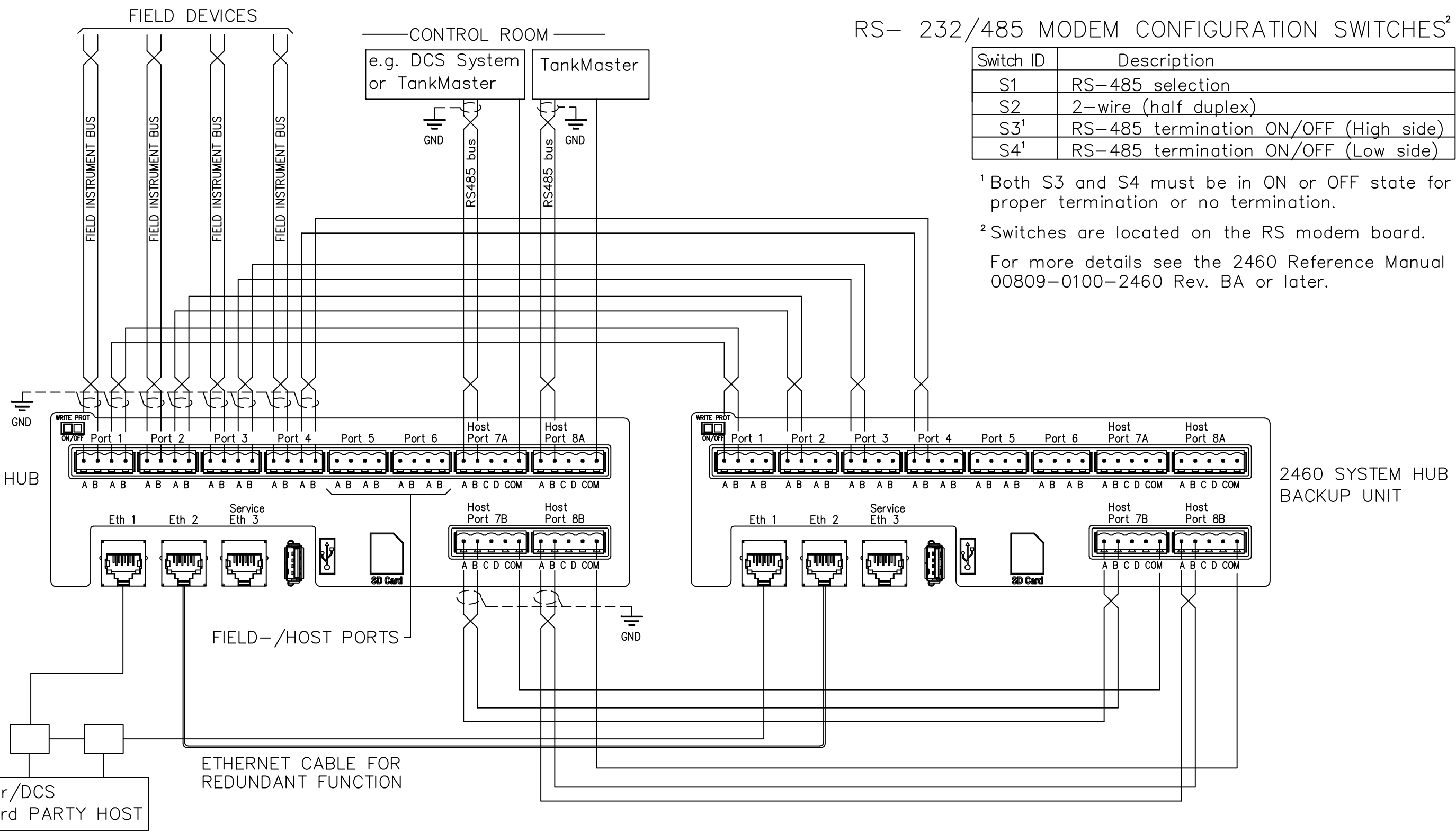
ISSUED BY EMe-BL	WEEK 1541	PRODUCT CODE 2460	FILE ACAD	INSTALLATION DRAWING TITLE EL. INST. DWG REDUNDANT 2460 SYST. CONNECTION			
APPROVED BY EMe-MH	WEEK 1542	ORIGINAL DWG NO. -	SCALE -	DOC TYPE 2	DWG NO. D7000003-069	ISSUE 03	SHEET 02/04

ROSEMOUNT
Tank Gauging

1 ST ANGLE

THE COPYRIGHT/OWNERSHIP OF THIS DOCUMENT IS AND WILL REMAIN OURS. THE DOCUMENT MUST NOT BE USED WITHOUT OUR AUTHORIZATION OR BROUGHT TO THE KNOWLEDGE OF A THIRD PARTY. CONTRAVENTION WILL BE PROSECUTED. ROSEMOUNT TANK RADAR AB, SWEDEN.

2018.12-21 Electronic Master - Printed Copies Uncontrolled - Emerson Proprietary



RS- 232/485 MODEM CONFIGURATION SWITCHES²

Switch ID	Description
S1	RS-485 selection
S2	2-wire (half duplex)
S3 ¹	RS-485 termination ON/OFF (High side)
S4 ¹	RS-485 termination ON/OFF (Low side)

¹ Both S3 and S4 must be in ON or OFF state for proper termination or no termination.

² Switches are located on the RS modem board.

For more details see the 2460 Reference Manual 00809-0100-2460 Rev. BA or later.

2460 SYSTEM HUB PRIMARY UNIT

2460 SYSTEM HUB BACKUP UNIT

NETWORK SWITCHES
TankMaster/DCS SYSTEM/3rd PARTY HOST

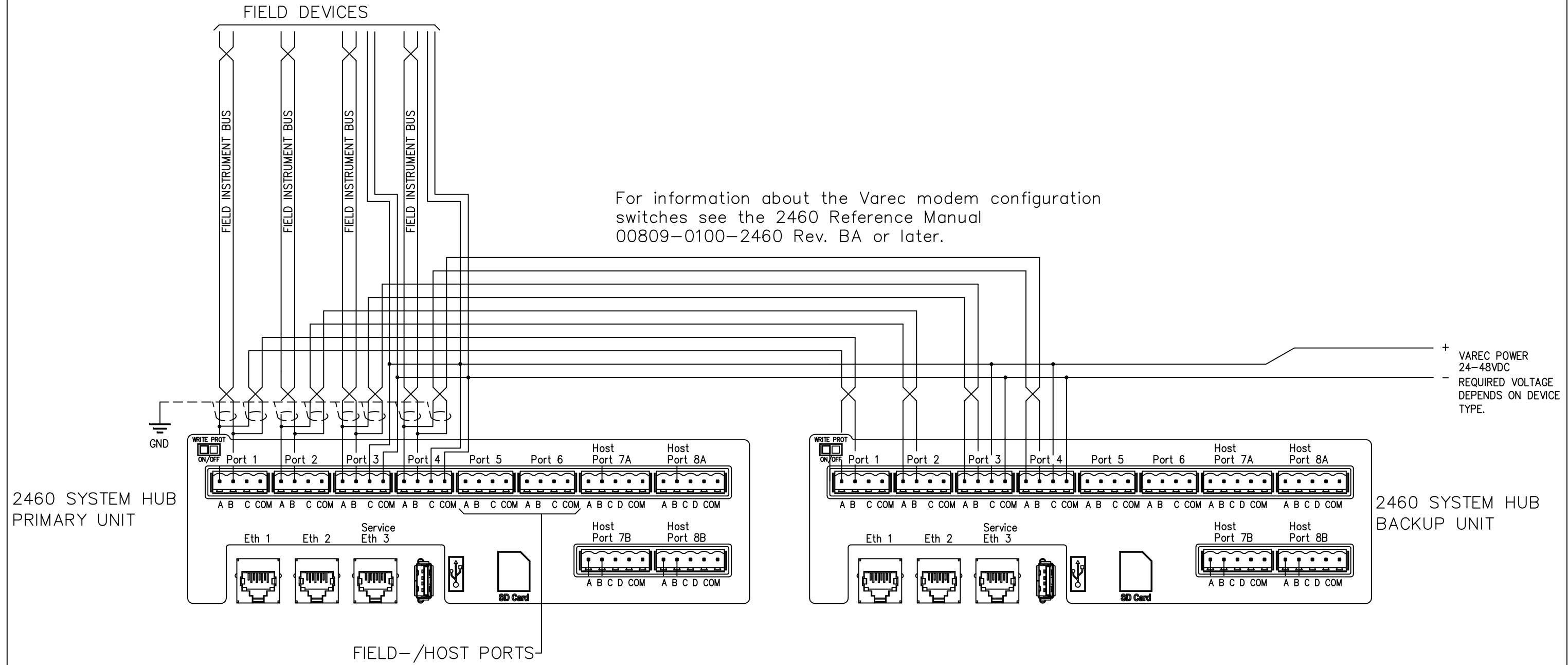
ETHERNET CABLE FOR REDUNDANT FUNCTION

- 6 SHIELDED ETHERNET CABLES CAT5 OR CAT6, STRAIGHT OR CROSSOVER TYPE SHOULD BE USED
- 5 FOR MORE DETAILS REGARDING ELECTRICAL CONNECTIONS SEE DRAWING D7000001-928.
- 4 FOR BEST EMC PERFORMANCE KEEP ALL SHIELDS CONNECTIONS AS SHORT AS POSSIBLE.
- 3 A SINGLE TWISTED & SHIELDED PAIR, INDIVIDUAL SHIELDING IS MANDATORY IF TWO BUSES RUN IN THE SAME CABLE.
- 2 CONNECT SHIELD TO GROUND AT ONE END ONLY, OTHERWISE A GROUND LOOP MAY OCCUR.
- 1 KEEP INSULATION PRESERVED IN AREA AROUND HOUSING INLETS TO AVOID CONTACT BETWEEN CABLES AND SHARP EDGES. THE SHIELD MUST BE ISOLATED FROM THE HOUSING.

EXAMPLE WITH RS-485 BUS
2 WIRES ALTERNATIVE

ISSUED BY EMe-BL	WEEK 1541	PRODUCT CODE 2460	FILE ACAD	INSTALLATION DRAWING TITLE EL. INST. DWG REDUNDANT 2460 SYST. CONNECTION			
APPROVED BY EMe-MH	WEEK 1542	ORIGINAL DWG NO. -	SCALE -	DOC TYPE 2	DWG NO. D7000003-069	ISSUE 03	SHEET 03/04
				1 ST ANGLE			
				<small>THE COPYRIGHT/OWNERSHIP OF THIS DOCUMENT IS AND WILL REMAIN OURS. THE DOCUMENT MUST NOT BE USED WITHOUT OUR AUTHORIZATION OR BROUGHT TO THE KNOWLEDGE OF A THIRD PARTY. CONTRAVENTION WILL BE PROSECUTED. ROSEMOUNT TANK RADAR AB, SWEDEN.</small>			

2018.12-21 Electronic Master - Printed Copies Uncontrolled - Emerson Proprietary



For information about the Varec modem configuration switches see the 2460 Reference Manual 00809-0100-2460 Rev. BA or later.

- 8 4-WIRE INTERFACES USE SPECIAL TERMINAL BOARD, CHECK TERMINAL NUMBERING BEFORE INSTALLATION.
- 7 HOST PORT CONNECTION ACCORDING TO SHEET 01-03.
- 6 SHIELDED ETHERNET CABLES CAT5 OR CAT6, STRAIGHT OR CROSSOVER TYPE SHOULD BE USED.
- 5 FOR MORE DETAILS REGARDING ELECTRICAL CONNECTIONS SEE DRAWING D7000001-928.
- 4 FOR BEST EMC PERFORMANCE KEEP ALL SHIELDS CONNECTIONS AS SHORT AS POSSIBLE.
- 3 A SINGLE TWISTED & SHIELDED PAIR, INDIVIDUAL SHIELDING IS MANDATORY IF TWO BUSES RUN IN THE SAME CABLE.
- 2 CONNECT SHIELD TO GROUND AT ONE END ONLY, OTHERWISE A GROUND LOOP MAY OCCUR.
- 1 KEEP INSULATION PRESERVED IN AREA AROUND HOUSING INLETS TO AVOID CONTACT BETWEEN CABLES AND SHARP EDGES. THE SHIELD MUST BE ISOLATED FROM THE HOUSING.

EXAMPLE WITH VAREC ON PORT 3 AND 4 AND OTHER 2-WIRE INTERFACE ON PORT 1-2.

ISSUED BY EMe-BL	WEEK 1541	PRODUCT CODE 2460	FILE ACAD	INSTALLATION DRAWING TITLE EL. INST. DWG REDUNDANT 2460 SYST. CONNECTION			
APPROVED BY EMe-MH	WEEK 1542	ORIGINAL DWG NO. -	SCALE -	DOC TYPE 2	DWG NO. D7000003-069	ISSUE 03	SHEET 04/04
ROSEMOUNT Tank Gauging			1 ST ANGLE 	THE COPYRIGHT/OWNERSHIP OF THIS DOCUMENT IS AND WILL REMAIN OURS. THE DOCUMENT MUST NOT BE USED WITHOUT OUR AUTHORIZATION OR BROUGHT TO THE KNOWLEDGE OF A THIRD PARTY. CONTRAVENTION WILL BE PROSECUTED. ROSEMOUNT TANK RADAR AB, SWEDEN.			