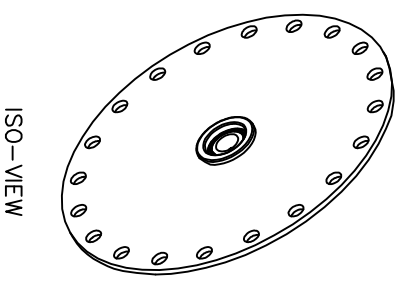
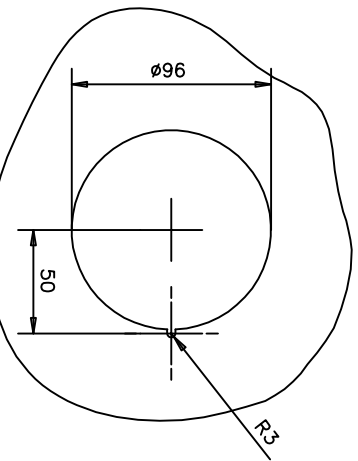
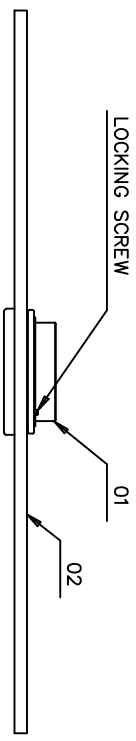
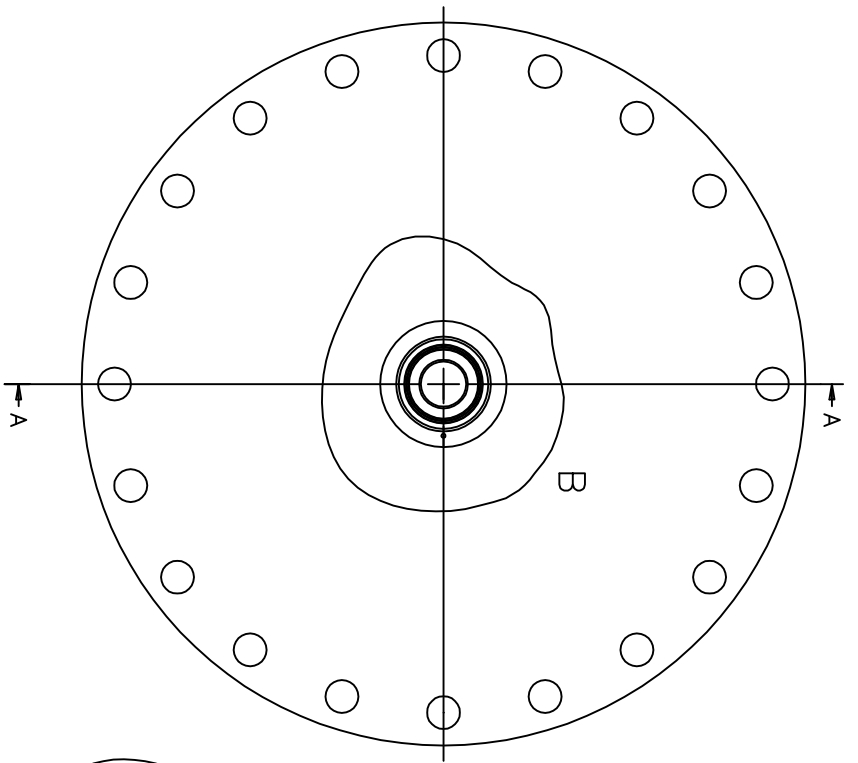
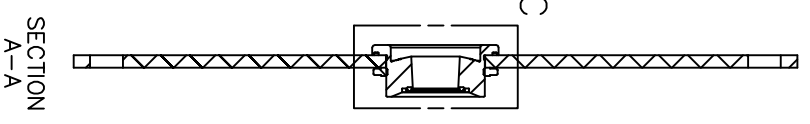


NUT M95x2  
TORQUE: 50Nm



03	O-RING SEAL	1	VITON	RTR
02	TANK FLANGE/COVER	1		CUSTOMER
01	FLANGE BALL T30	1	AISI 316L	RTR
POS	ITEM DESCRIPTION	QTY	REMARK	SUPPLIER
ISSUED BY	WEEK	PRODUCT CODE	FILE	INSTALLATION DRAWING TITLE
GU-HF	0307	REX	ACAD	MECHANICAL INSTALLATION DWG
APPROVED BY	WEEK	ORIGINAL DWG NO.	SCALE	FLANGE BALL T30
GST-TK	0307	9240003-947	-	
1 <sup>ST</sup> ANGLE	DOC TYPE	DWG NO.	ISSUE	SHEET
2	2	9240003-947	4	1/1

**ROSEMOUNT**  
Tank Gauging

THE COMPANY ASSUMES NO RESPONSIBILITY FOR THE ACCURACY OF THE INFORMATION CONTAINED HEREIN. THE INFORMATION IS PROVIDED AS IS WITHOUT WARRANTY OF ANY KIND. THE COMPANY ASSUMES NO RESPONSIBILITY FOR THE ACCURACY OF THE INFORMATION CONTAINED HEREIN. THE INFORMATION IS PROVIDED AS IS WITHOUT WARRANTY OF ANY KIND.