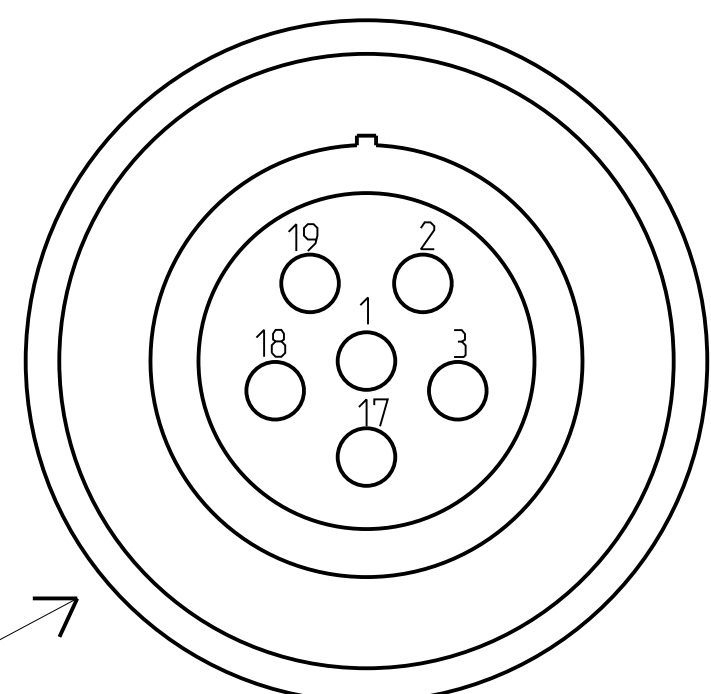
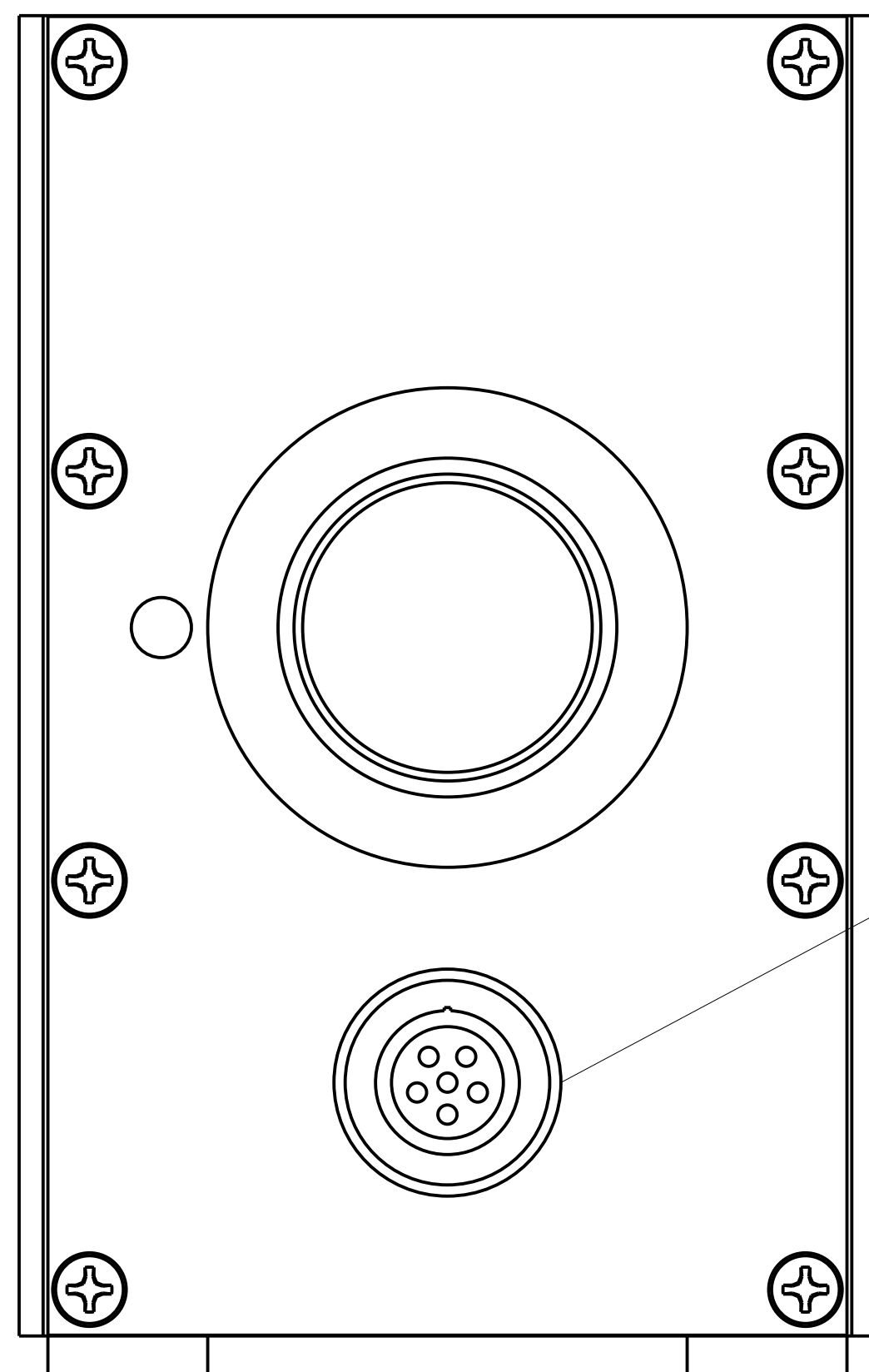
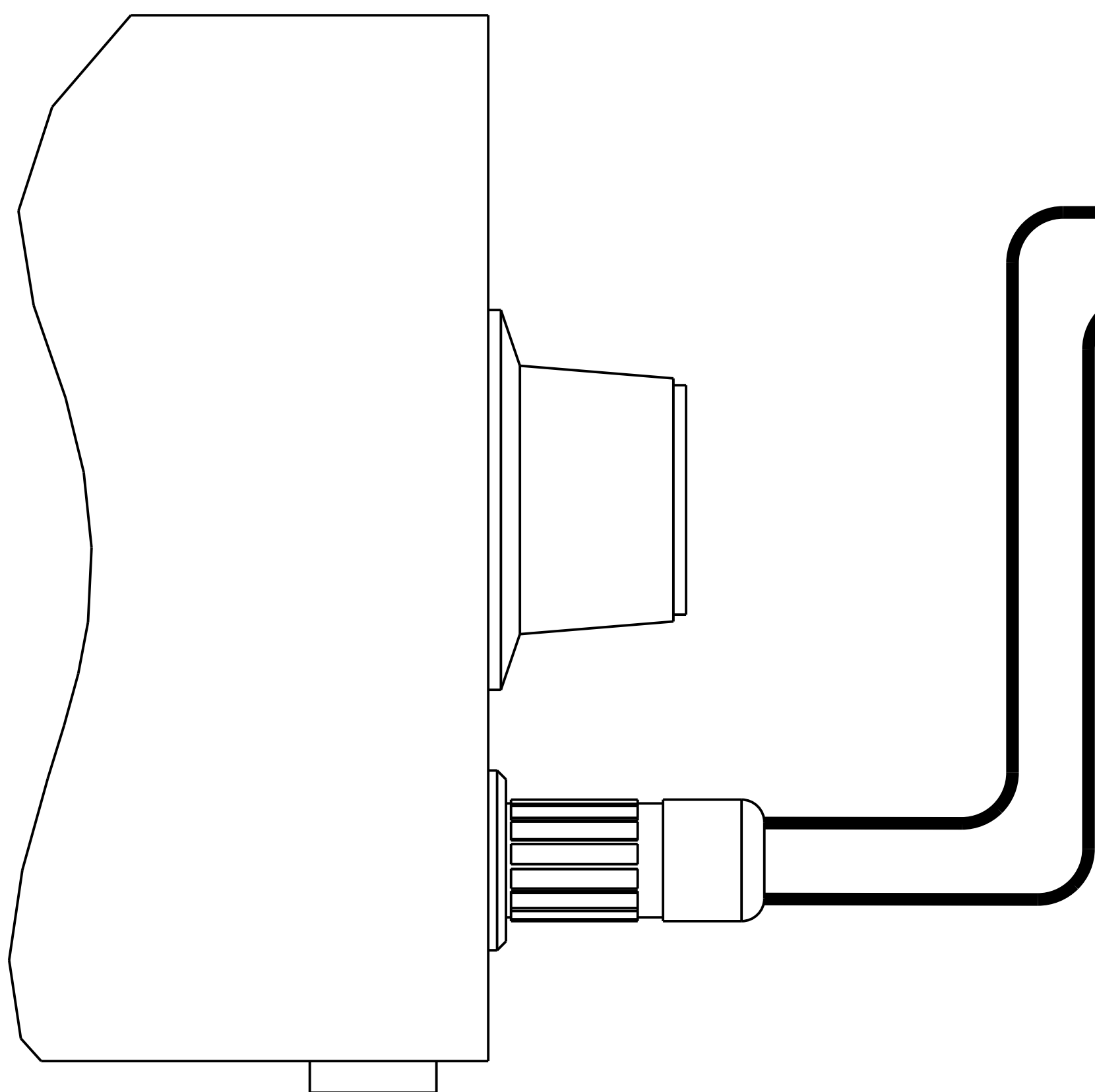
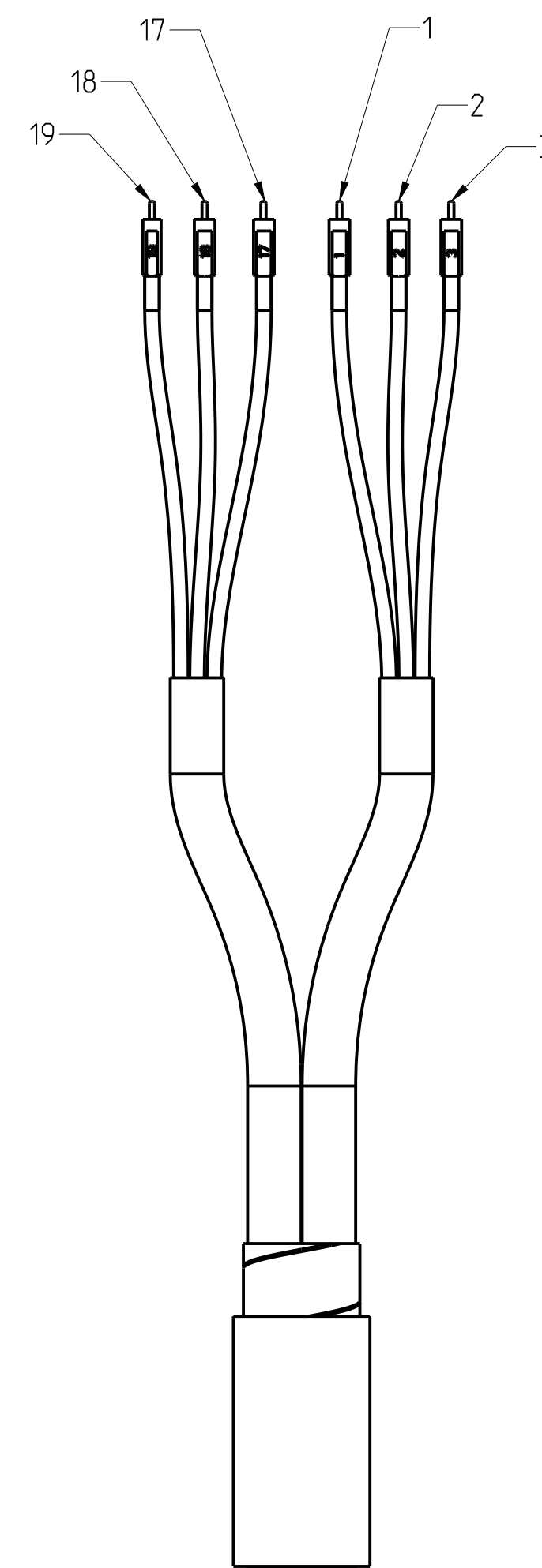
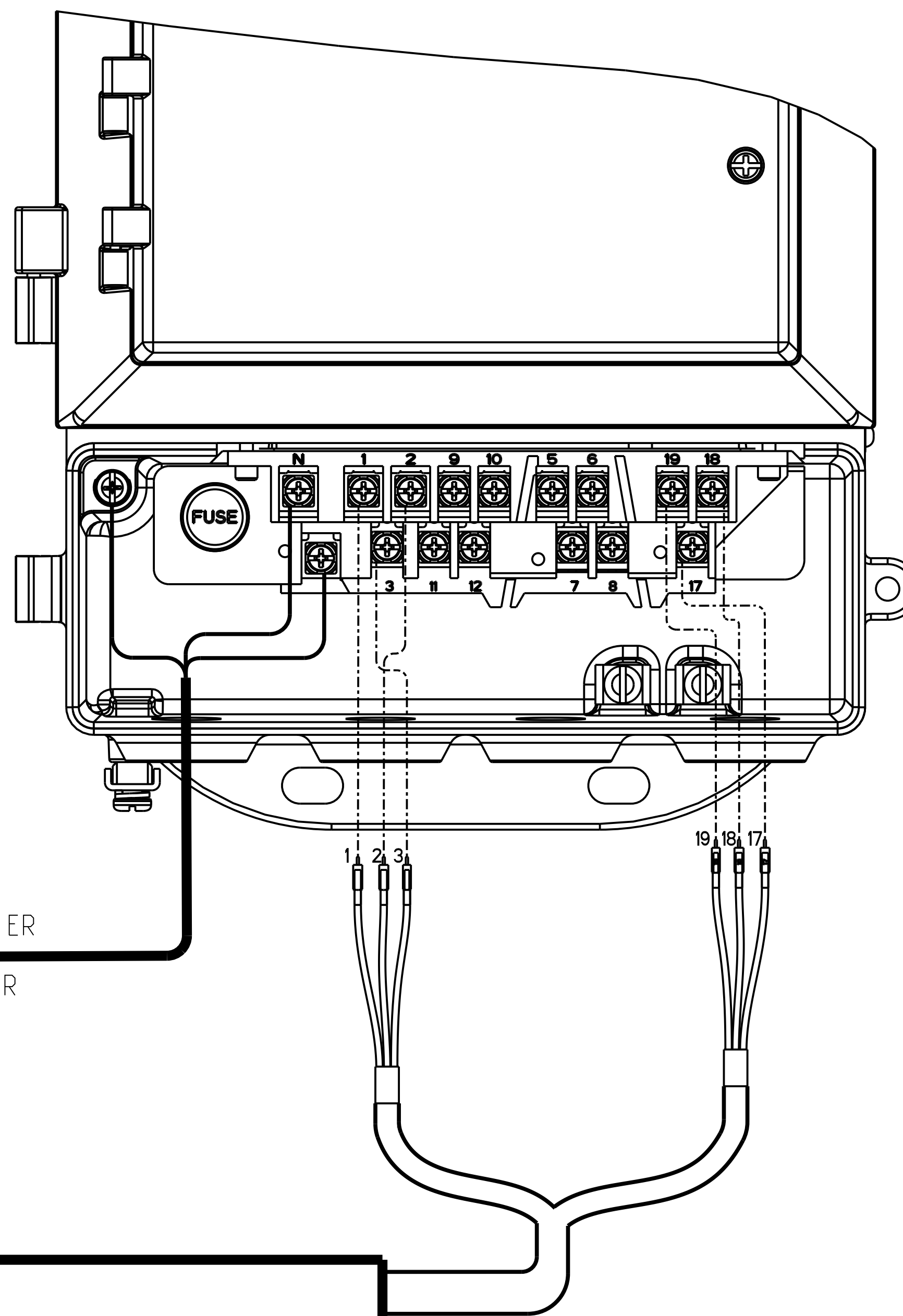


THIS SHEET FOR 8714D WITH 8712EM TRANSMITTER WIRING
USING THE INTERCONNECTING CABLES

REVISION TABLE			
REVISION	ECO NO.	APP'D	DATE
AA	XXXXX	A-L	5/24/23
DESCRIPTION			
INITIAL RELEASE			



Signal Connection Port
The connection mode is shown in the figure below



Use a six pin terminal plug type wiring assembly.
Match plugs to junction boxes according to 8712 digital conventions.

8712EM WIRING DIAGRAM

TERMINAL	DESCRIPTION	TERMINAL	DESCRIPTION
N / L2	- DC, AC	7	SEE OUTPUT DETAIL
L1	+ DC, AC	8	SEE OUTPUT DETAIL
GRND	PS GROUND	9	+ DIGITAL IN/OUT 2
1	COIL POSITIVE	10	- DIGITAL IN/OUT 2
2	COIL NEGATIVE	11	+ DIGITAL IN/OUT 1
3	COIL SHIELD	12	- DIGITAL IN/OUT 1
5	+ PULSE	17	ELECTRODE REFERENCE
6	- PULSE	18	ELECTRODE NEGATIVE
-		19	ELECTRODE POSITIVE

OUTPUT DETAIL

OUTPUT	ANALOG.HART INTERNAL POWER	ANALOG.HART EXTERNAL POWER	MODBUS RS-485	FIELDBUS
7	-	+	A	C
8	+	-	B	

- A REPLACE SAFETY COVER BEFORE USE.
- B DI/DO (IF ORDERED).
- C OUTPUT IS POLARITY INSENSITIVE.

WIRING NOTE

DRAIN/SHIELD OF COIL TERMINAL (SC, 3 OR TERMINAL GROUND) AND DRAIN/SHIELD OF ELECTRODE WIRING IS NOT CONNECTED ON FLOWTUBE END IN TYPICAL INSTALLATIONS.

AN ADDITIONAL CORRECTLY SIZED SAFETY EARTH CONDUCTOR WILL BE REQUIRED ON INSTALLATIONS REQUIRING SHIELDS GROUNDED TO CHASSIS/EARTH AT BOTH ENDS OF THE REMOTE CABLE. THERE MUST BE 1 OHM OR LESS OF RESISTANCE AT EACH END OF THE SAFETY GROUND AT THE DEVICE WITH RESPECT TO THE EARTH SAFETY GROUND.

CABLE WIRING REQUIRE USING CABLE GLANDS INSTALLED IN HOUSING CONDUITS. UNUSED CONDUITS SHOULD BE CLOSED

TERMINAL NUMBER AND CONDUCTOR INSULATOR WIRE COLOR

ROSEMOUNT COMBINATION
COIL/ELECTRODE CABLE COLOR CODING
PART NUMBERS
STANDARD 08714-0205-0002
STANDARD 08714-0205-0012

TERMINAL NUMBER	CONDUCTOR COLOR	INSULATOR COLOR
19	RED	1 BLACK
18	BLACK	2 RED
17	SHIELD	3 SHIELD

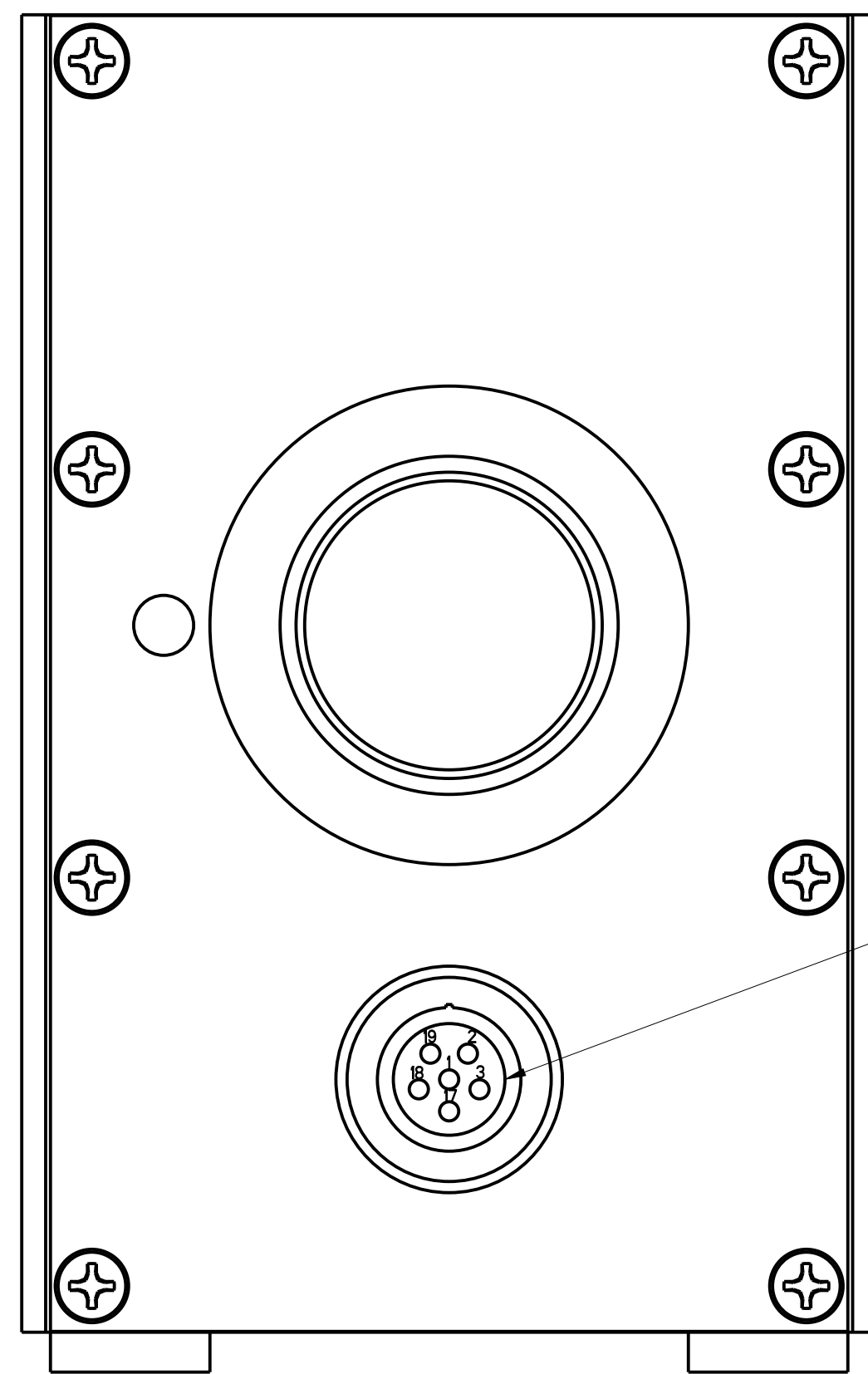
DRAIN (ELECTRODE SHIELD)

NOTES:
OUTSIDE DIAMETER OF ALL PART NUMBERS:
0.450"/11.43mm
JACKET COLOR/TEMPERATURE RATING
(1) GRAY - RATED -20°C TO 80°C
(2) BLACK - RATED -20°C TO 80°C DRY
60°C WET (SUBMERGED)

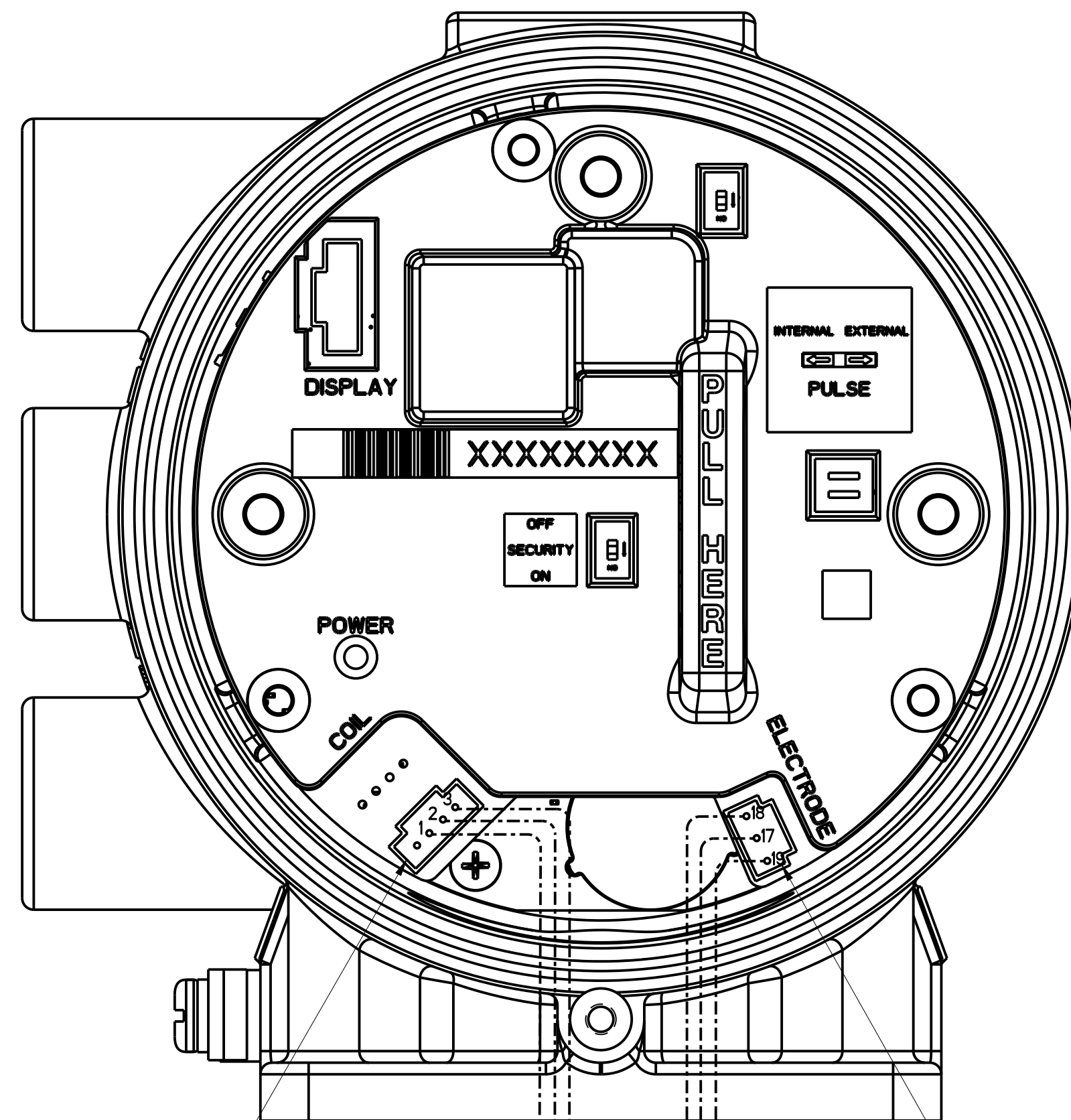
CONFIDENTIAL AND PROPRIETARY INFORMATION IS CONTAINED HEREIN AND MUST BE HANDLED ACCORDINGLY. ROSEMOUNT	SURFACE FINISH UNLESS OTHERWISE SPECIFIED 125 3RD ANGLE	SIZE D	SCALE 5/1	REV AA
ROSEMOUNT				
TITLE 8714D TRANSMITTER WIRING INSTALLATION DRAWING				
UNLESS OTHERWISE SPECIFIED DIMENSIONS IN INCHES (MM). REMOVE ALL BURRS AND SHARP EDGES.		DRAWING NO. 08714-1504		
-DEC TOLERANCES- .X ± .1 (2.5) .XX ± .02 (0.5) .XXX ± .010 (0.25)		APP'D A.L 5/24/23		
FRACTIONS ± 1/32	ANGLES ± 2°	DO NOT SCALE PRINT CAD MAINTAINED, (PRO/E) PRODUCT CODE - DOC TYPE - SHEET 1 OF 2		

DRAWING NO. 08714-1504

THIS SHEET FOR 8714D WITH 8732EM TRANSMITTER WIRING
USING THE INTERCONNECTING CABLES

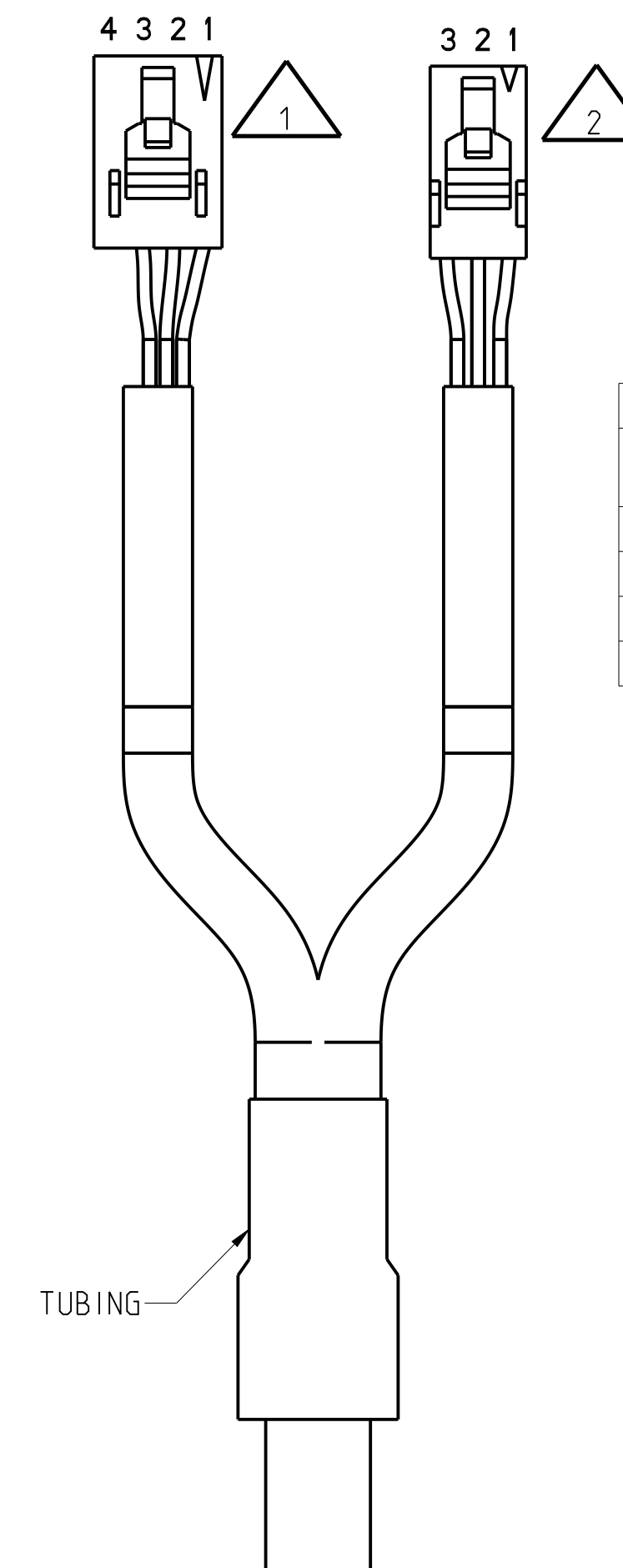


Signal connection port
The connection mode is shown in the figure below



Coil Connection
(Four-Bit Connector)

Electrode Connection
(Three-Bit Connector)



TUBING

DETAIL A
TRANSMITTER END

TABLE 1

COIL CABLE		
TRANSMITTER END	FLOW TUBE END	COLOR
1	⊕	DRAIN
2	2	RED
3	1	BLACK
4	NC	-

TABLE 2

COIL CABLE		
TRANSMITTER END	FLOW TUBE END	COLOR
1	19	RED
2	17	DRAIN
3	18	BLACK

TERMINAL NUMBER AND CONDUCTOR INSULATOR WIRE COLOR

ROSEMOUNT COMBINATION COIL/ELECTRODE CABLE COLOR CODING PART NUMBERS STANDARD 08714-0205-0003			
1	RED	1	DRAIN
2	DRAIN	2	RED
3	BLACK	3	BLACK
		4	DRAIN (ELECTRODE SHIELD)

NOTES:
OUTSIDE DIAMETER OF ALL PART NUMBERS:
0.450"/11.43mm
JACKET COLOR/TEMPERATURE RATING
(1) GRAY - RATED -20°C TO 80°C
(2) BLACK - RATED -20°C TO 80°C DRY
60°C WET (SUBMERGED)

WIRING NOTE

DRAIN/SHIELD OF COIL TERMINAL (SC, 3 OR TERMINAL GROUND) AND DRAIN/SHIELD OF ELECTRODE WIRING IS NOT CONNECTED ON FLOWTUBE END IN TYPICAL INSTALLATIONS.

AN ADDITIONAL CORRECTLY SIZED SAFETY EARTH CONDUCTOR WILL BE REQUIRED ON INSTALLATIONS REQUIRING SHIELDS GROUNDED TO CHASSIS/EARTH AT BOTH ENDS OF THE REMOTE CABLE. THERE MUST BE 1 OHM OR LESS OF RESISTANCE AT EACH END OF THE SAFETY GROUND AT THE DEVICE WITH RESPECT TO THE EARTH SAFETY GROUND.

CABLE WIRING REQUIRE USING CABLE GLANDS INSTALLED IN HOUSING CONDUITS. UNUSED CONDUITS SHOULD BE CLOSED

CONFIDENTIAL AND PROPRIETARY INFORMATION IS CONTAINED HEREIN AND MUST BE HANDLED ACCORDINGLY. ROSEMOUNT	SURFACE FINISH UNLESS OTHERWISE SPECIFIED 125° 3RD ANGLE	SIZE D	SCALE 5/1	REV AA
ROSEMOUNT				
TITLE 8714D TRANSMITTER WRING INSTALLATION DRAWING				
UNLESS OTHERWISE SPECIFIED DIMENSIONS IN INCHES (MM). REMOVE ALL BURRS AND SHARP EDGES.		DR. DANDA.C 5/24/23		DRAWING NO. 08714-1504
-DEC TOLERANCES- .X ± .1 (2.5) .XX ± .02 (0.5) .XXX ± .010 (0.25)		ANGLES ± 2°		APP'D A.L 5/24/23
DO NOT SCALE PRINT CAD MAINTAINED, (PRO/E) PRODUCT CODE - DOC TYPE - SHEET 2 OF 2				

DRAWING NO. 08714-1504