

ISSUE	MODIF. ORDER NO.	WEEK	ISSUE	MODIF. ORDER NO.	WEEK	ISSUE	MODIF. ORDER NO.	WEEK
01	SME-7803	1348	02	SME-8470	1541			

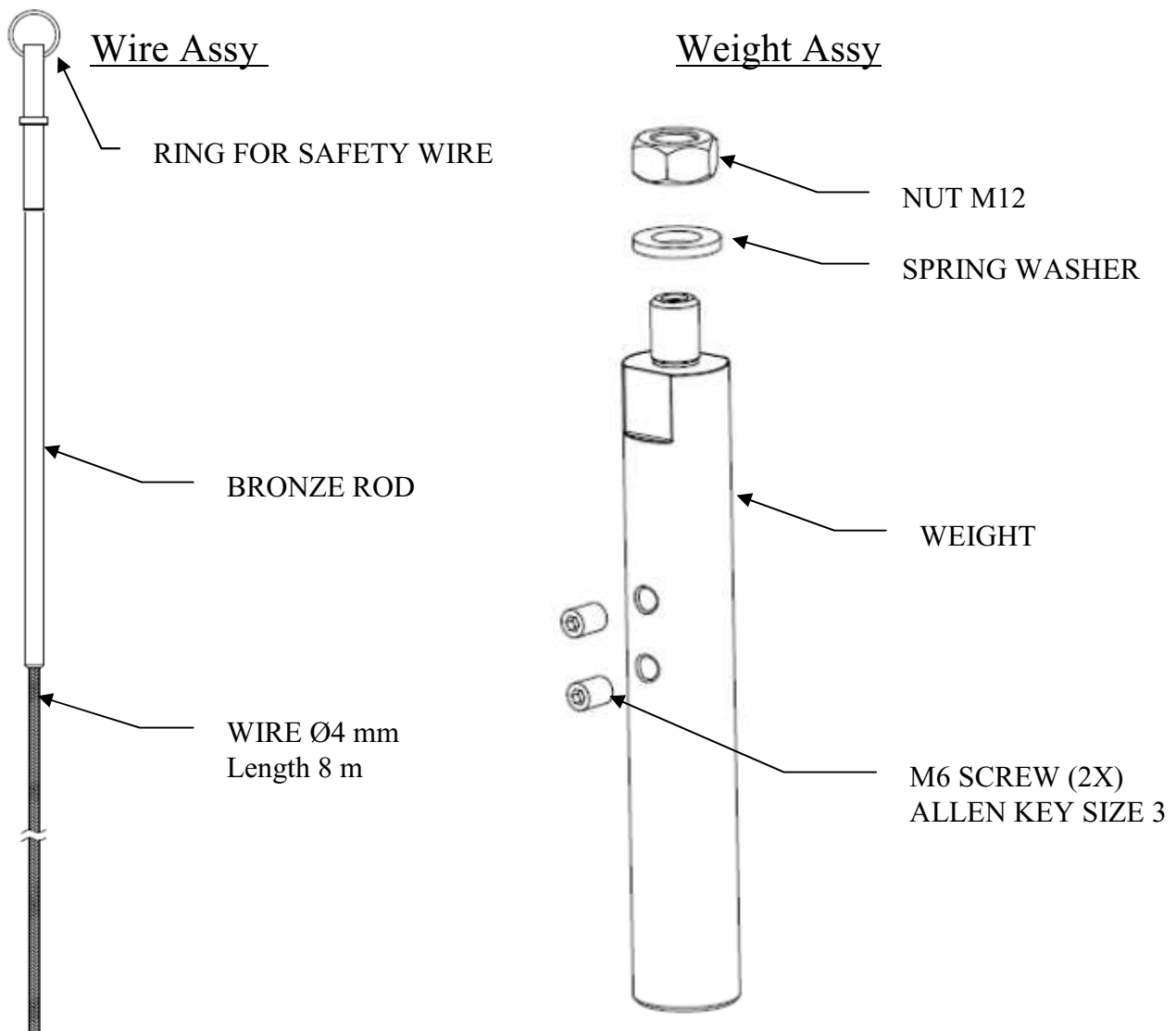
Reference Reflector for Array Antenna

1 Function

The Reference Reflector (RR) shall be installed under the antenna. The RR will introduce an echo that can be used for Proof Test (test of high level alarm).

2 Reference reflector kit Array Antenna

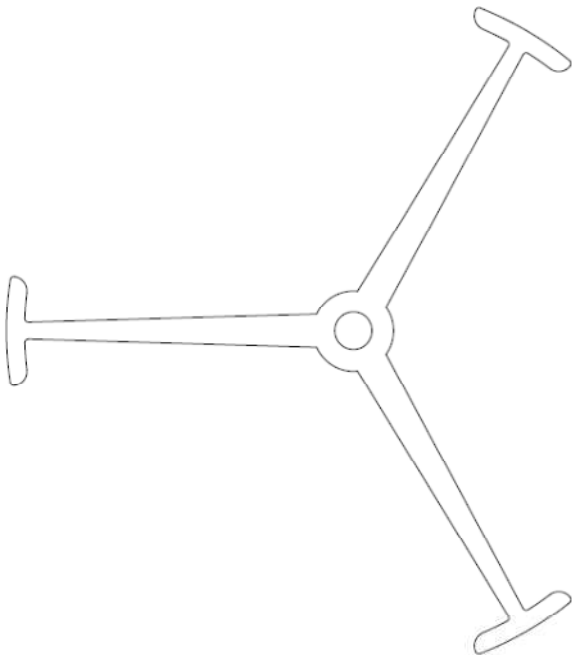
Below all parts in the kit are specified. Make sure that the Reference reflector kit is complete.



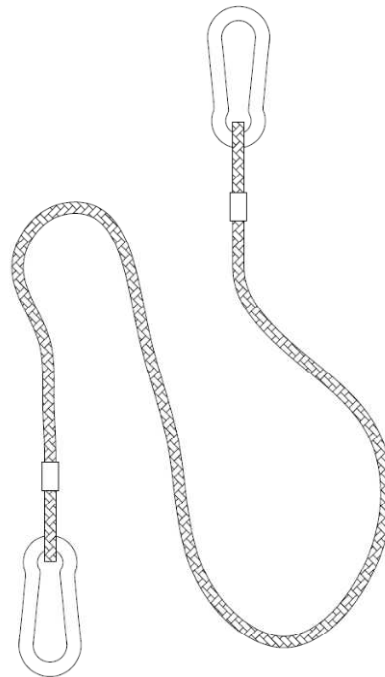
ISSUED BY EMe-BL	WEEK 1310	DOC. TYPE 2	PRODUCT CODE 5900	TITLE MECHANICAL INSTALLATION DWG RR FOR ARRAY ANTENNA			
APPROVED BY EMe-MH	WEEK 1313	FILE MSWord					
ROSEMOUNT Tank Gauging				DOC NO.	ISSUE	PAGE	
				D7000001-598	02	1/8	

ISSUE	MODIF. ORDER NO.	WEEK	ISSUE	MODIF. ORDER NO.	WEEK	ISSUE	MODIF. ORDER NO.	WEEK
01	SME-7803	1348	02	SME-8470	1541			

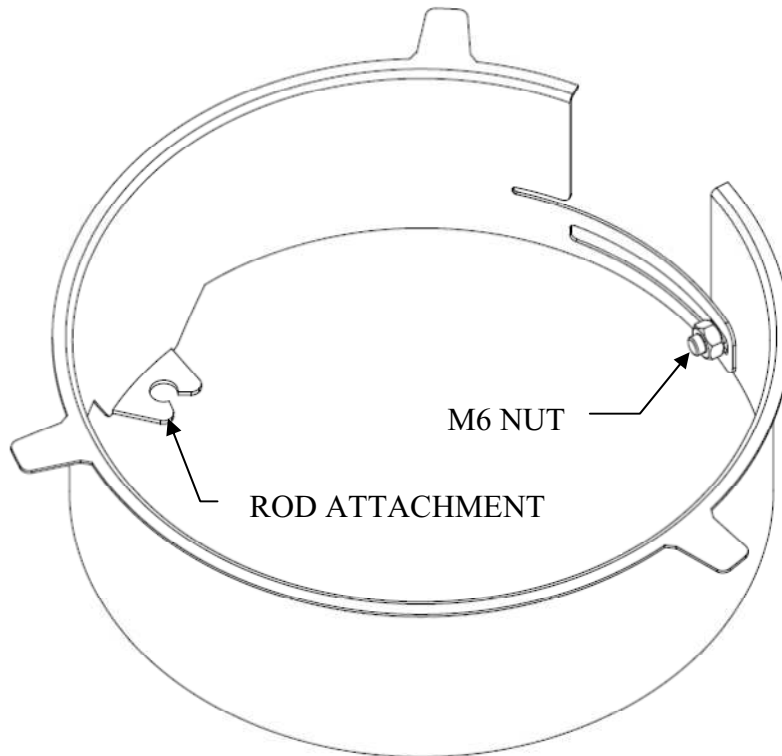
Reference Reflector



Safety Wire



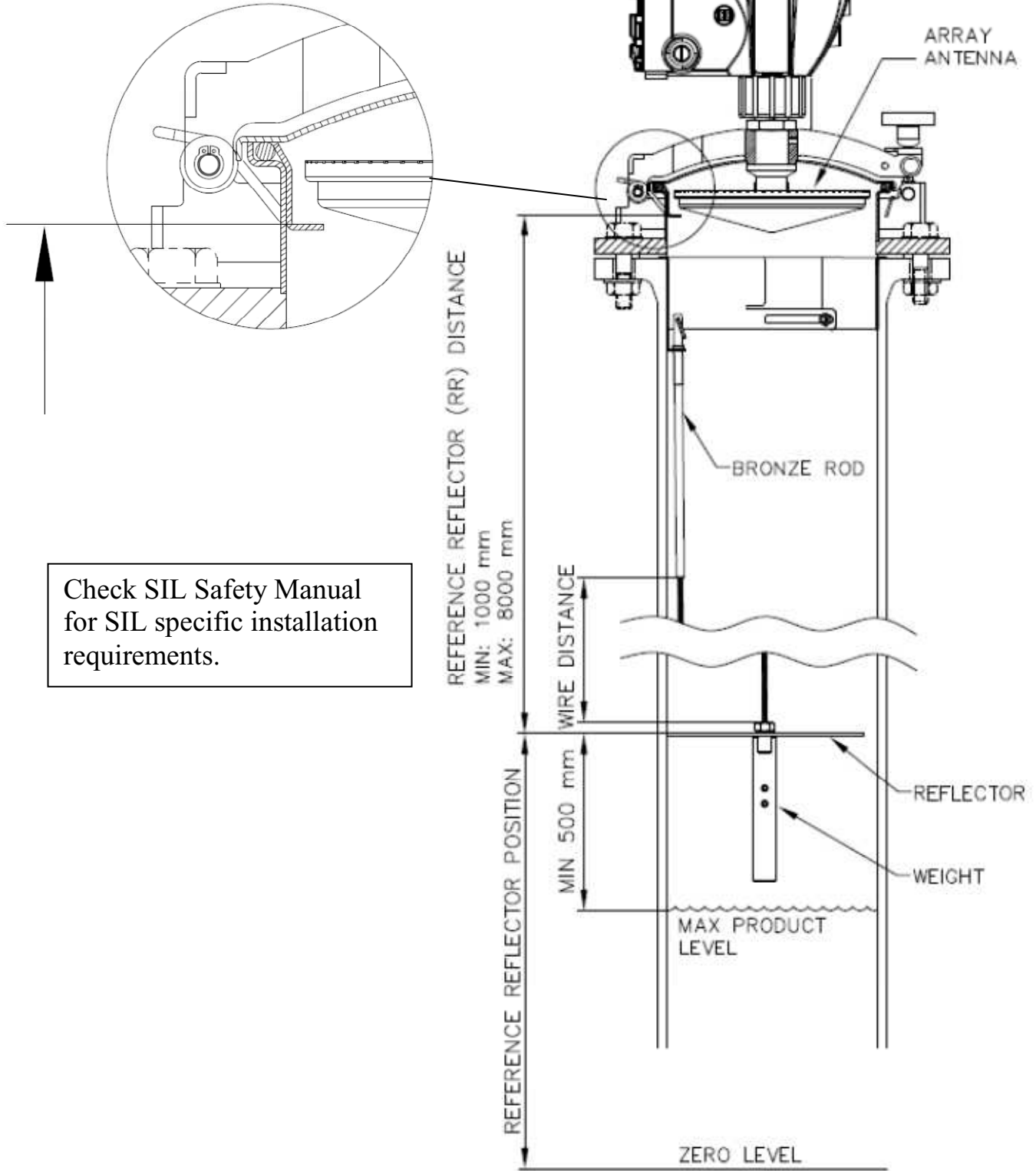
Ring Flex Assy



ISSUE	MODIF. ORDER NO.	WEEK	ISSUE	MODIF. ORDER NO.	WEEK	ISSUE	MODIF. ORDER NO.	WEEK
01	SME-7803	1348	02	SME-8470	1541			

3 Installation overview

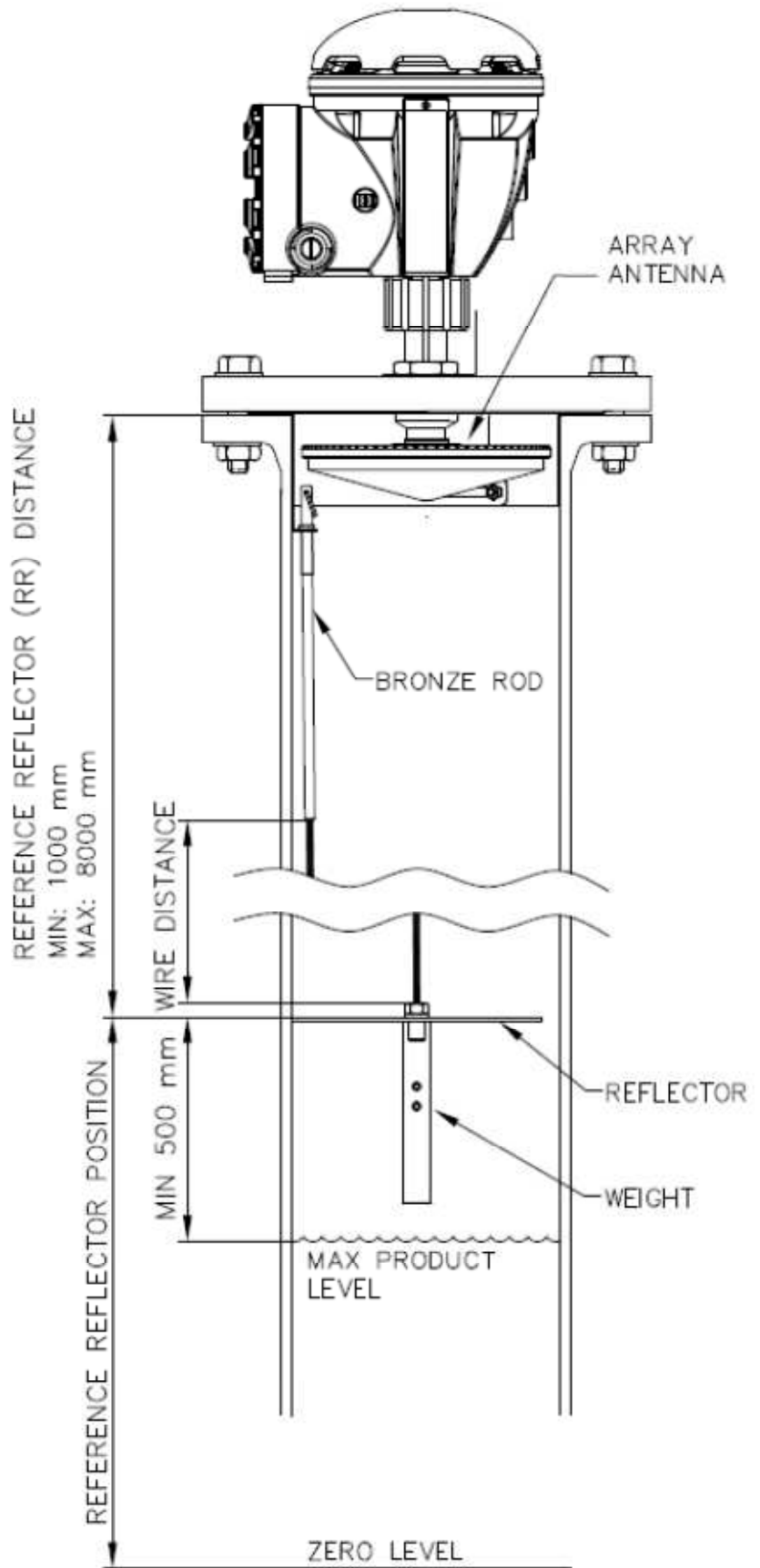
3.1 Hatch installation



ISSUE	MODIF. ORDER NO.	WEEK	ISSUE	MODIF. ORDER NO.	WEEK	ISSUE	MODIF. ORDER NO.	WEEK
01	SME-7803	1348	02	SME-8470	1541			

3.2 Fixed installation

Check SIL Safety Manual for SIL specific installation requirements.



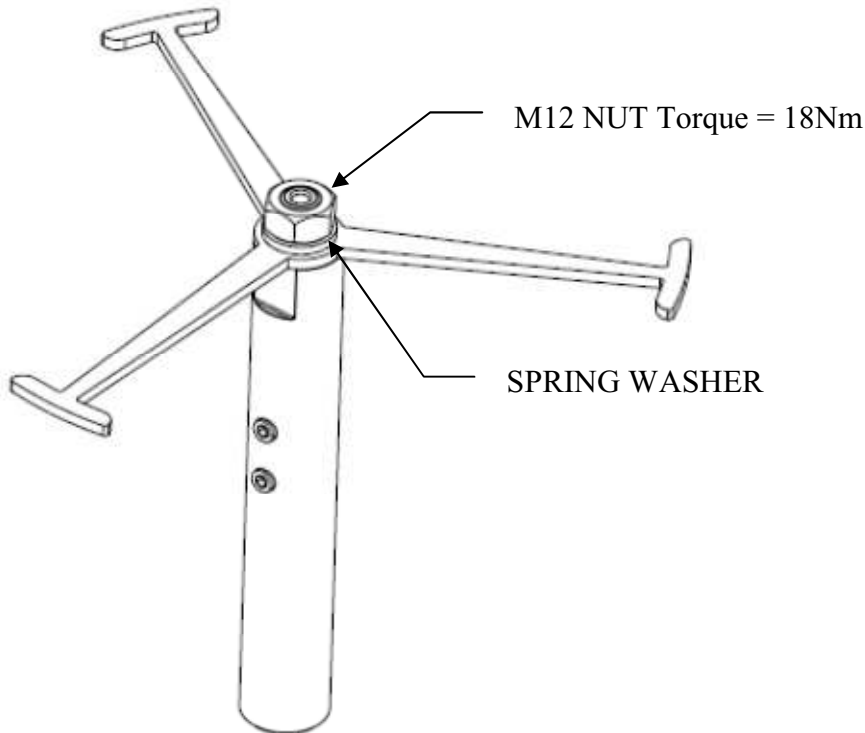
2015-10-13 Electronic Master - Printed Copies Uncontrolled - Emerson Proprietary

ISSUE	MODIF. ORDER NO.	WEEK	ISSUE	MODIF. ORDER NO.	WEEK	ISSUE	MODIF. ORDER NO.	WEEK
01	SME-7803	1348	02	SME-8470	1541			

4 Installation instruction

4.1 Define the Reference Reflector Position (RR Position) and calculate the Reference Reflector Distance (RR Distance), see installation overview.

4.2 Assemble the reflector



ISSUE	MODIF. ORDER NO.	WEEK	ISSUE	MODIF. ORDER NO.	WEEK	ISSUE	MODIF. ORDER NO.	WEEK
01	SME-7803	1348	02	SME-8470	1541			

4.3 Calculate wire distance

CAUTION: Handle the wire and assembly with care to avoid permanent bends on the wire.

Hatch installation

Find out the thickness of flange gasket (Ga)

Wire distance = Reference Reflector Distance ¹⁾ - Ga - 362 mm.

Fixed installation

Wire distance = Reference Reflector Distance ²⁾ - 324 mm.

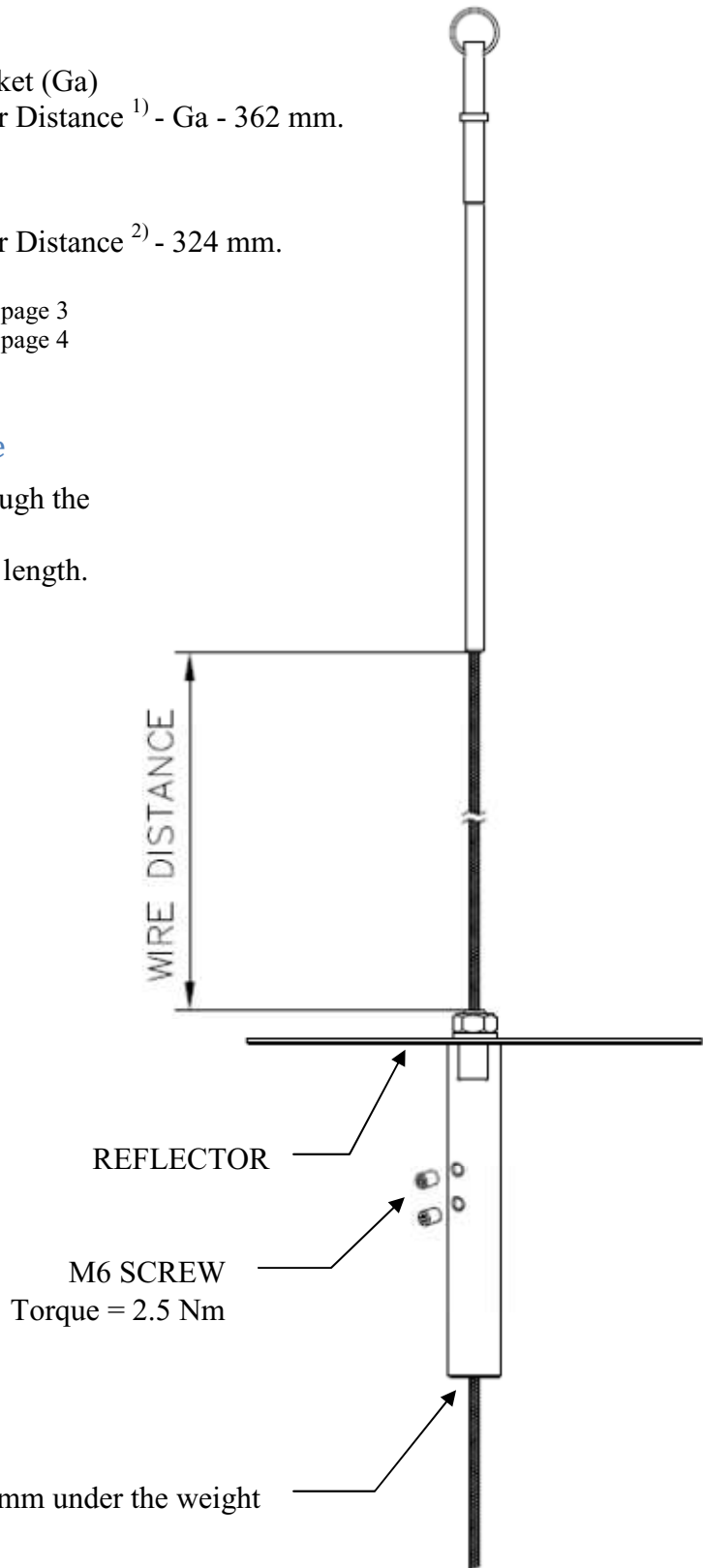
- 1) See illustration in Installation overview on page 3
- 2) See illustration in Installation overview on page 4

4.4 Assemble the weight on wire

Before cutting the wire, feed the wire through the hole in the weight.

Position the weight to get the correct wire length.
Tighten the two screws.

4.5 Cut the wire



ISSUE	MODIF. ORDER NO.	WEEK	ISSUE	MODIF. ORDER NO.	WEEK	ISSUE	MODIF. ORDER NO.	WEEK
01	SME-7803	1348	02	SME-8470	1541			

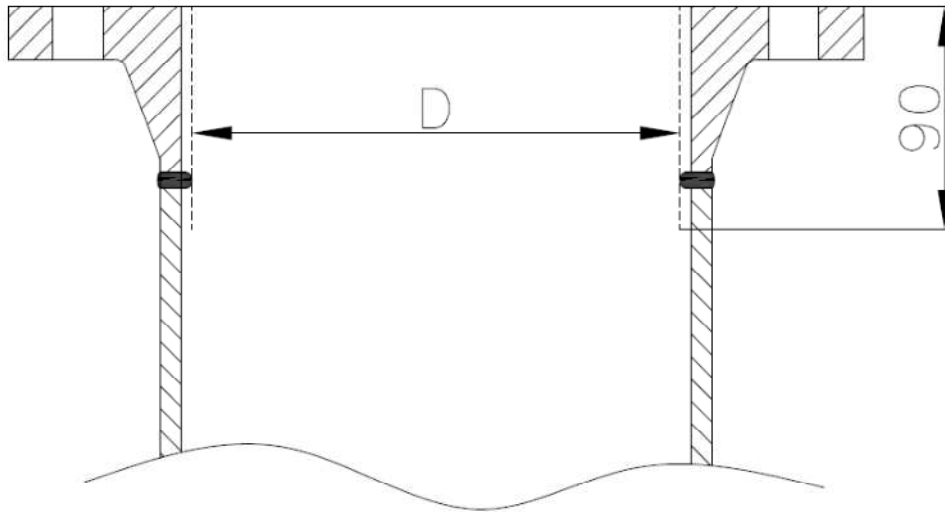
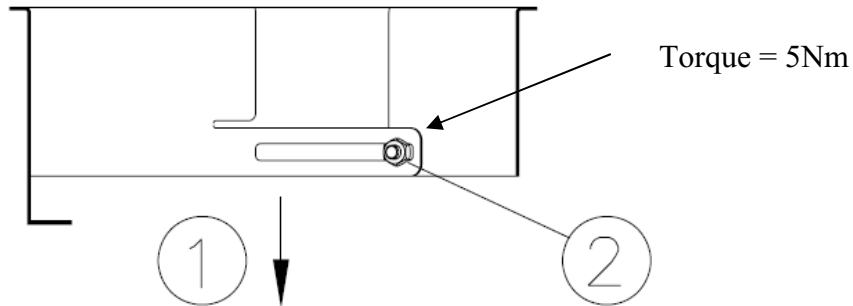
4.6 Assemble the Ring Flex Assy in top of the Still-Pipe

The Ring Flex Assy can be adapted to fit the actual inside diameter of the Still-Pipe according to the table below.

When the Ring Flex Assy is placed in the Still-Pipe, tighten the M6 nut.

Min inside diamter clearance (D)

6" Still-Pipe	8" Still-Pipe
Ø152 - Ø164 mm	Ø195,5 - Ø210,2 mm



ISSUE	MODIF. ORDER NO.	WEEK	ISSUE	MODIF. ORDER NO.	WEEK	ISSUE	MODIF. ORDER NO.	WEEK
01	SME-7803	1348	02	SME-8470	1541			

4.7 When the Ring Flex Assy is mounted in the Still-pipe, fasten the Rod into the Rod Attachment.

1. Fasten one end of the Safety Wire to the Bronze rod and the other to tank/pipe shell. Lower the weight and reflector carefully into the tank by feeding the wire to its full length.
2. Place the wire in the Rod Attachment through the slot.
3. Move the Rod vertically down to its final position.
4. Remove the Safety Wire from the Bronze rod.

