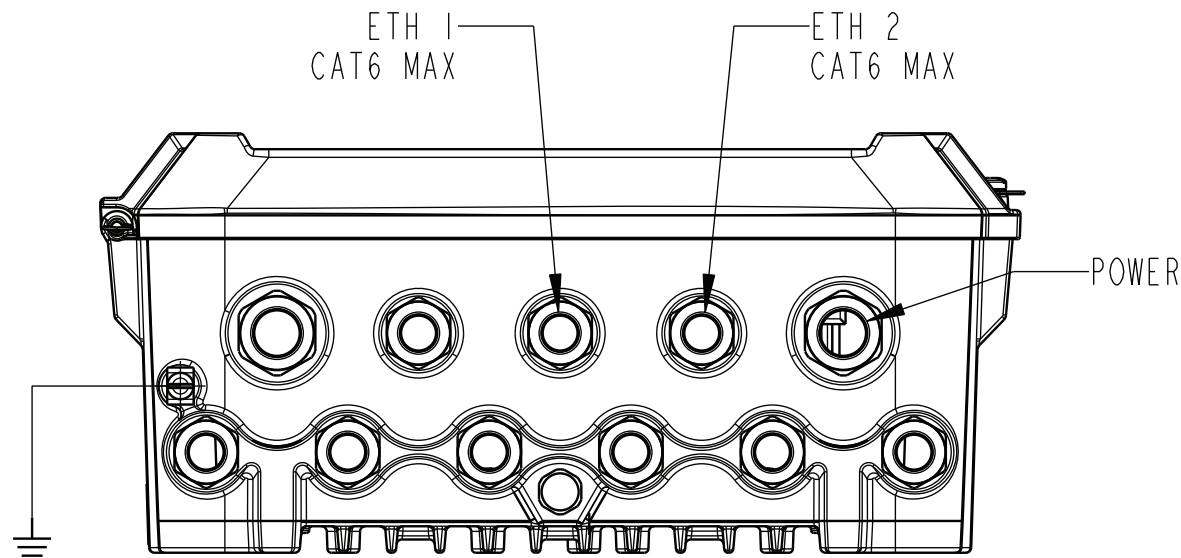


EXTERNAL GROUND SCREW M5
 CABLE LUG THICKNESS MAX 4mm
 AND HEIGHT MAX 10mm
 MIN 4mm² OR AWG 11



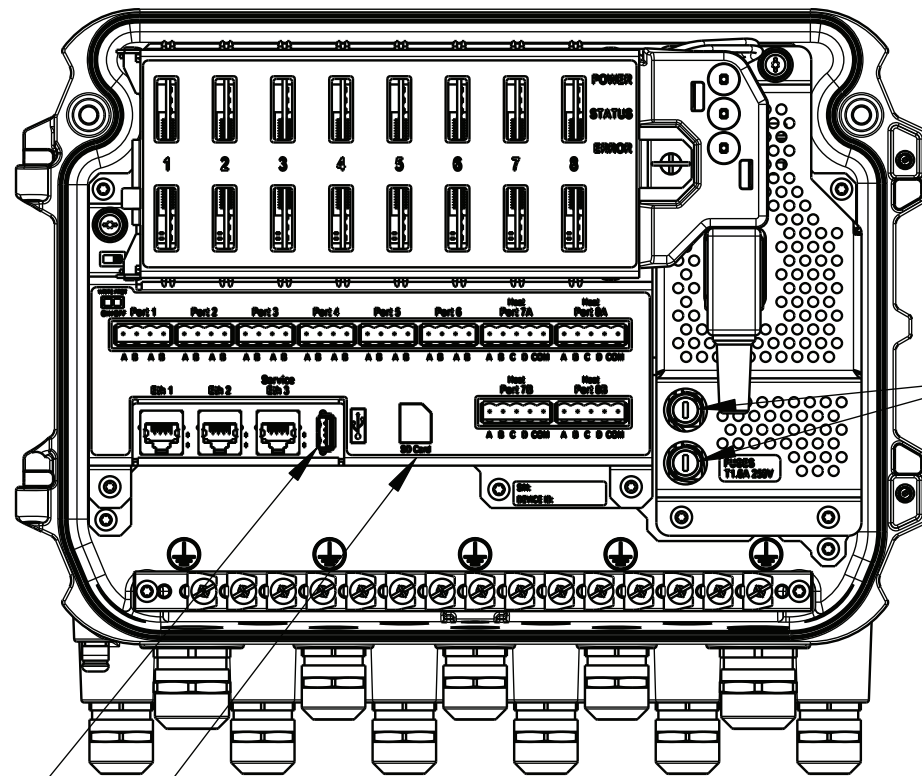
CABLE DIAMETER FOR GLANDS SUPPLIED BY RTR		
THREAD	M20	M25
CABLE Ø	6-13mm	9-17mm

RECOMMENDED TIGHTENING TORQUE FOR GLANDS SUPPLIED BY RTR		
PART NUMBER	6853512-473	6853512-472
THREAD	M20	M25
BODY	7Nm	10Nm
HAT	4Nm	7Nm

POWER CORD CONNECTOR SUPPLIED BY RTR	
WIRE SIZE (3X)	MAX 2.1mm ² (AWG 14)
CABLE SIZE	MAX 10mm

CABLE TERMINAL BLOCKS SUPPLIED BY RTR		
CONDUCTOR CONNECTION	MAXIMUM	AWG
SOLID	4mm ²	11
FLEXIBLE	2.5mm ²	13
FLEXIBLE, FERRULE WITH PLASTIC COLLAR	1.5mm ²	16

SCREW M2,5 TIGHTENING TORQUE 0.4Nm MAX 0.5Nm



FUSES
 T1.6A 250V
 5x20mm GLASS

USB-A 2.0

SD-CARD

NO LID ASSEMBLED IN THIS VIEW

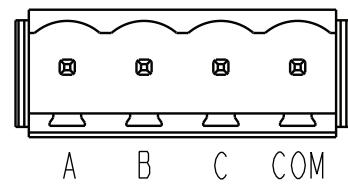
USE EXTERNAL CIRCUIT BREAKER FOR SAFE DISCONNECTION OF POWER SUPPLY

ISSUED BY EMe-PB	DRAWN WEEK 1644	PRODUCT CODE 2460	 LAYOUTVÄGEN 1, S-435 33 MÖLNLYCKE, SWEDEN
APPROVED BY EMe-MH	APP'D WEEK 1648	DOCUMENT TYPE 02	
ORIGINAL DRAWING NO. D7000003-852	SIZE A3	1 ST ANGLE 	SCALE -
CAD MAINTAINED, (PRO/E)		DO NOT SCALE PRINT	
THE COPYRIGHT/OWNERSHIP OF THIS DOCUMENT IS AND WILL REMAIN OURS. THE DOCUMENT MUST NOT BE USED WITHOUT AUTHORIZATION OR BROUGHT TO THE KNOWLEDGE OF A THIRD PARTY. CONTRAVENTION WILL BE PROSECUTED. ROSEMOUNT TANK RADAR AB, SWEDEN			
INSTALLATION DRAWING TITLE EL. INST. DWG EMULATION 2460 SYSTEM HUB			DRAWING NO. D7000003-852
			ISSUE SHEET 02 1/2

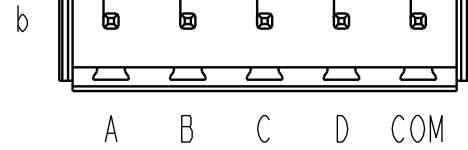
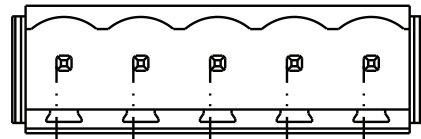
BUS CONNECTIONS

PORT 1-6

PORT 7-8



PINS INTERNALLY CONNECTED IN PARALLEL

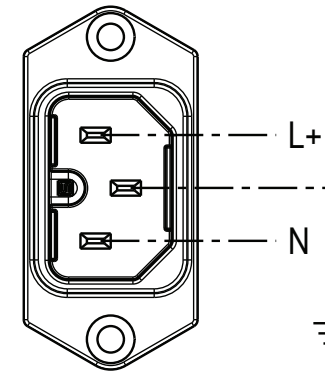


	A	B	C	COM
VAREC MARK/SPACE NOTE 8	MARK	SPACE	POWER NOTE 9	SIGNAL GROUND NOTE 9
L&J TANKWAY NOTE 8	COMPUTER	ENCODER	POWER NOTE 9	SIGNAL GROUND NOTE 9
DIGITAL CURRENT LOOP (DCL 0-20mA) WHESSOE 550/660 (GPE)	+	-	POWER NOTE 10	SIGNAL GROUND NOTE 10
SAKURA (VI, MDP, BBB)	LOOP +	LOOP -	DO NOT USE	DO NOT USE
TIC (TOKYO KEISO)	X	Y	DO NOT USE	DO NOT USE

	A	B	C	D	COMMON
TRL/2	NOTE 5	NOTE 5	N/A	N/A	N/A
RS485/422 (2-WIRE)	R/T+ (A)	R/T- (B)	N/A	N/A	GND
RS485/422 (4-WIRE)	R+ (A')	R- (B')	T+ (A)	T- (B)	GND
RS232	RxD	TxD	N/A	N/A	GND

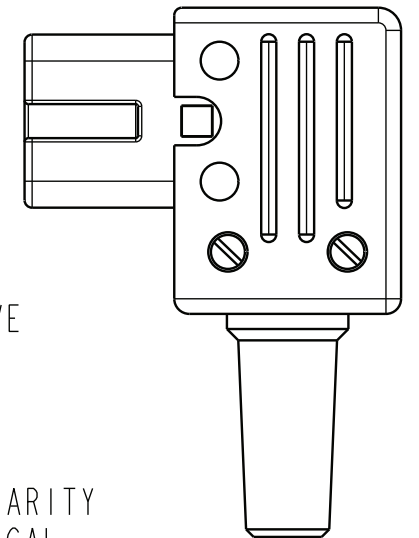
POWER CONNECTION

SUPPLIED WITH DEVICE



24-48VDC
100-250VAC
50-60Hz
MAX 20W

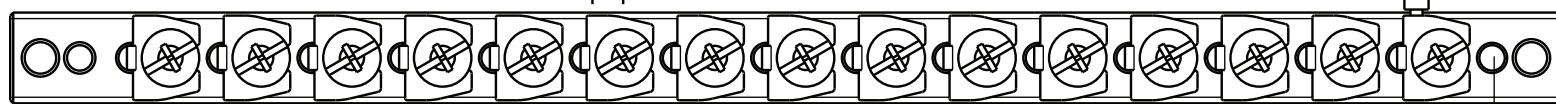
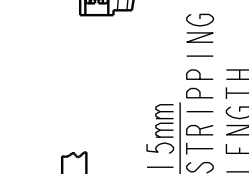
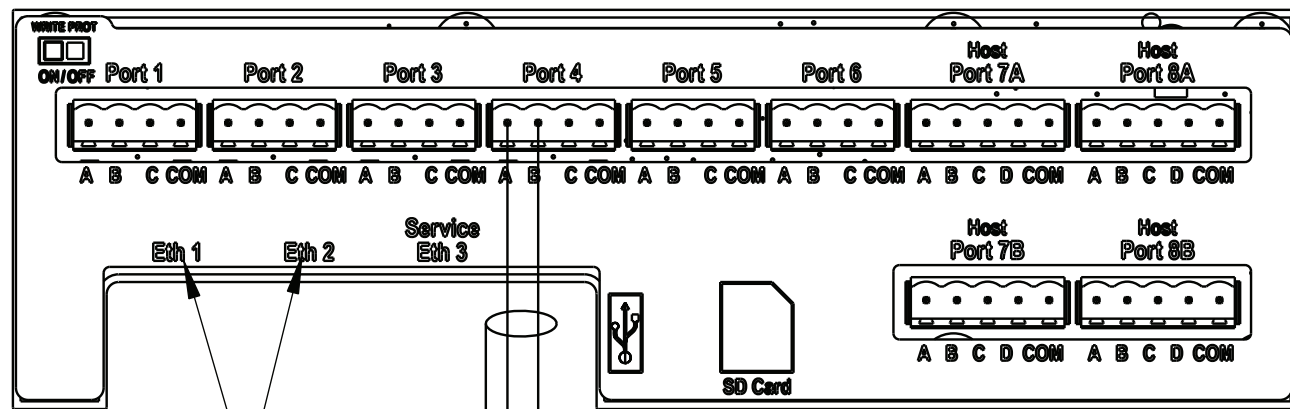
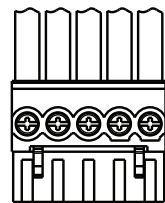
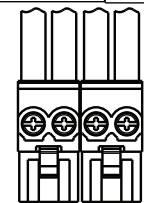
PROTECTIVE GROUND



NOTE: POLARITY NOT CRITICAL FOR DC-VOLTAGE INPUT

HANDLE PLUG ABOVE -25°C (TYPICALLY AT INSTALLATION)

POWER CONNECTOR SUPPLIED BY RTR	MAX TORQUE
TERMINALS	0.5Nm
CABLE CLAMP	0.3Nm
COVER	0.3Nm



SIGNAL AND SHIELD GROUND BAR

- 10 EXTERNAL POWER INPUT (C=+, COM=-)(ONLY USED FOR EXTERNAL LOOP POWER, DO NOT USE IF 2460 IS PROVIDING LOOP POWER).
- 9 VAREC INPUT VOLTAGE MAXIMUM 50 VDC.L&J INPUT VOLTAGE MAXIMUM 50 VDC.
- 8 EXTERNAL POWER SUPPLY FOR POWERING THE BUS REQUIRED
- 7 FOR BEST EMC PERFORMANCE KEEP ALL SHIELD CONNECTIONS AS SHORT AS POSSIBLE
- 6 FOR MODEM CONFIGURATION AND TERMINATION, SEE MANUAL
- 5 POLARITY INDEPENDENT
- 4 SINGLE TWISTED SHIELDED PAIR, INDIVIDUAL SHIELDING IS MANDATORY IF TWO BUSES RUN IN THE SAME CABLE
- 3 FUNCTIONALITY ON ETH 1 AND 2 DEPENDING ON MODEL CODE
- 2 CONNECT SHIELD TO GROUND AT ONE END ONLY, OTHERWISE A GROUND LOOP MAY OCCUR.
- 1 KEEP INSULATION PRESERVED IN AREA AROUND HOUSING INLETS TO AVOID CONTACT BETWEEN CABLES AND SHARP EDGES. THE SHIELD MUST BE ISOLATED FROM THE HOUSING.

ISSUED BY EMe-PB	DRAWN WEEK 1644	PRODUCT CODE 2460	
APPROVED BY EMe-MH	APP'D WEEK 1648	DOCUMENT TYPE 02	
ORIGINAL DRAWING NO. D7000003-852	SIZE A3	1 ST ANGLE 	SCALE -
CAD MAINTAINED, (PRO/E)		DO NOT SCALE PRINT	
THE COPYRIGHT/OWNERSHIP OF THIS DOCUMENT IS AND WILL REMAIN OURS. THE DOCUMENT MUST NOT BE USED WITHOUT AUTHORIZATION OR BROUGHT TO THE KNOWLEDGE OF A THIRD PARTY. CONTRAVENTION WILL BE PROSECUTED. ROSEMOUNT TANK RADAR AB, SWEDEN			
INSTALLATION DRAWING TITLE EL. INST. DWG EMULATION 2460 SYSTEM HUB			DRAWING NO. D7000003-852
ISSUE 02		SHEET 2/2	