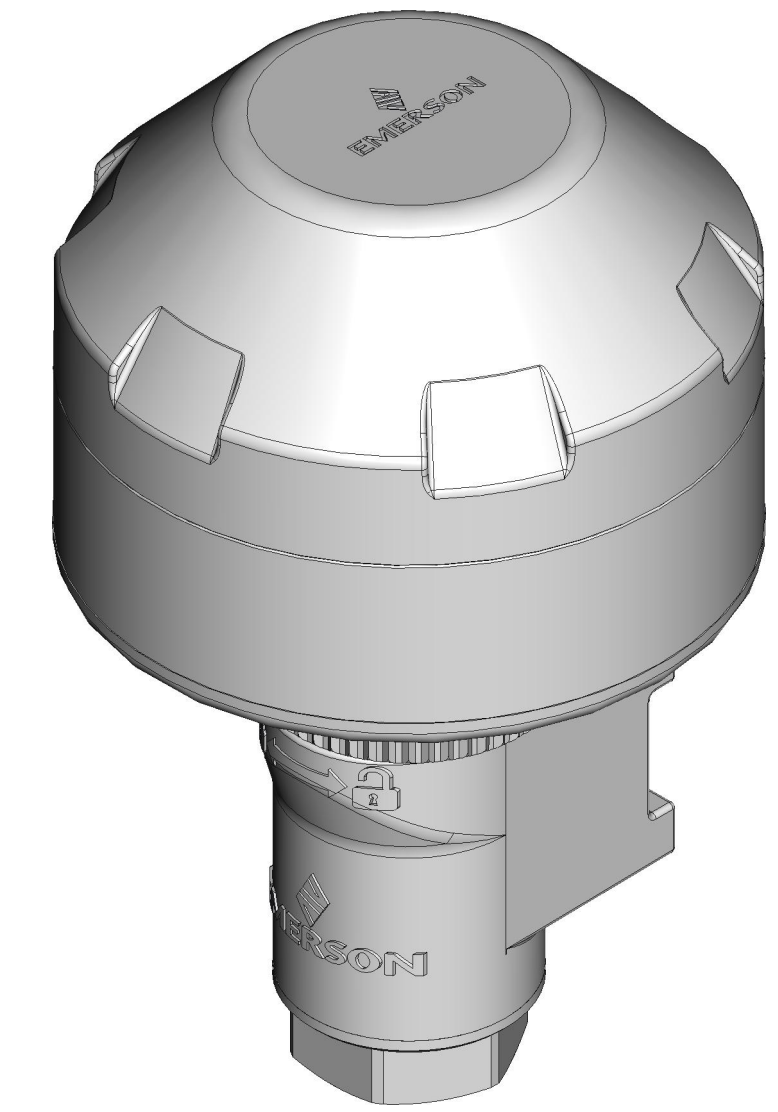
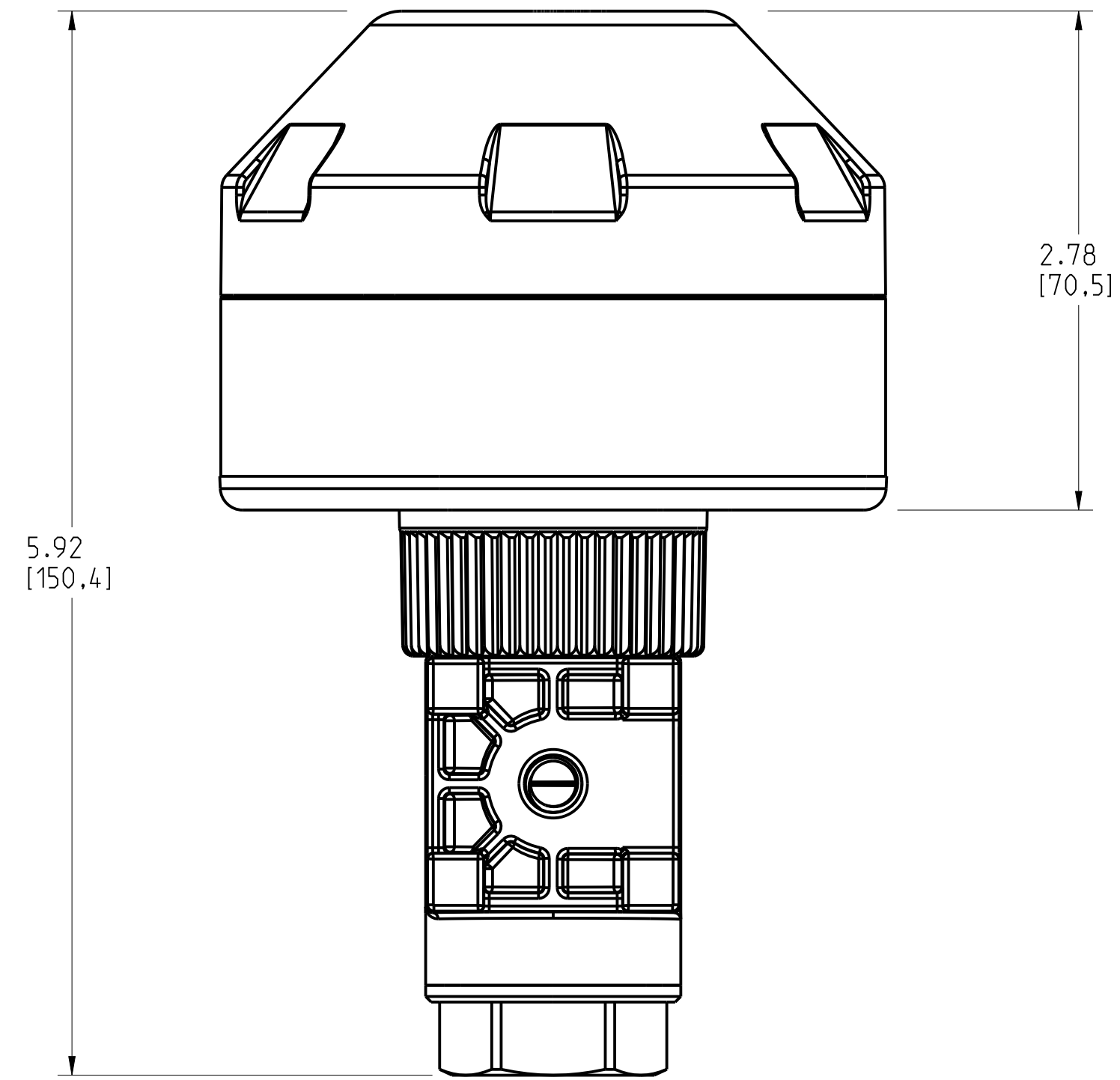
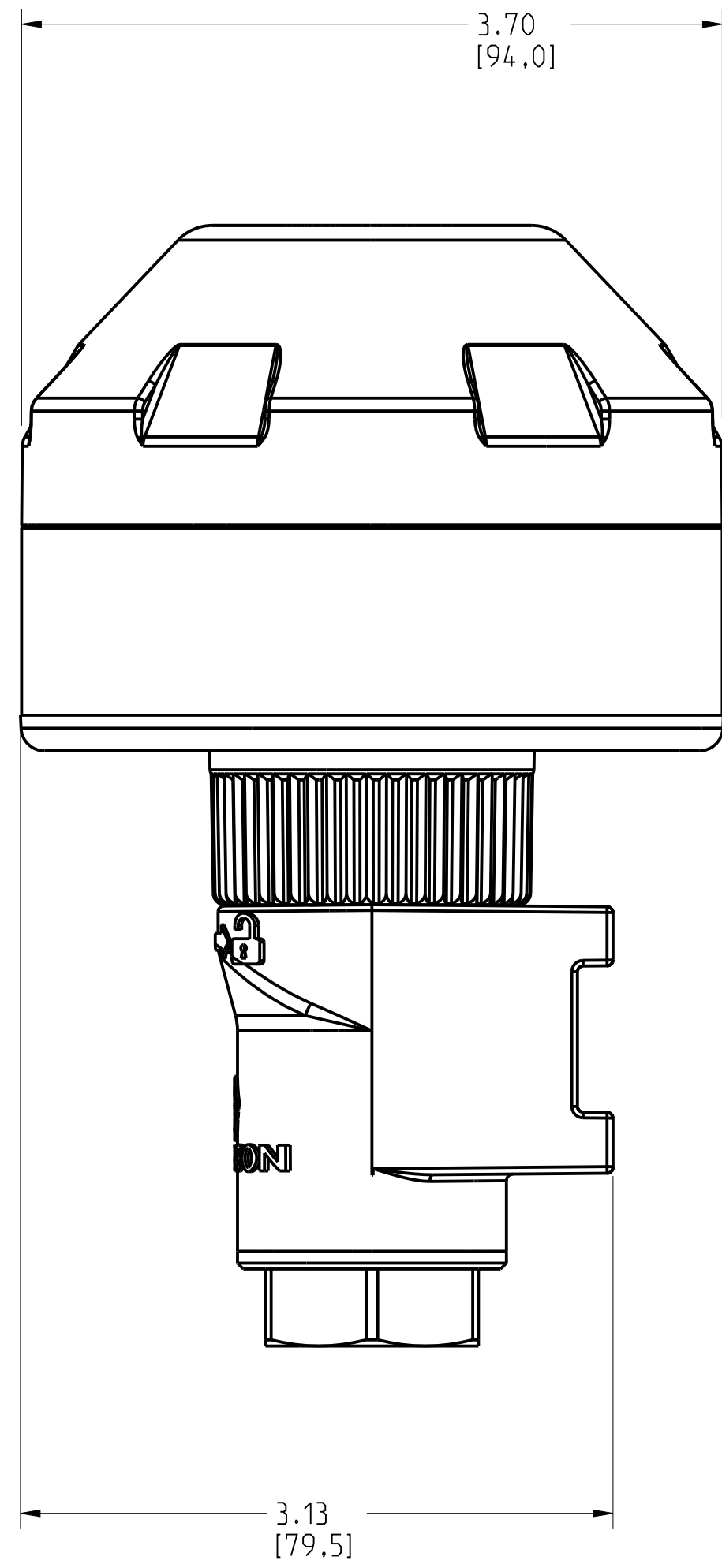


EMERSON WIRELESS 781S SMART ANTENNA INTEGRAL ANTENNA CONFIGURATION

REVISION TABLE			
REVISION	ECO NO.	APP'D	DATE
AB	RTC1083696	J. JI	8/25/24
DESCRIPTION			
ADD UPDATED MODEL AND MOUNTING BRACKET			



©2015 ROSEMOUNT, INC.
ROSEMOUNT INC. ACCEPTS
THIS DRAWING AS IS. IT IS
NOT TO BE USED FOR
REPRODUCTION OR
REUSE IN ANY MANNER
WITHOUT THE WRITTEN
CONSENT OF ROSEMOUNT,
INC.

EMERSON

3RD ANGLE

SIZE D

SCALE NTS

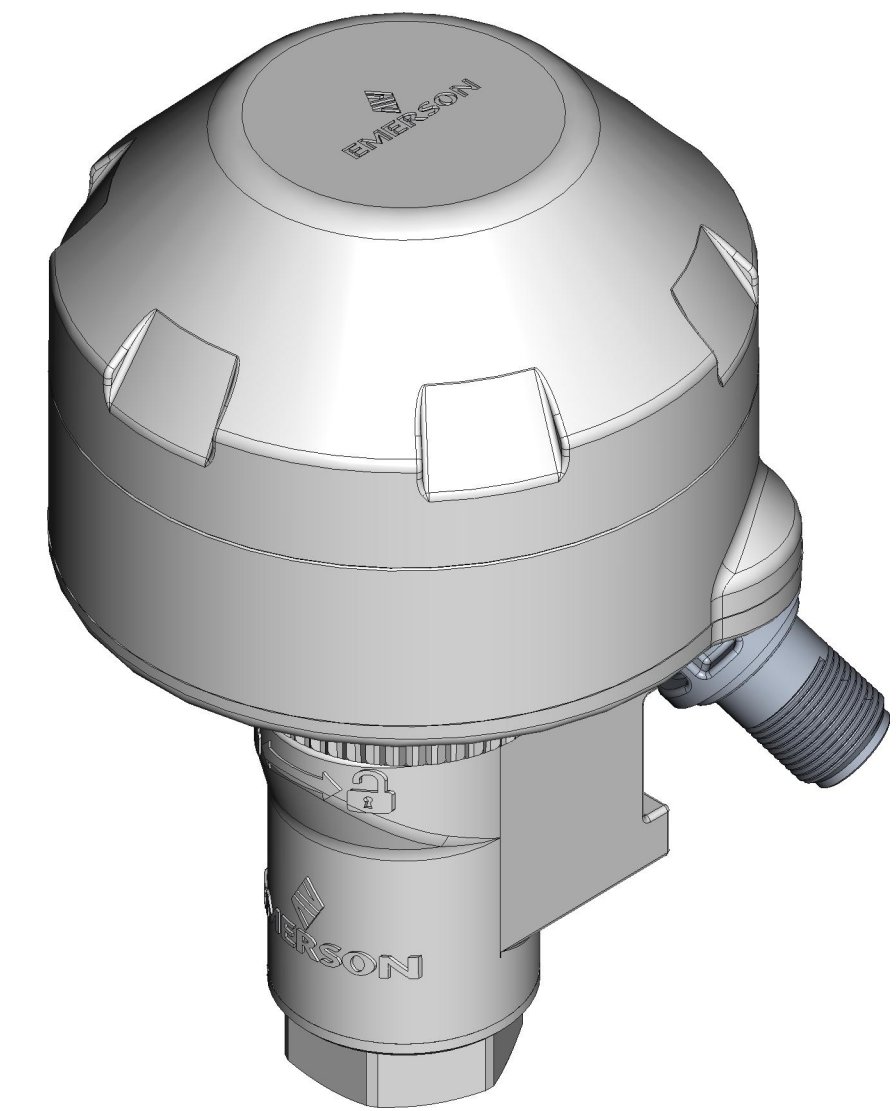
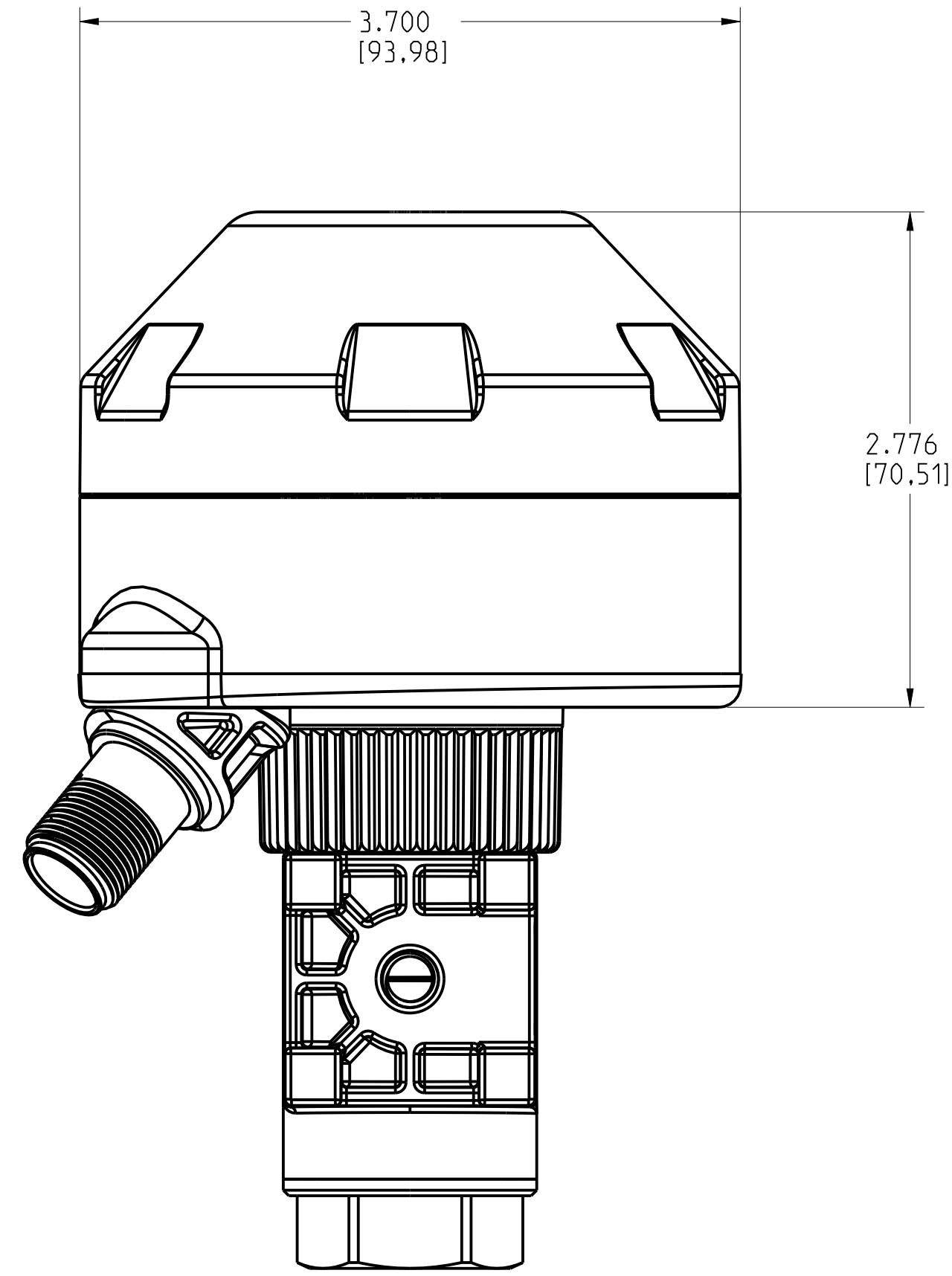
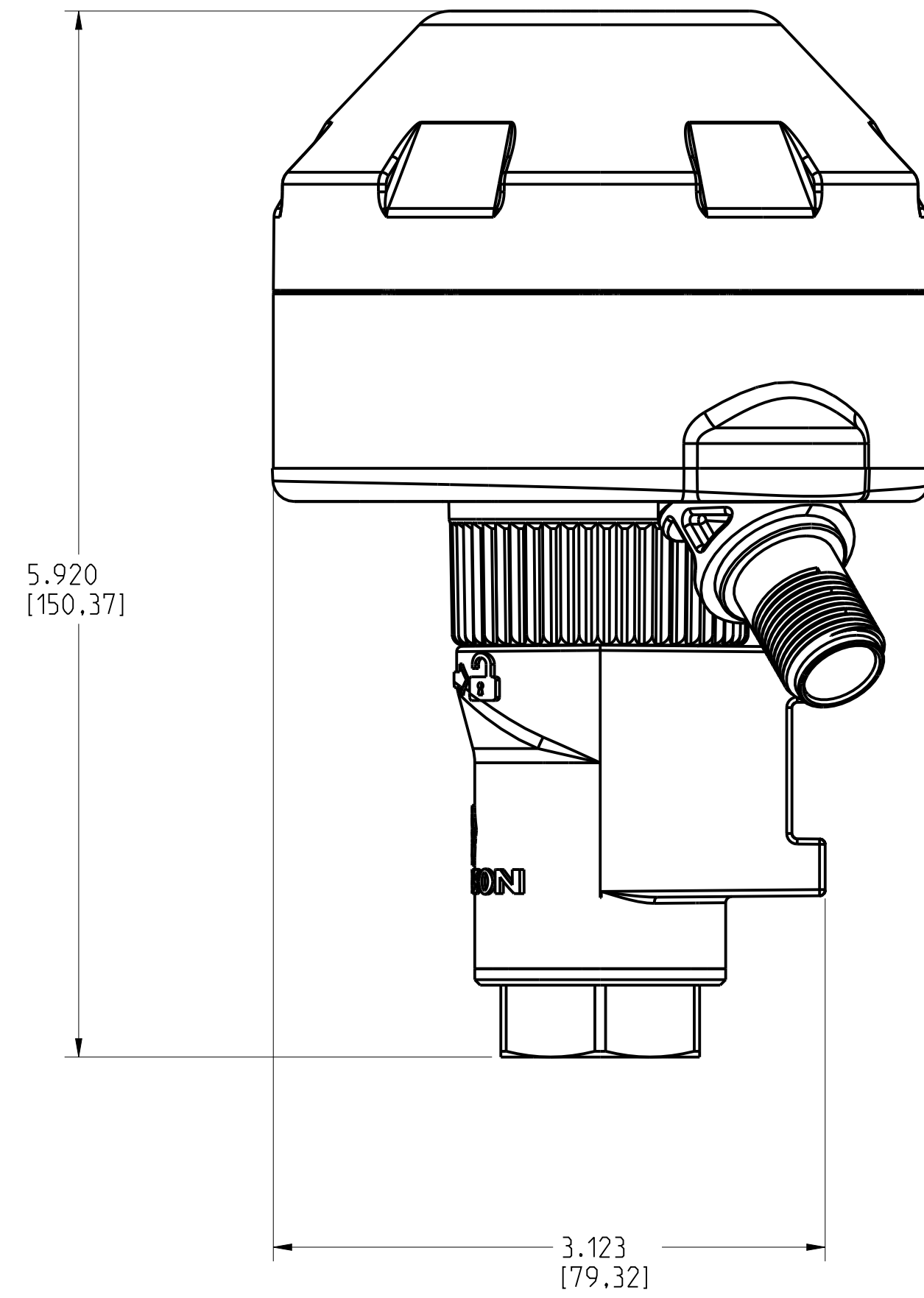
TITLE
**ROSEMOUNT 781S
TYPE I DRAWING**

DR. J. ARMSTRONG 9/20/19 DRAWING NO. 00781-7001

APP'D J. JI 9/20/19

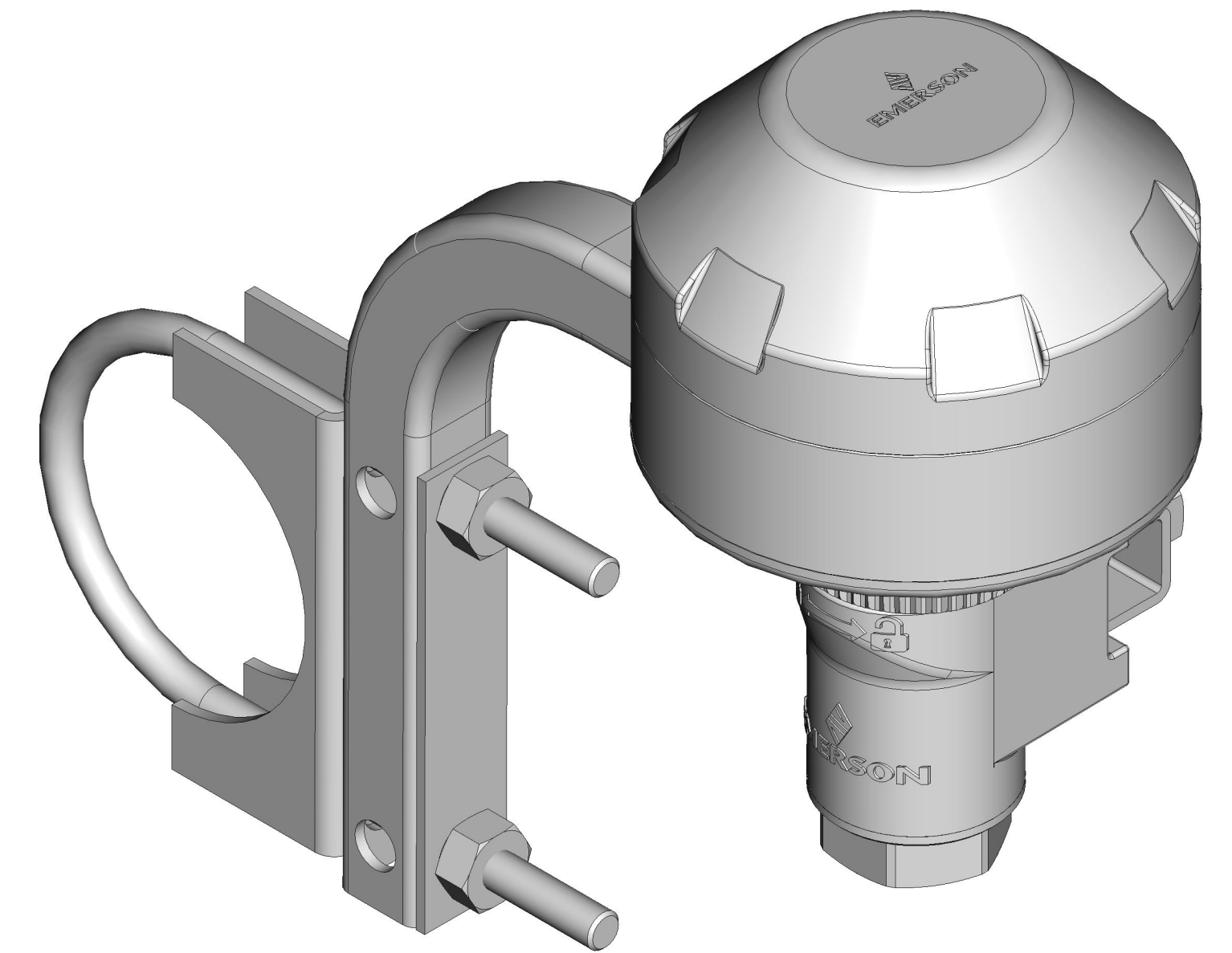
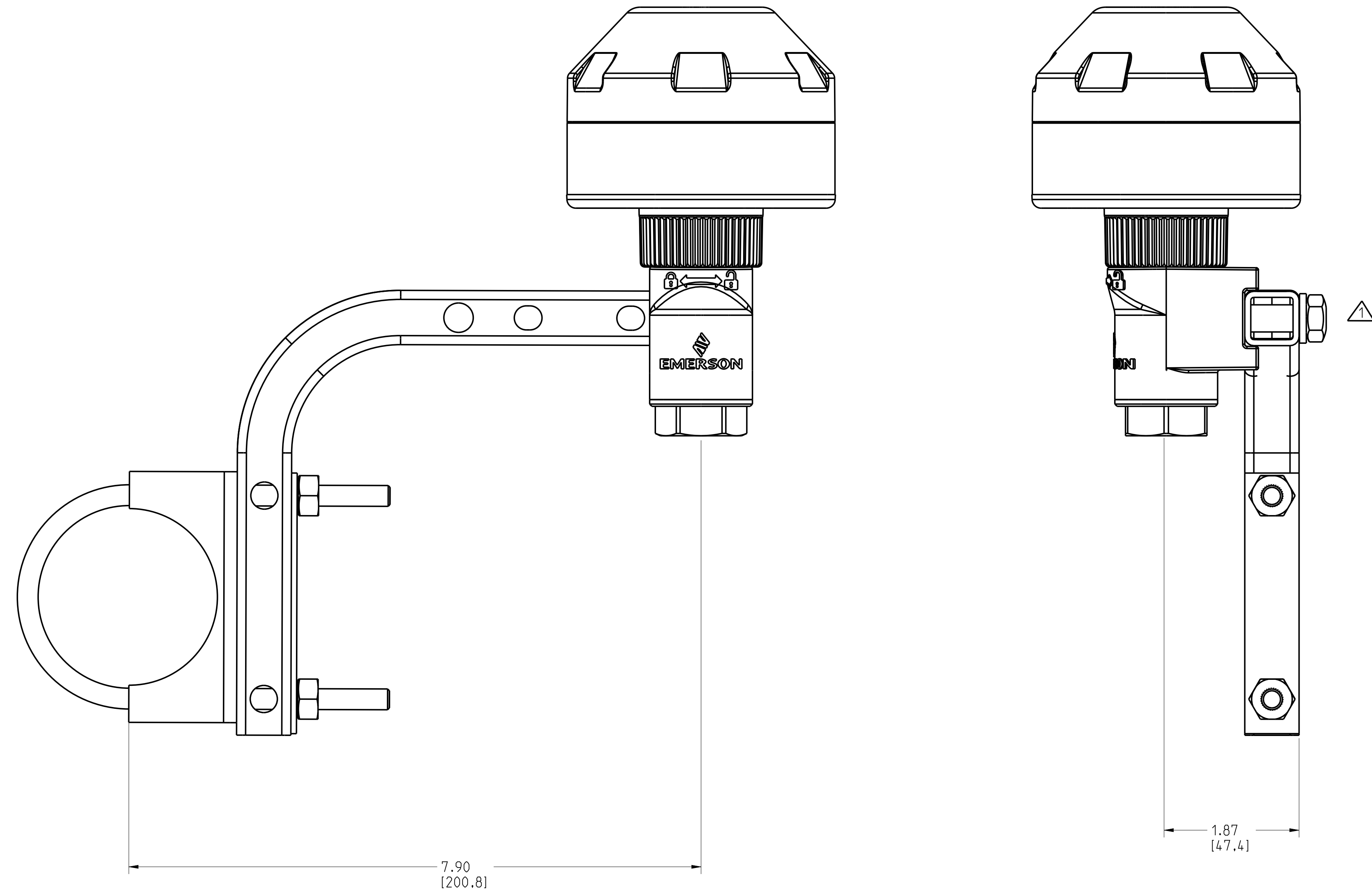
CAD MAINTAINED. (PRO/E) SHEET 1 OF 5

EMERSON WIRELESS 781S SMART ANTENNA
 REMOTE ANTENNA CONFIGURATION



©2015 ROSEMOUNT, INC. ROSEMOUNT INC. EXPRESSLY DISCLAIMS LIABILITY FOR THIS DOCUMENT. THIS DOCUMENT IS PROVIDED AS IS. ROSEMOUNT ENGINEERING SHALL NOT BE RESPONSIBLE FOR ANY DAMAGES, INCLUDING CONSEQUENTIAL DAMAGES, ARISING FROM THE USE OF THIS DOCUMENT. UNIT NOTES IN INCHES (mm). REFERENCE ROSEMOUNT PRODUCT SPECIFICATIONS FOR PRODUCT SPECIFICATIONS. CLICK HERE	3RD ANGLE	SIZE D	SCALE NTS
	TITLE ROSEMOUNT 781S TYPE I DRAWING		
	DR. J. ARMSTRONG 9/20/19 DRAWING NO.	00781-7001	
APP'D J. JI 9/20/19	CAD MAINTAINED (PRO/E) SHEET 2 OF 5		

EMERSON WIRELESS 781S SMART ANTENNA INTEGRAL MOUNTING CONFIGURATION

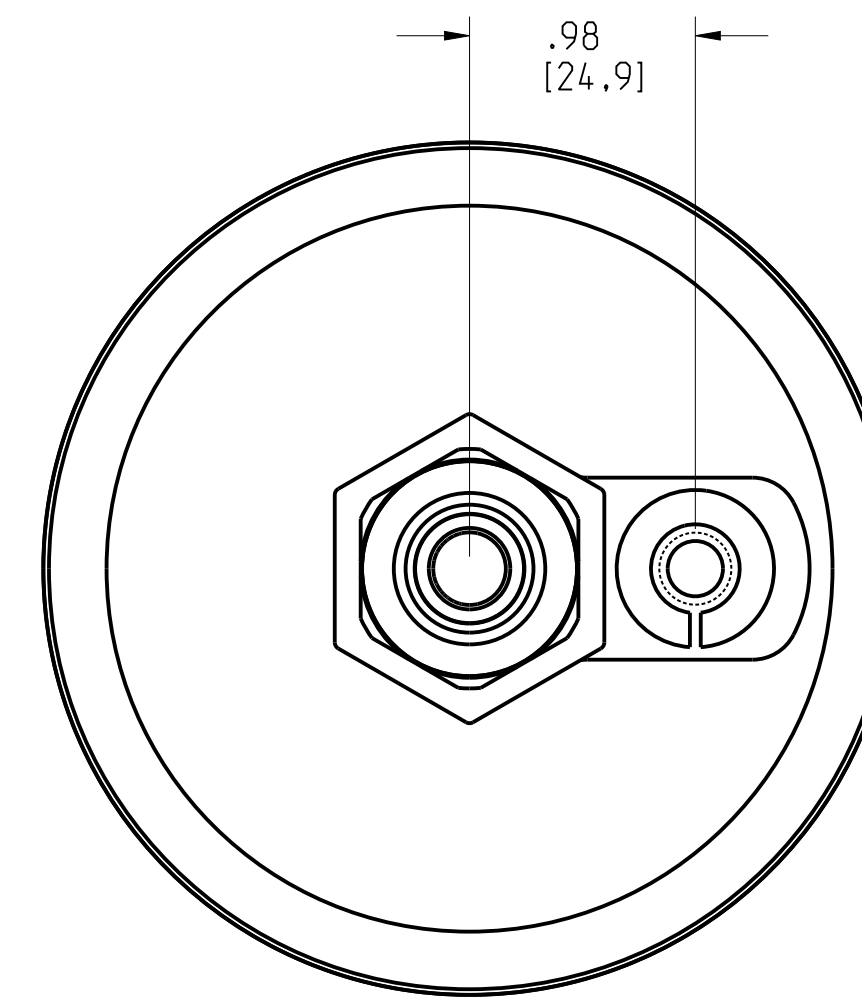
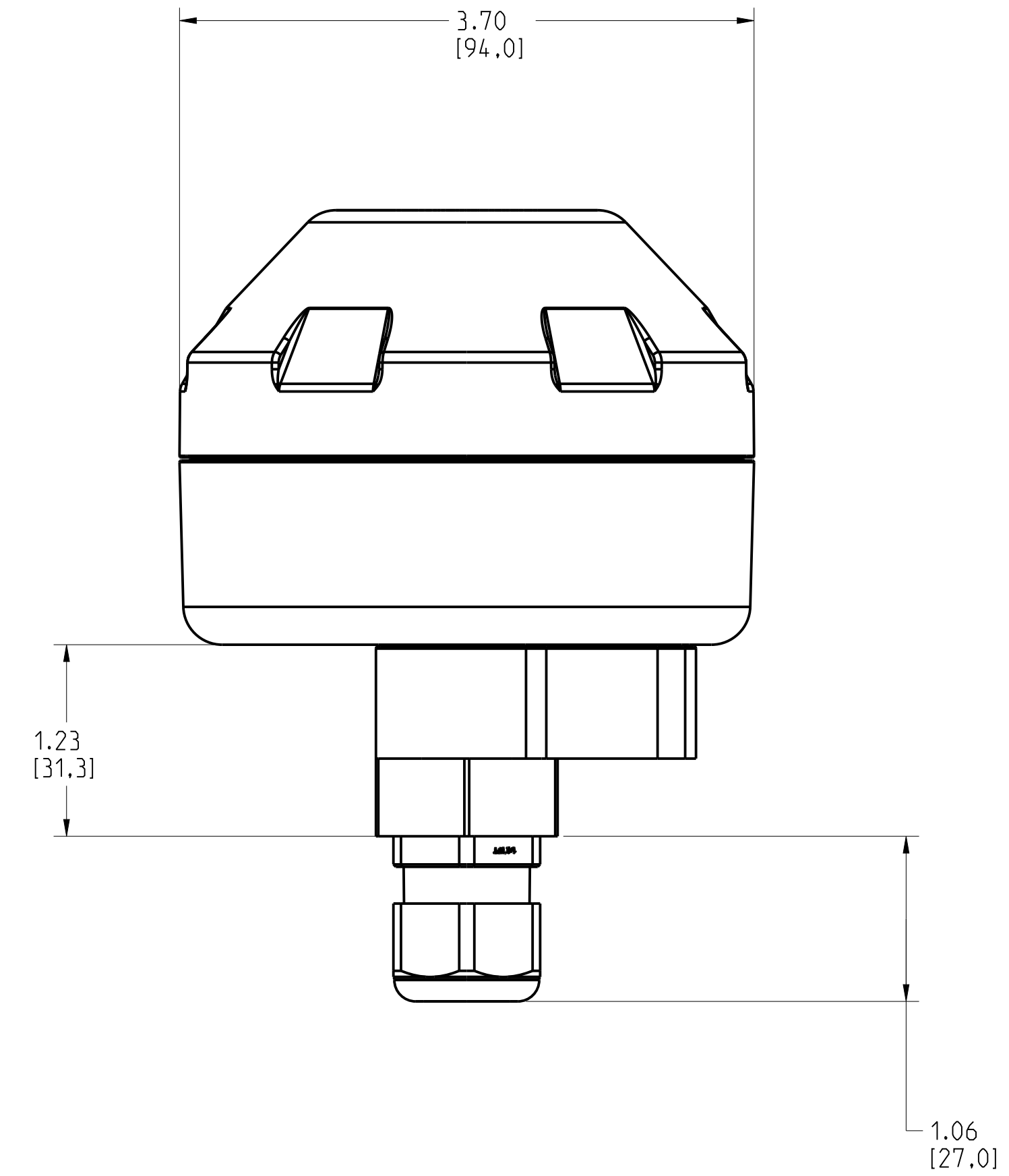
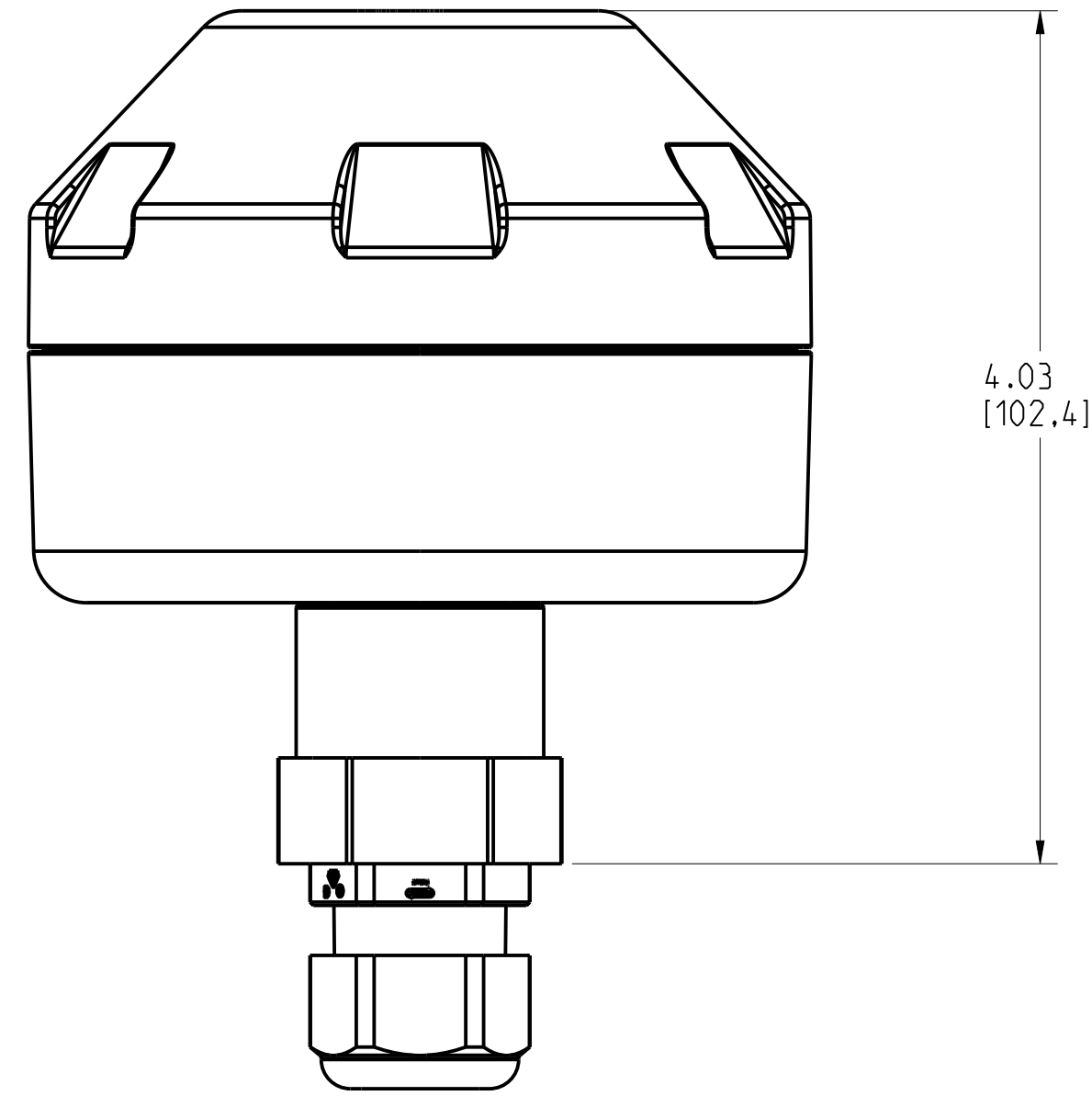


⚠ CAUTION: Using longer bolts other than provided by Emerson will potentially damage device housing.
 Mounting bolt to be 5/16-18 x 1-1/4in used in conjunction with bracket and washer. Maximum torque to be 60in-lb.

©2015 ROSEMOUNT, INC. ROSEMOUNT INC. EXPRESSLY DISCLAIMS LIABILITY IN THIS ACCORDANCE WITH ROSEMOUNT ENGINEERING SPECIFICATIONS. UNIT NOTES IN INCHES (mm). REFERENCE ROSEMOUNT PRODUCT SHEETS FOR PRODUCT SPECIFICATIONS. CLICK HERE	3RD ANGLE		SIZE D	SCALE NTS
	TITLE ROSEMOUNT 781S TYPE I DRAWING			
	DR. J. ARMSTRONG 9/20/19 DRAWING NO.	APP'D J. JI 9/20/19		00781-7001
CAD MAINTAINED (PRO/E)			SHEET 3 OF 5	

EMERSON WIRELESS 781S SMART ANTENNA
(LEGACY)

REVISION TABLE			
REVISION	ECO NO.	APP'D	DATE
AB	RTC1083696	J. JI	
DESCRIPTION			
ADD UPDATED MODEL AND MOUNTING BRACKET			

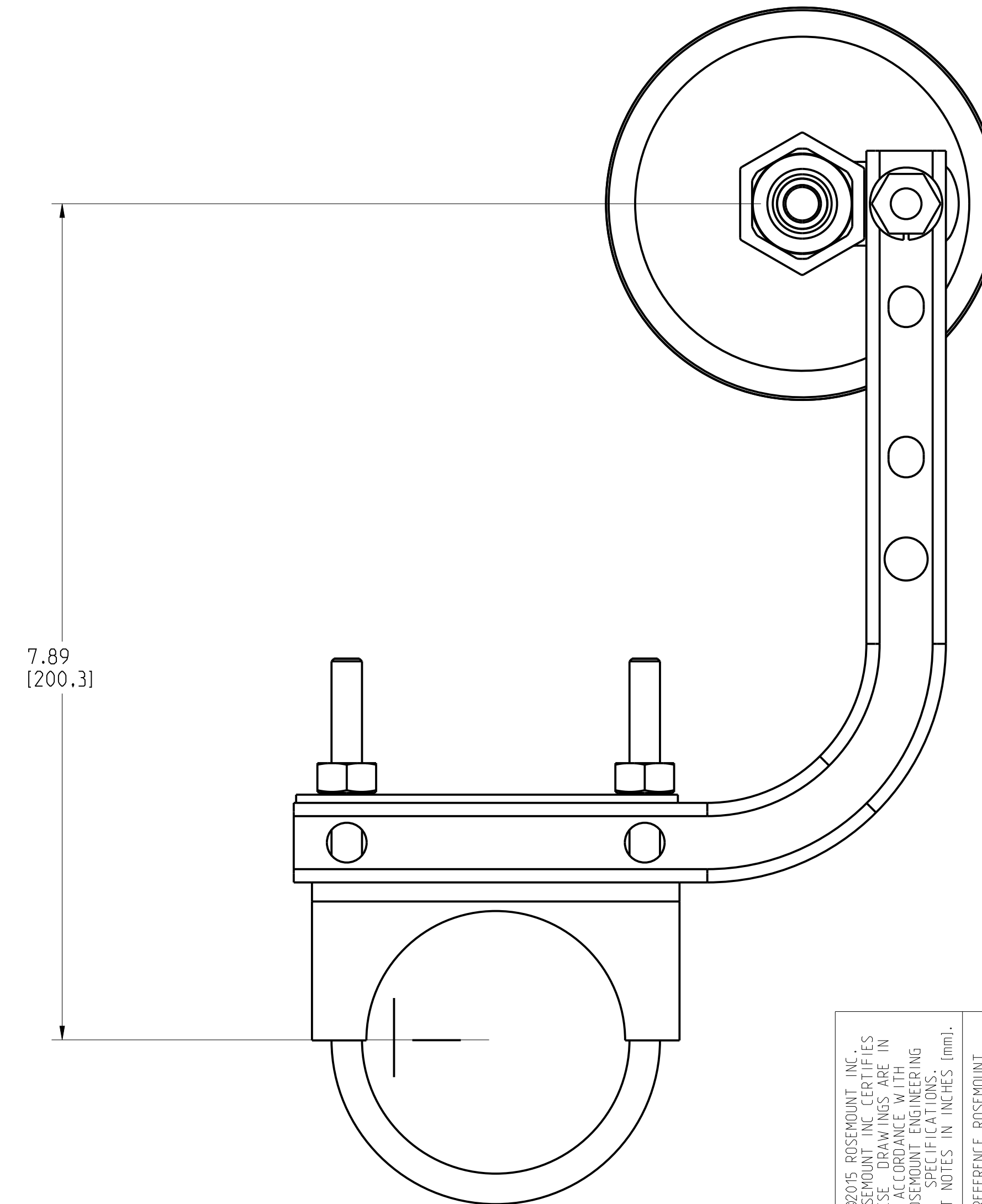
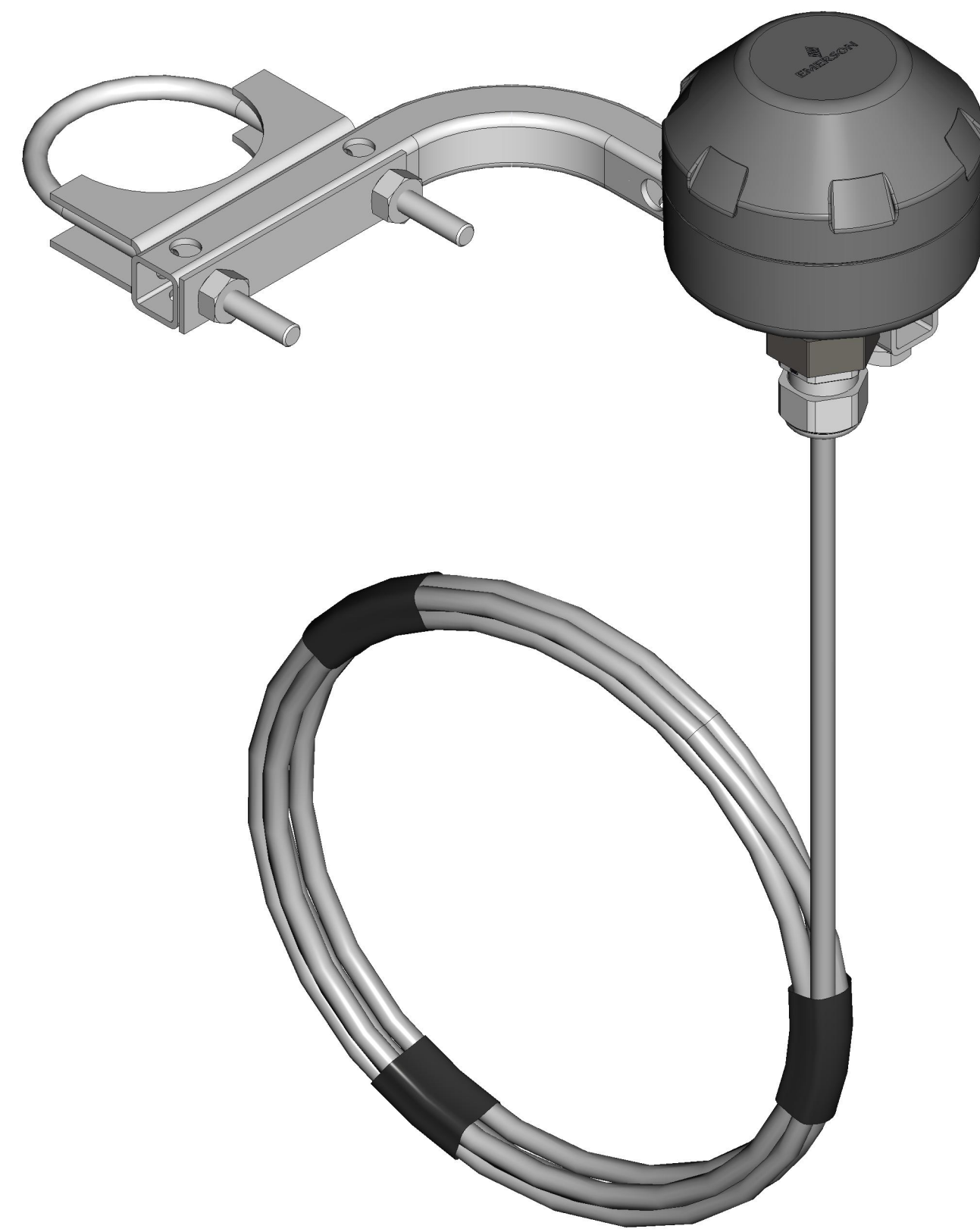
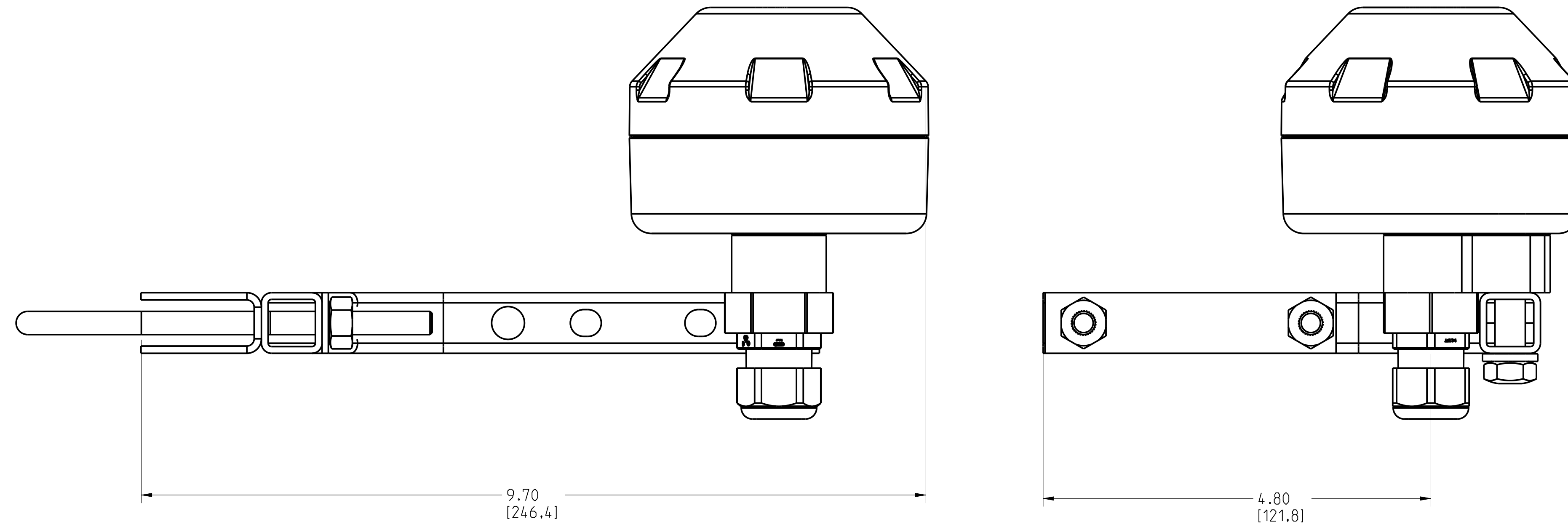


©2015 ROSEMOUNT, INC.
ROSEMOUNT INCORPORATES
THIS INFORMATION IN
THIS DRAWING IN
ACCORDANCE WITH
ROSEMOUNT ENGINEERING
SPECIFICATIONS.
UNIT NOTES IN INCHES (mm).

REFERENCE ROSEMOUNT
PRODUCT SHEETS FOR
PRODUCT SPECIFICATIONS.
CLICK HERE

		3RD ANGLE		SIZE D	SCALE NTS
TITLE ROSEMOUNT 781S TYPE I DRAWING					
DR.	J. ARMSTRONG	9/20/19	DRAWING NO.	00781-7001	
APP'D	J. JI	9/20/19			
CAD MAINTAINED: (PRO/E)					SHEET 4 OF 5

EMERSON WIRELESS 781S SMART ANTENNA
MOUNTING CONFIGURATION (LEGACY)



©2015 ROSEMOUNT, INC.
ROSEMOUNT INC. RESERVES
THE RIGHT TO MAKE CHANGES IN
THIS DRAWING WITHOUT NOTICE.
IN ACCORDANCE WITH
ROSEMOUNT ENGINEERING
SPECIFICATIONS.
UNIT NOTES IN INCHES (mm).

REFERENCE ROSEMOUNT
PRODUCT SHEETS FOR
PRODUCT SPECIFICATIONS.
CLICK HERE

EMERSON

TITLE
ROSEMOUNT 781S
TYPE I DRAWING

DR. J. ARMSTRONG 9/20/19 DRAWING NO. 00781-7001

APP'D J. JI 9/20/19

CAD MAINTAINED (PRO/E) SHEET 5 OF 5