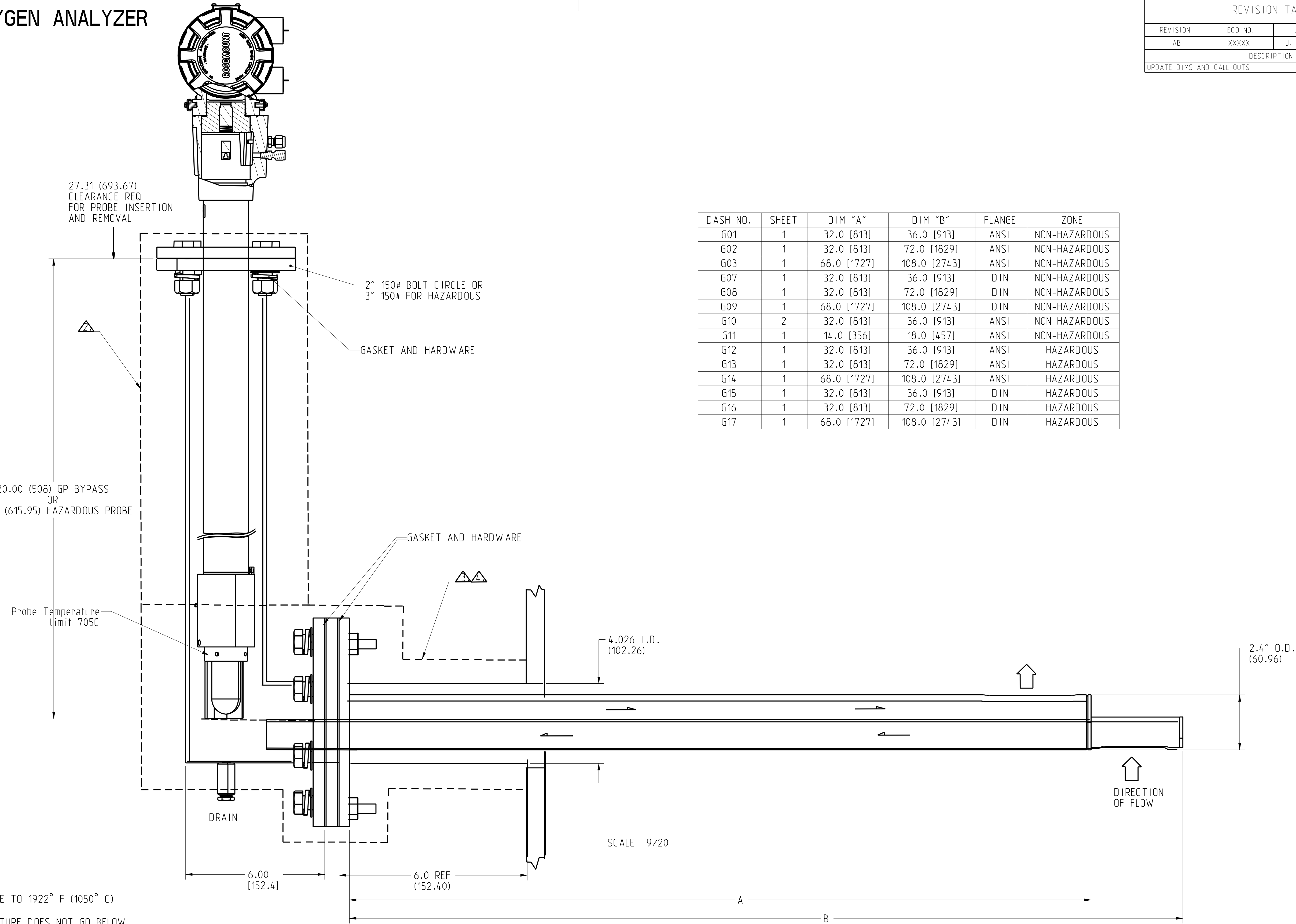
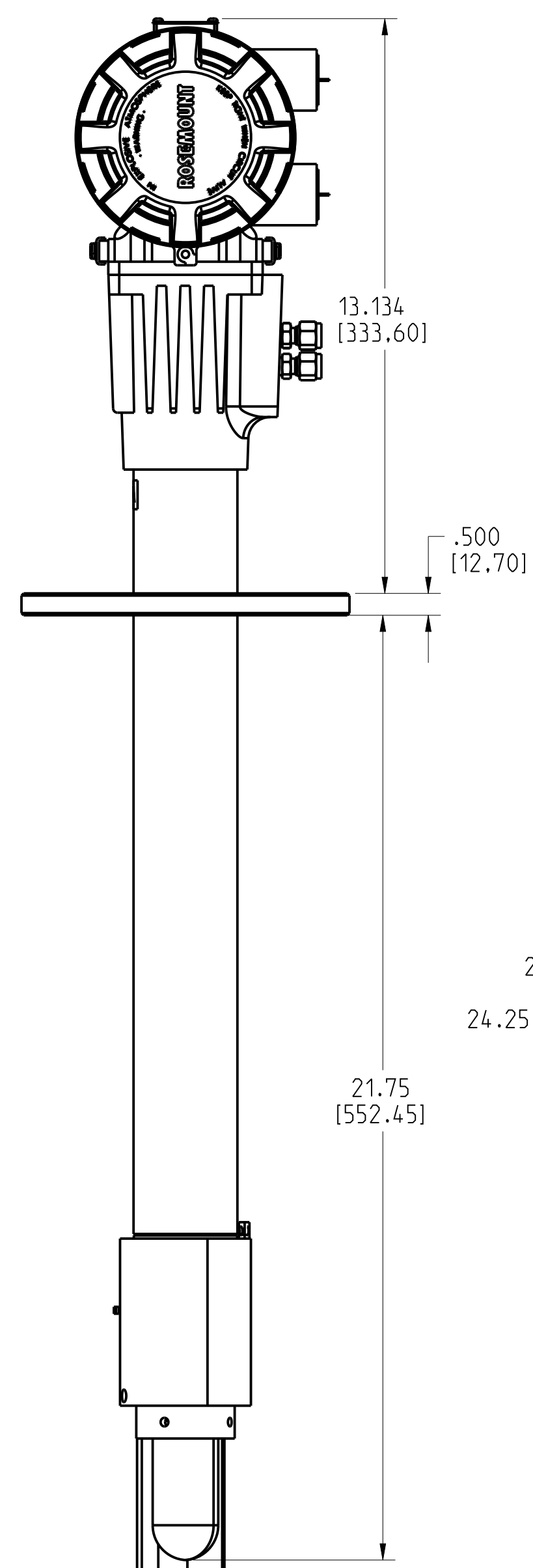


ROSEMOUNT BYPASS OXYGEN ANALYZER PACKAGE

REVISION TABLE			
REVISION	ECO NO.	APP'D	DATE
AB	XXXXX	J. SUMSTED	1/31/22
DESCRIPTION			
UPDATE DIMS AND CALL-OUTS			



DASH NO.	SHEET	DIM "A"	DIM "B"	FLANGE	ZONE
G01	1	32.0 [813]	36.0 [913]	ANSI	NON-HAZARDOUS
G02	1	32.0 [813]	72.0 [1829]	ANSI	NON-HAZARDOUS
G03	1	68.0 [1727]	108.0 [2743]	ANSI	NON-HAZARDOUS
G07	1	32.0 [813]	36.0 [913]	DIN	NON-HAZARDOUS
G08	1	32.0 [813]	72.0 [1829]	DIN	NON-HAZARDOUS
G09	1	68.0 [1727]	108.0 [2743]	DIN	NON-HAZARDOUS
G10	2	32.0 [813]	36.0 [913]	ANSI	NON-HAZARDOUS
G11	1	14.0 [356]	18.0 [457]	ANSI	NON-HAZARDOUS
G12	1	32.0 [813]	36.0 [913]	ANSI	HAZARDOUS
G13	1	32.0 [813]	72.0 [1829]	ANSI	HAZARDOUS
G14	1	68.0 [1727]	108.0 [2743]	ANSI	HAZARDOUS
G15	1	32.0 [813]	36.0 [913]	DIN	HAZARDOUS
G16	1	32.0 [813]	72.0 [1829]	DIN	HAZARDOUS
G17	1	68.0 [1727]	108.0 [2743]	DIN	HAZARDOUS

- NOTES:
1. FLUE GAS OPERATING TEMPERATURE RANGE TO 1922° F (1050° C)
 2. INSULATE TO INSURE FLUE GAS TEMPERATURE DOES NOT GO BELOW DEW POINT OR EXCEED 1050° C OR PROBE TEMPERATURE OF 705° C. RECOMMEND TWO INCH THK INSULATION THERMAL CONDUCTIVITY K EQUALS 0.5 FOR INSULATION.
 3. SHIELD THE HORIZONTAL SECTION FROM COLD OR WET WAETHER AS NEEDED TO KEEP WALL TEMPERATURE ABOVE DEW POINT.
 4. INSULATE HORIZONTAL SECTION ONLY IF BYPASS WALL TEMPERATURES IS BELOW DEWPOINT. DO NOT EXCEED FLUE GAS TEMPERATURE OF 1050° C OR PROBE TEMPERATURE OF 705° C.
 5. ALL DIMENSIONS ARE IN INCHES WITH MILLIMETERS IN PARENTHESIS UNLESS INDICATED OTHERWISE.
- DIMENSION DRAWINGS SUBJECT TO CHANGE WITHOUT NOTIFICATION.

©2015 ROSEMOUNT, INC. ROSEMOUNT INCORPORATES THIS INFORMATION IN THIS DRAWING WITH ROSEMOUNT ENGINEERING SPECIFICATIONS. UNIT NOTES IN INCHES (mm).

REFERENCE ROSEMOUNT PRODUCT SHEETS FOR PRODUCT SPECIFICATIONS. CLICK HERE

3RD ANGLE

EMERSON

TITLE: ROSEMOUNT BYPASS TYPE I DRAWING

DR. J. ARMSTRONG 6/6/19 DRAWING NO. 3D39004-7000

APP'D J. SUMSTAD 6/6/19

CAD MAINTAINED (PRO/EI) SHEET 1 OF 1