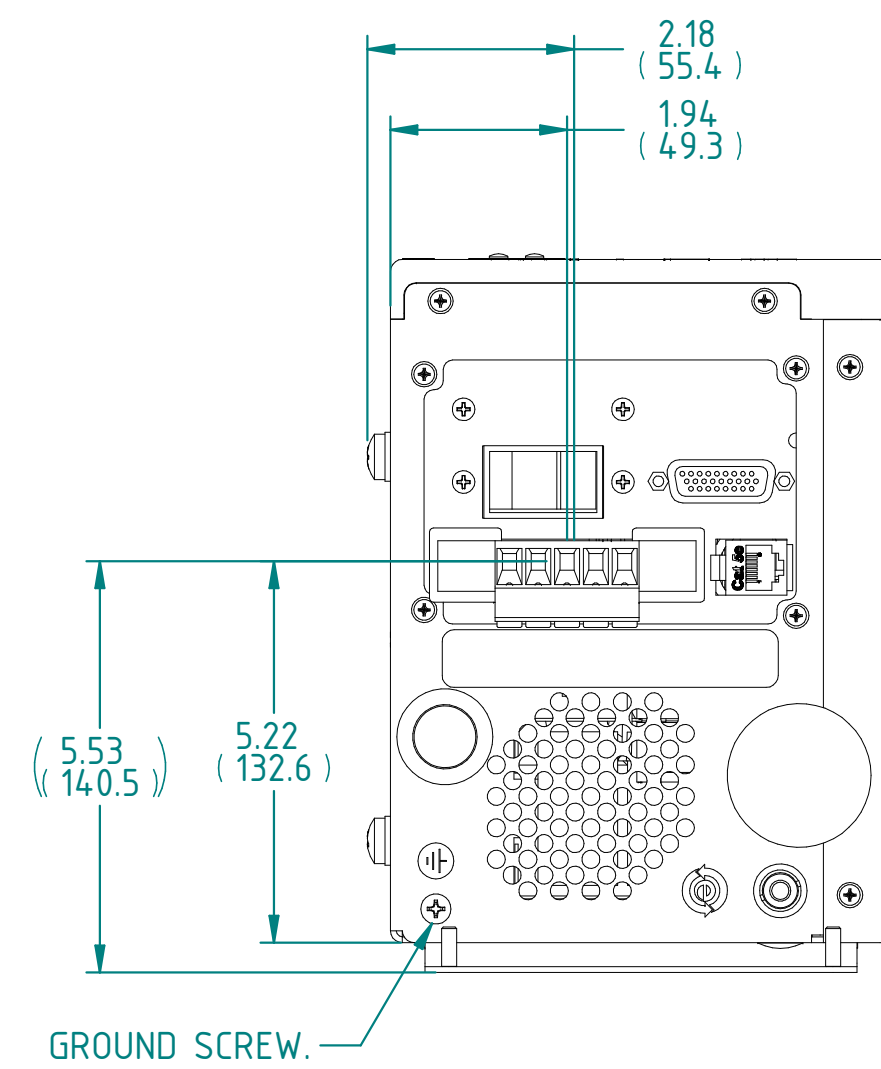
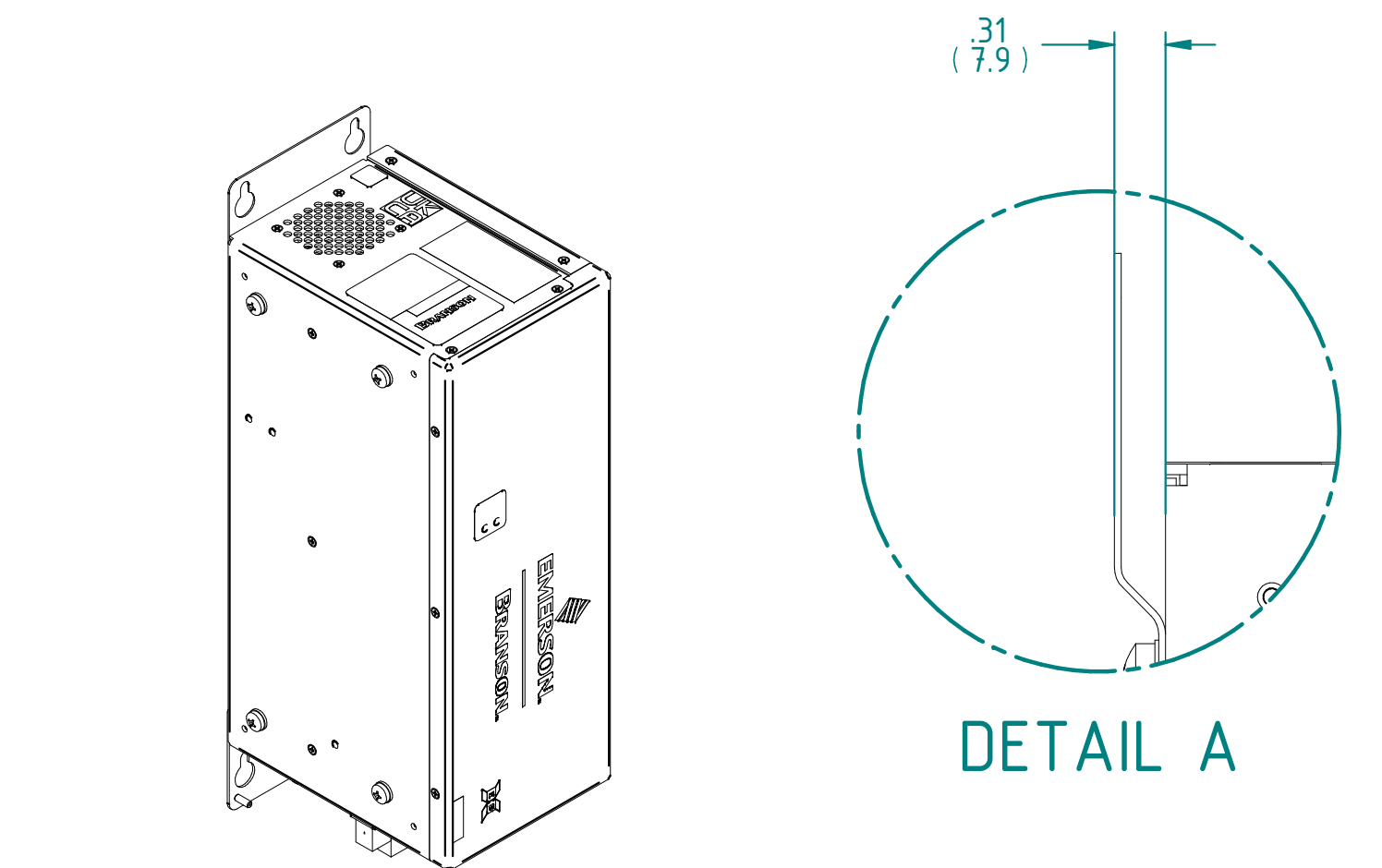
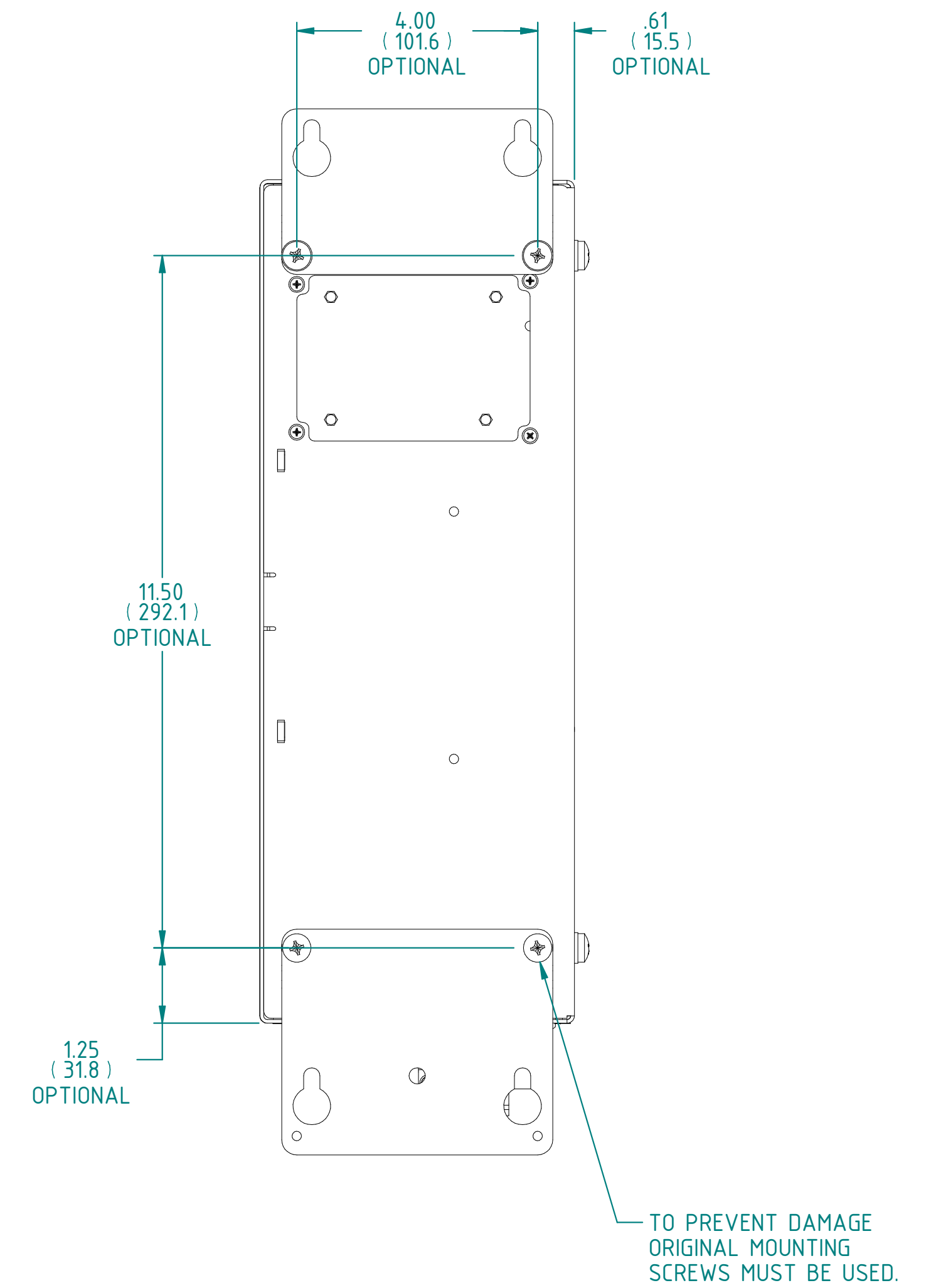
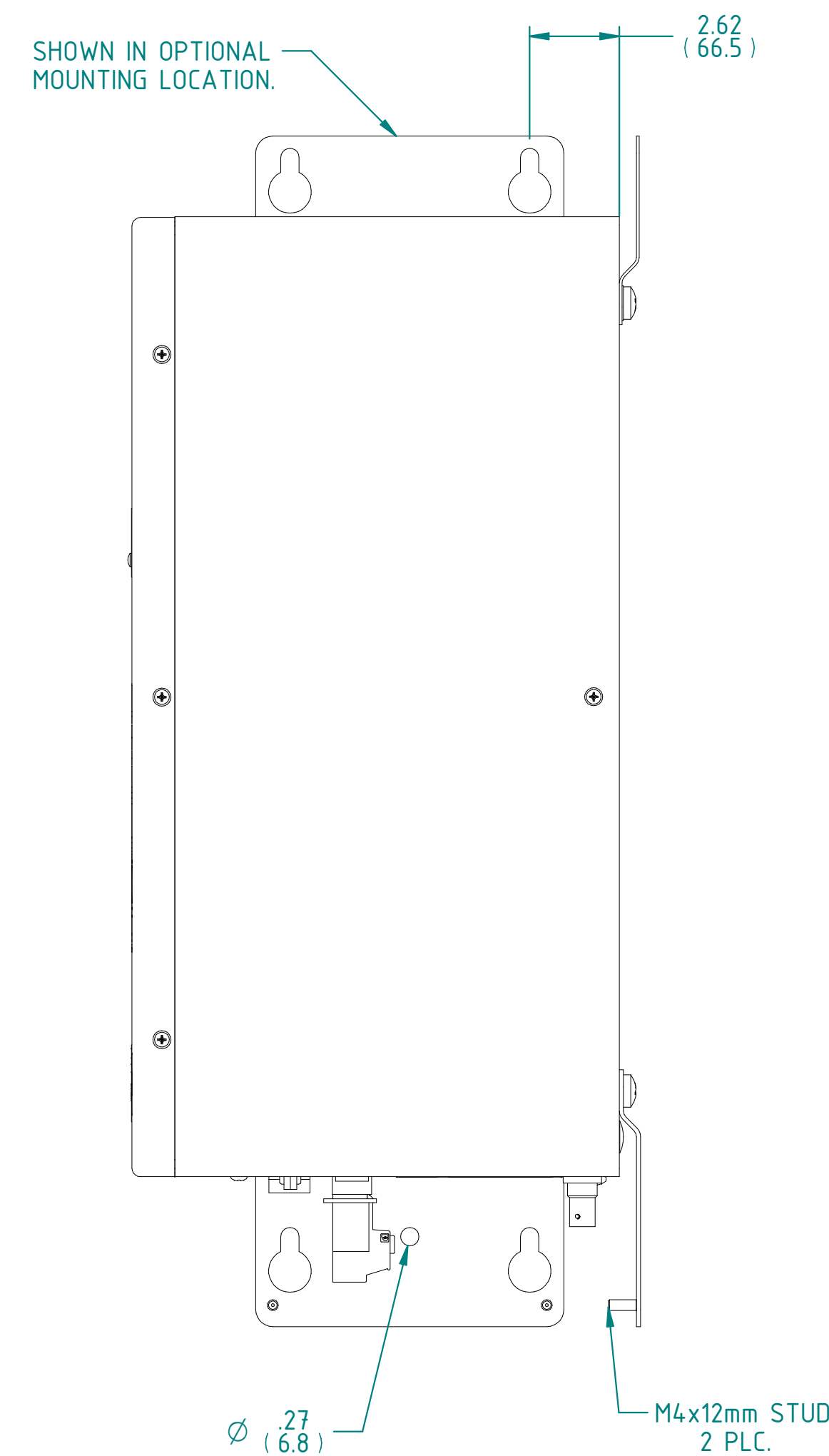
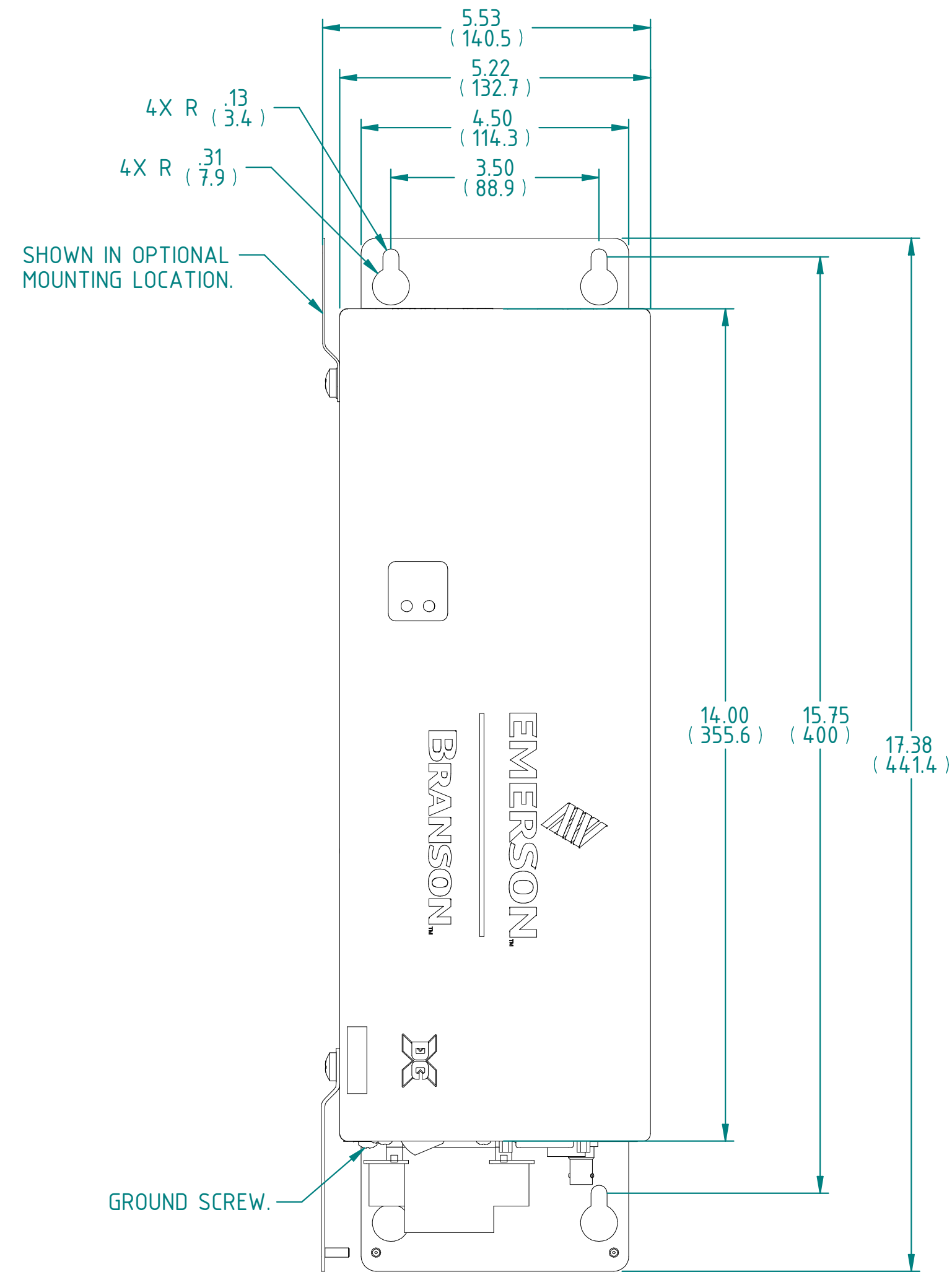
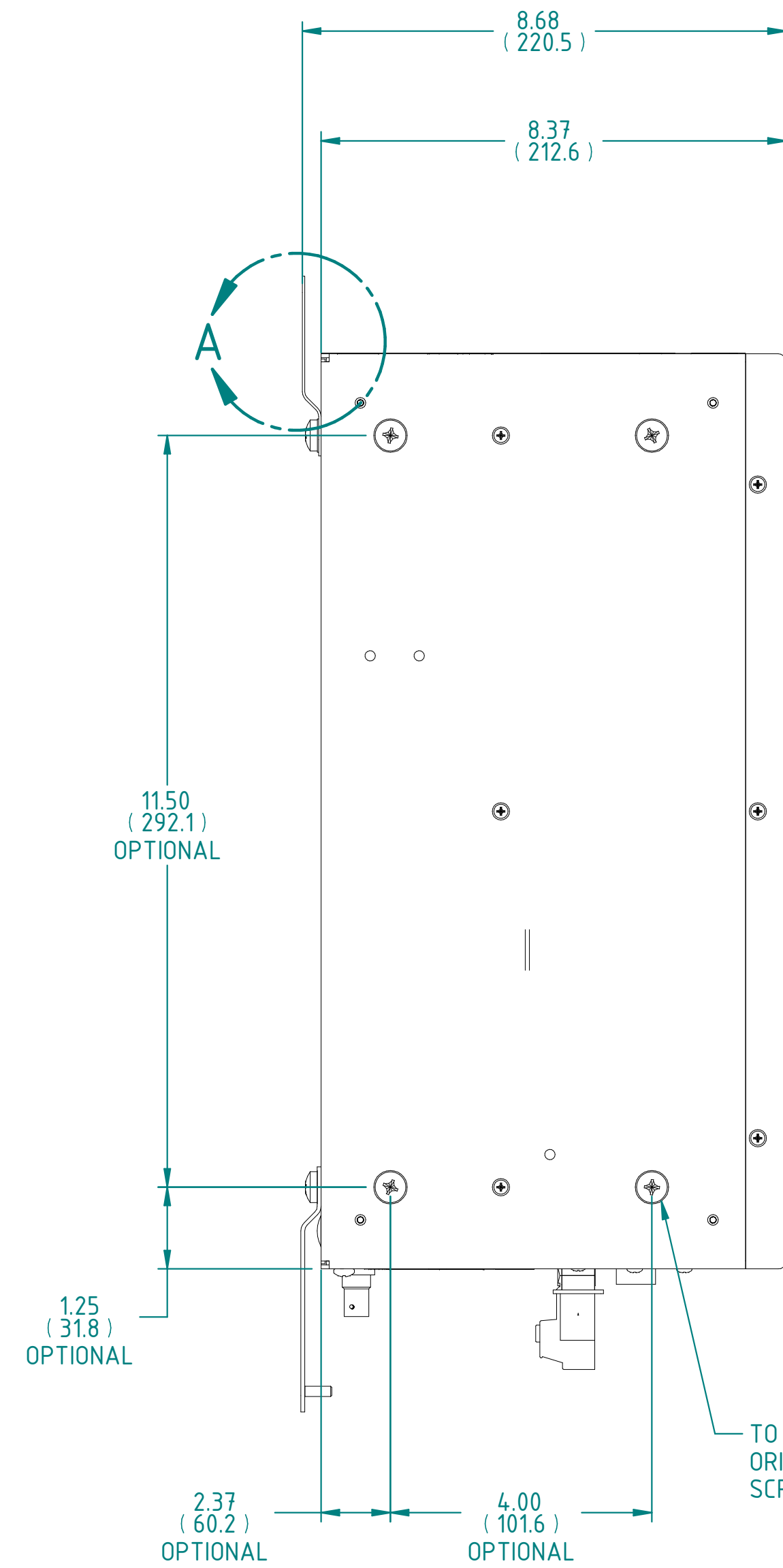


REVISIONS					
ZONE	REV	DESCRIPTION	DATE	ECN/ECO	APPR.
A7-B8, C4-C5, G6-H8	01	UPDATED TO SHOW LATEST REVISION, THE CHANGES OF BOTTOM BRACKET & CHANGES IN BACK PANEL LOCATION; ADDED DIMENSION 5.53 & .27; ADDED 4X TO DIMENSIONS .13 & .31; CORRECTED MINOR DETAILS.	2/7/2018	22264	AAMG JVL
ALL	02	UPDATED PER IMPACT ANALYSIS	1/13/23	104476	JCN HTR



- NOTES: UNLESS OTHER SPECIFIED
1. ALL DIMENSIONS ARE APPROXIMATE.
 2. 3.0in (76mm) RECOMMENDED CLEARANCE ON THE TOP FOR FAN.
 3. 5.0in (127mm) RECOMMENDED CLEARANCE ON THE BOTTOM FOR CABLES.

UNLESS OTHERWISE SPECIFIED
 DIMENSIONS ARE IN INCHES
 AND TOLERANCES ARE:
 2 PLACE DECIMALS ±.005
 3 PLACE DECIMALS ±.0005
 4 PLACE DECIMALS ±.00005
 ANGLES ° FRACTIONS 1/32 SURFACE FINISH
 GD & T Standard ASME Y 14.5
 SECONDARY DIMENSIONS
 ARE PROVIDED FOR
 REFERENCE ONLY

This PROPRIETARY Document is
 property of Branson Ultrasonics
 Corp., Brookfield, CT.
 It is confidential in nature,
 non-transferable, and issued with
 the clear understanding that it is
 not traced or copied without
 permission and is returnable upon
 demand.
 Article or material must comply
 with requirements stipulated by
 RoHS in its current version.

MATERIAL:
 N/A
 Material Spec. N/A
 FINISH:
 N/A
 Finish Spec. N/A

NAME	DATE
DRAWN JFBH	12/05/11
CHECKED E. R.	12/05/11
APPROVED JFBH	12/05/11
SCALE: 1:2	SHEET 1 OF 1

BRANSON		TITLE	
		OUTLINE DCX VALUE VRT MD	
AGENCY PART	NO	WEIGHT	0.000 lbm
BUC CLASSIFICATION	3 Important	SIZE/DWG NO	931-132-1815
IP CLASSIFICATION	NO	REV	02

SOLID EDGE