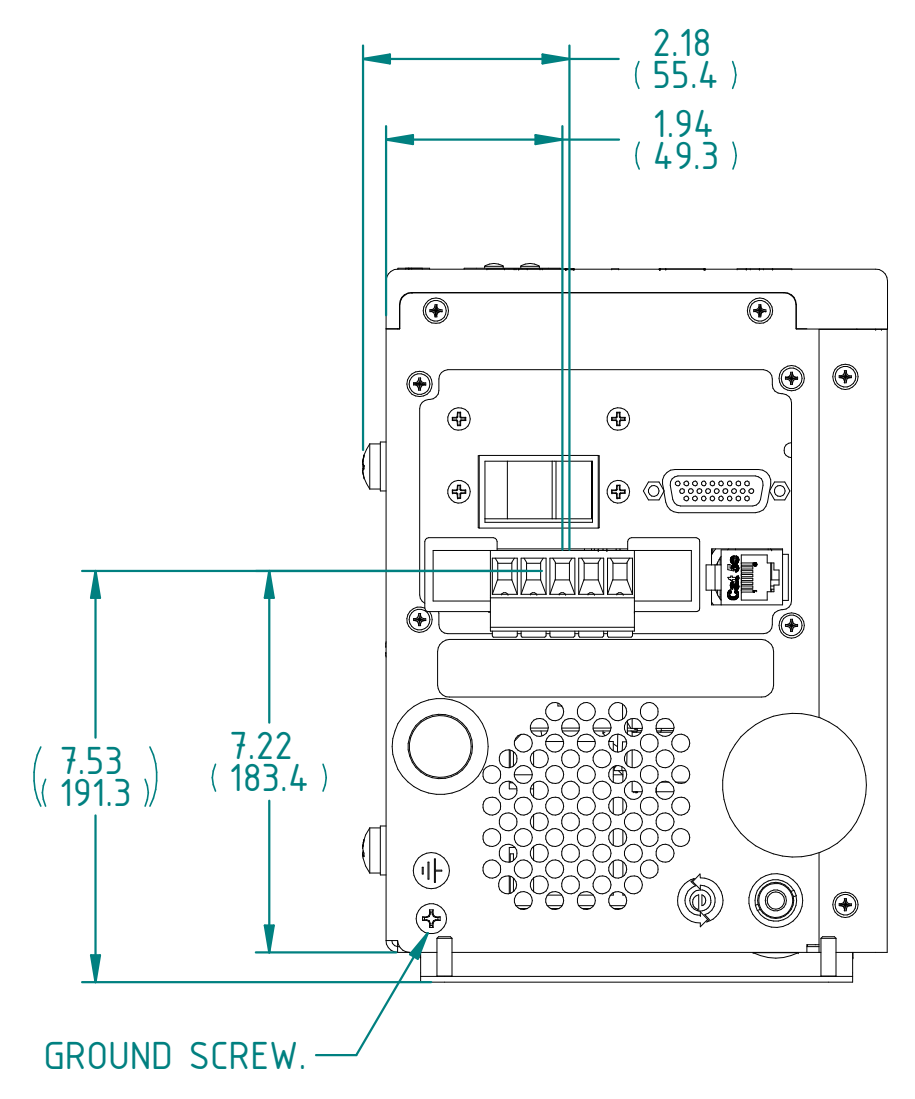
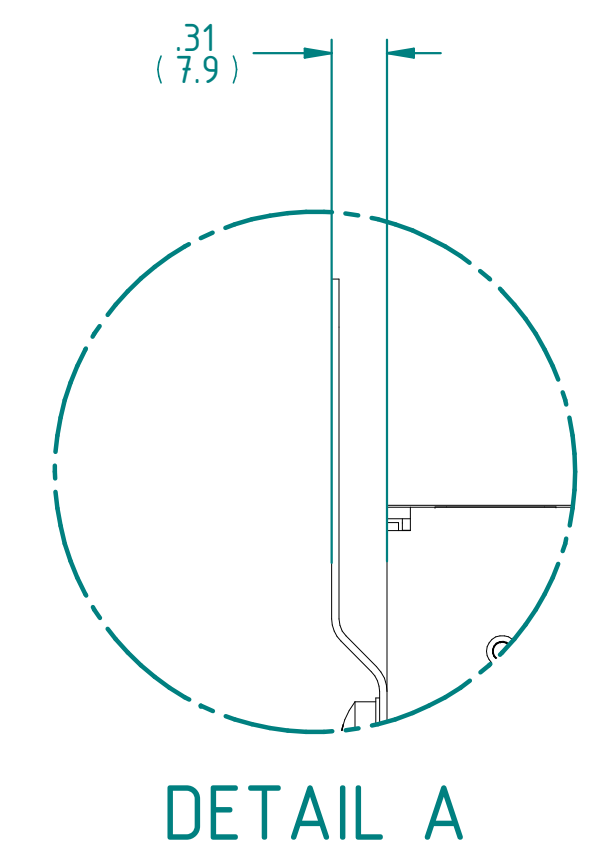
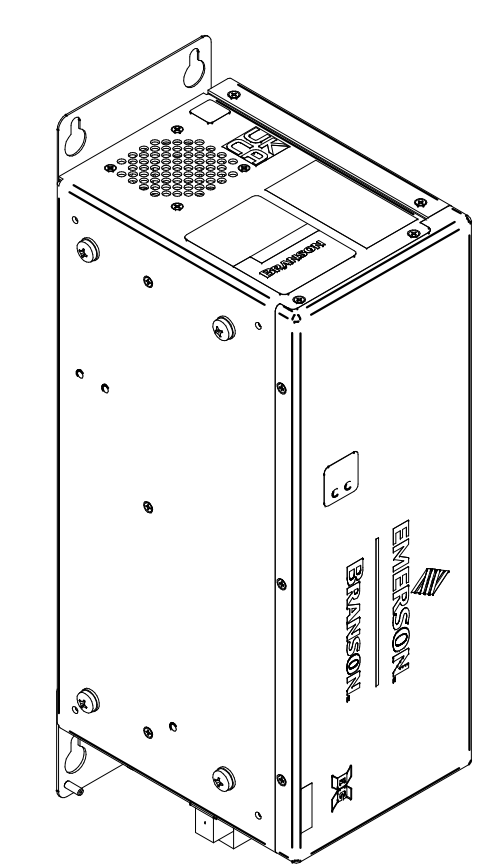
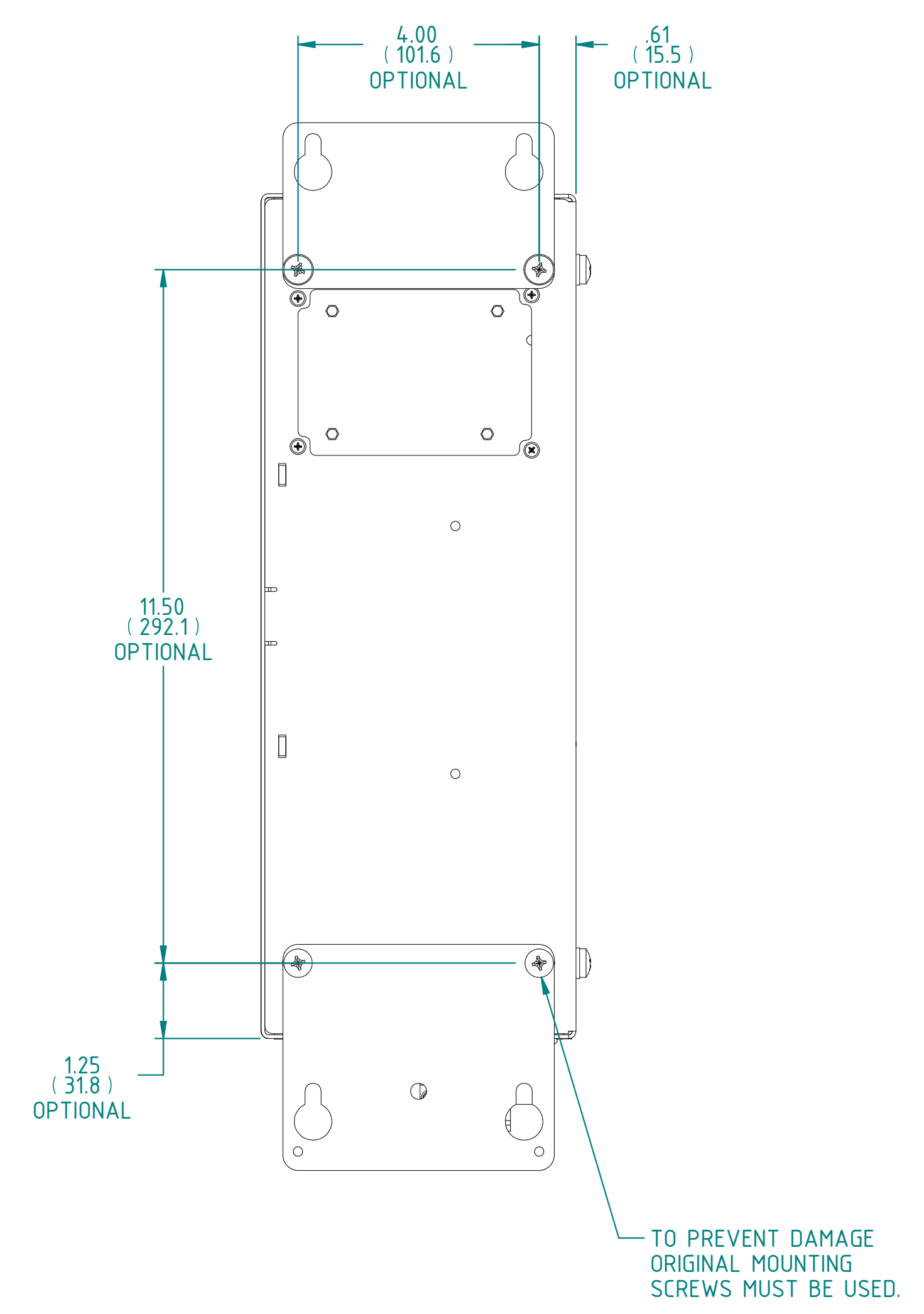
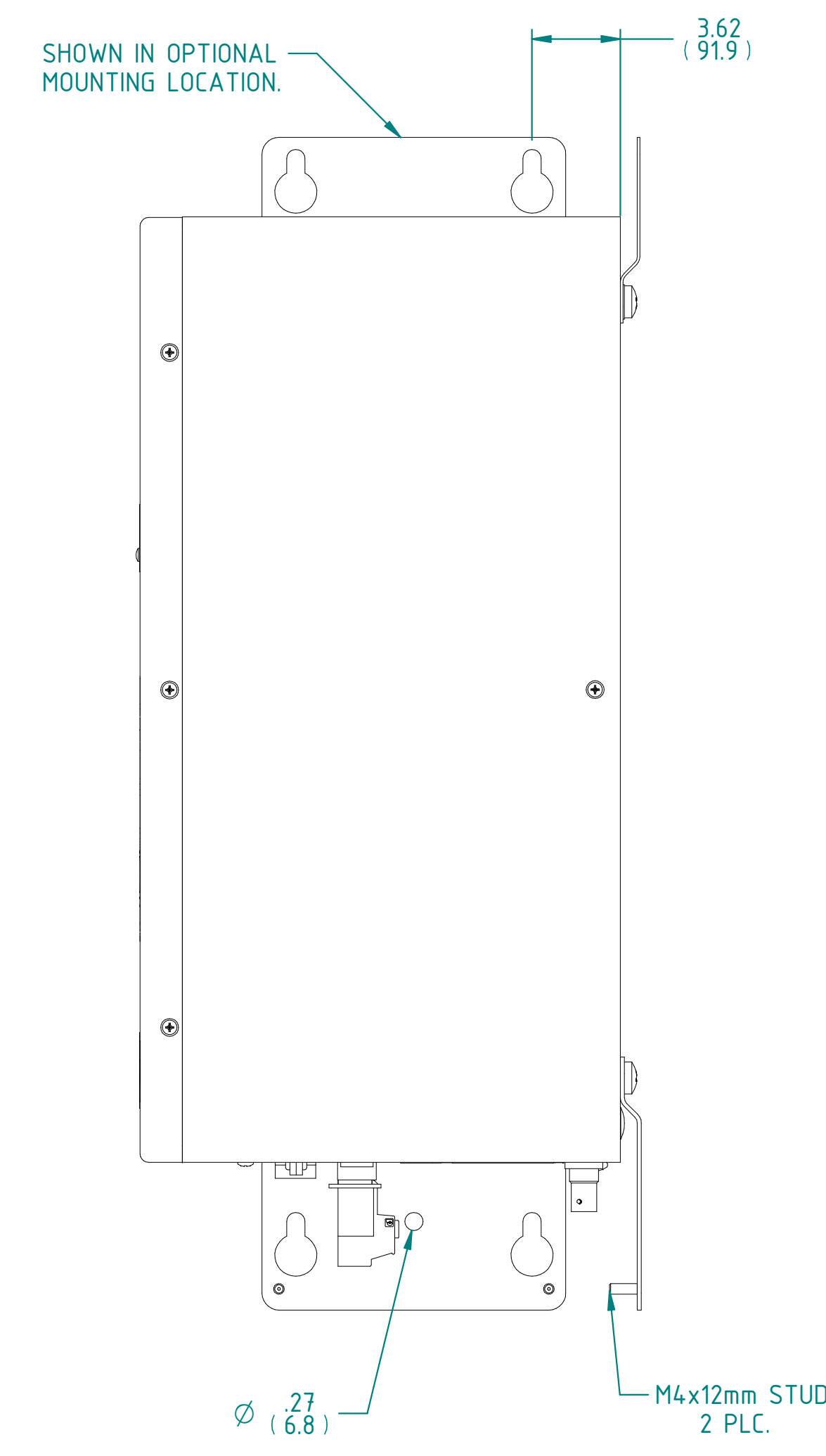
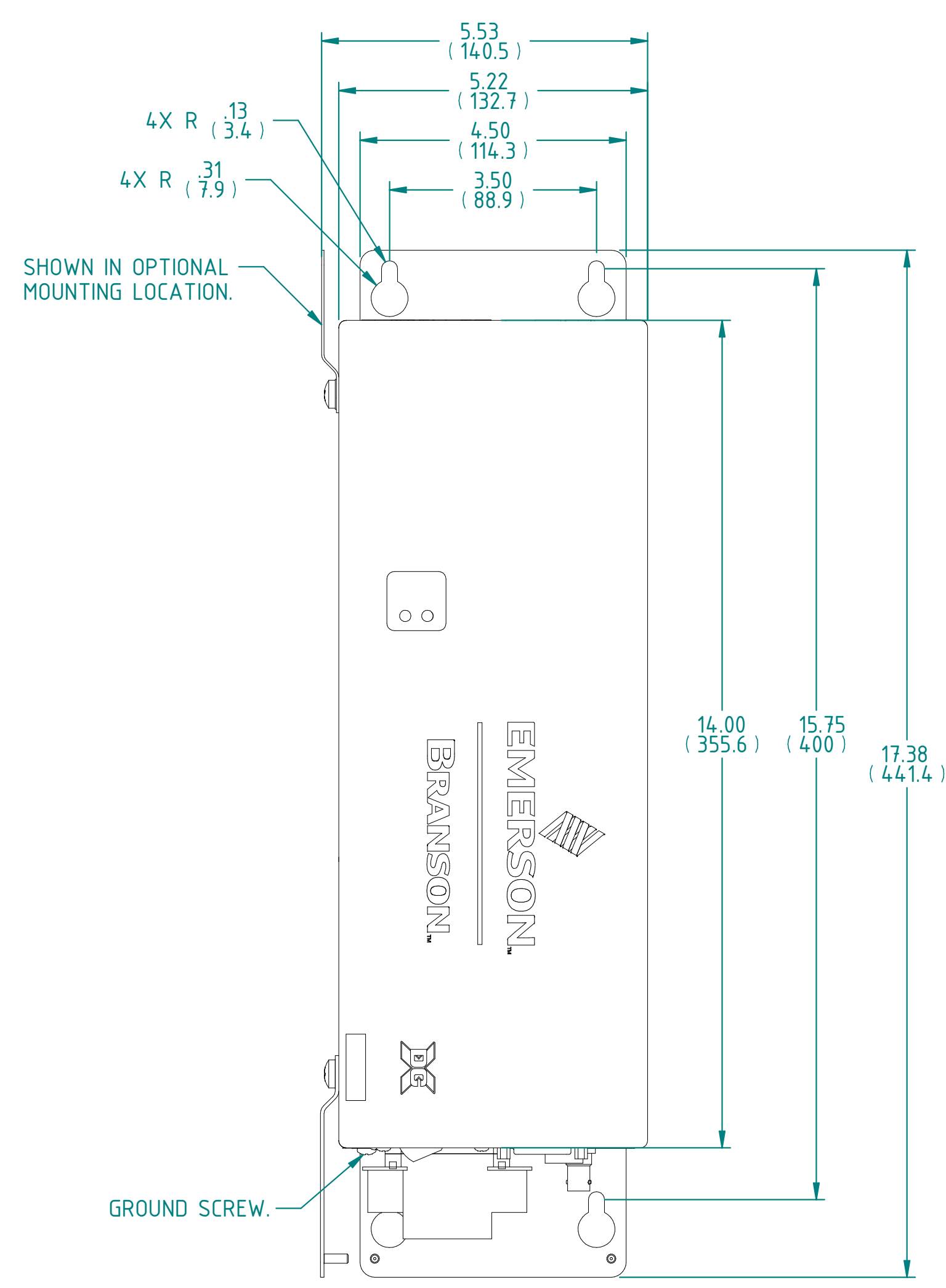
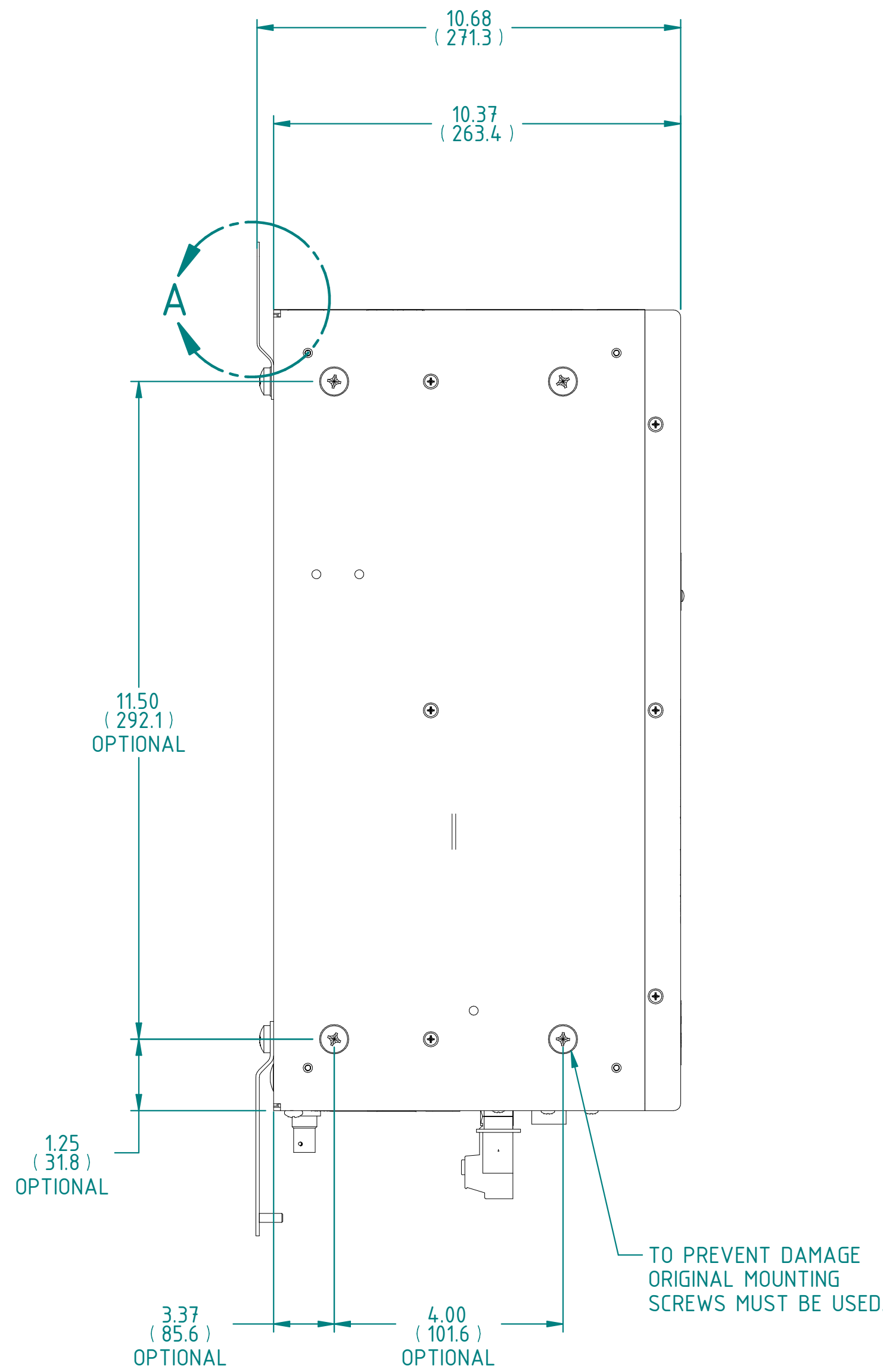


REVISIONS						
ZONE	REV	DESCRIPTION	DATE	ECN/ECO	DRAWN	APPR.
A7-B8, C4-C5, G6-H8	01	UPDATED TO SHOW LATEST REVISION, THE CHANGES OF BOTTOM BRACKET & CHANGES IN BACK PANEL LOCATION; ADDED DIMENSION 5.53 & .27; ADDED 4X TO DIMENSIONS .13 & .31; CORRECTED MINOR DETAILS.	2/7/2018	22264	AAMG	JVL
ALL	02	UPDATED PER IMPACT ANALYSIS	1/13/23	104476	JCN	HTR



- NOTES: UNLESS OTHERWISE SPECIFIED
1. ALL DIMENSIONS ARE APPROXIMATE.
 2. 3.0in (76mm) RECOMMENDED CLEARANCE ON THE TOP FOR FAN.
 3. 5.0in (127mm) RECOMMENDED CLEARANCE ON THE BOTTOM FOR CABLES.

<small>UNLESS OTHERWISE SPECIFIED: DIMENSIONS ARE IN INCHES AND TOLERANCES ARE: 2 PLACE DECIMALS ±.005 3 PLACE DECIMALS ±.0005 4 PLACE DECIMALS ±.00005 ANGLES ±1° FRACTIONS 1/32 SURFACE FINISH</small> GD & T Standard ASME Y 14.5 <small>SECONDARY DIMENSIONS ARE PROVIDED FOR REFERENCE ONLY.</small>	<small>This PROPRIETARY Document is property of Branson Ultrasonics Corp., Brookfield, CT. It is confidential in nature, non-transferable, and issued with the clear understanding that it is not traced or copied without permission and is returnable upon demand.</small>		<small>MATERIAL: N/A</small>				BRANSON																					
	<small>Article or material must comply with requirements stipulated by RoHS in its current version.</small>		<small>Material Spec. N/A</small>				OUTLINE DCX VALUE VRT LG																					
	<small>3RD ANGLE PROJECTION</small>		<small>FINISH: N/A</small>				<table border="1"> <tr> <th>NAME</th> <th>DATE</th> </tr> <tr> <td>JFBH</td> <td>12/05/11</td> </tr> <tr> <td>E. R.</td> <td>12/05/11</td> </tr> <tr> <td>JFBH</td> <td>12/05/11</td> </tr> </table>		NAME	DATE	JFBH	12/05/11	E. R.	12/05/11	JFBH	12/05/11	<table border="1"> <tr> <td>AGENCY PART</td> <td>NO</td> </tr> <tr> <td>BUC CLASSIFICATION</td> <td>3 Important</td> </tr> <tr> <td>IP CLASSIFICATION</td> <td>NO</td> </tr> <tr> <td>WEIGHT</td> <td>0.000 lbm</td> </tr> <tr> <td>SIZE DWG NO</td> <td></td> </tr> </table>		AGENCY PART	NO	BUC CLASSIFICATION	3 Important	IP CLASSIFICATION	NO	WEIGHT	0.000 lbm	SIZE DWG NO	
	NAME	DATE																										
JFBH	12/05/11																											
E. R.	12/05/11																											
JFBH	12/05/11																											
AGENCY PART	NO																											
BUC CLASSIFICATION	3 Important																											
IP CLASSIFICATION	NO																											
WEIGHT	0.000 lbm																											
SIZE DWG NO																												
<small>SCALE: 1:2</small>		<small>SHEET 1 OF 1</small>		931-132-1816		REV 02																						

SOLID EDGE