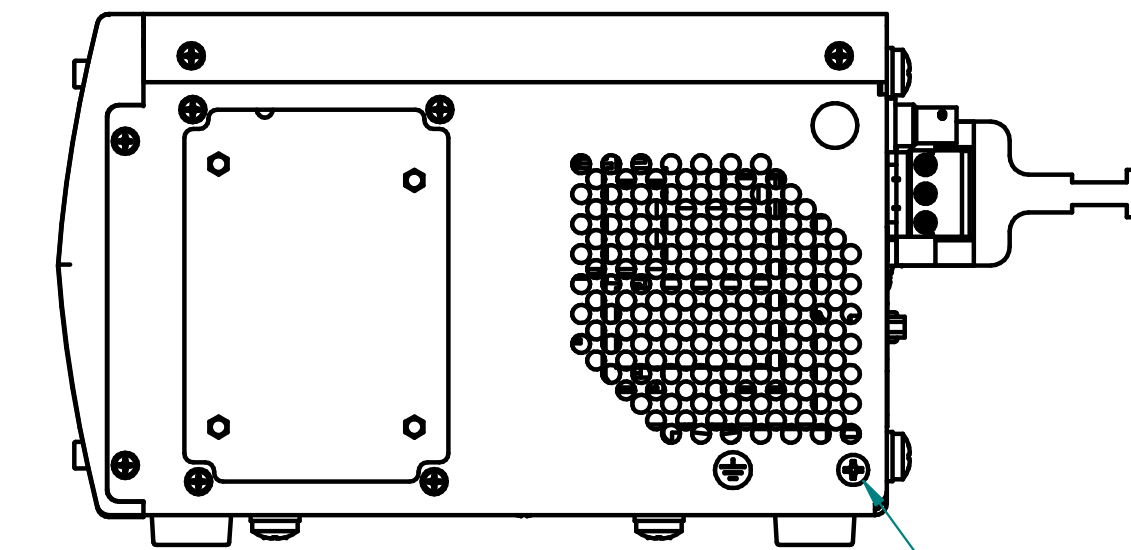
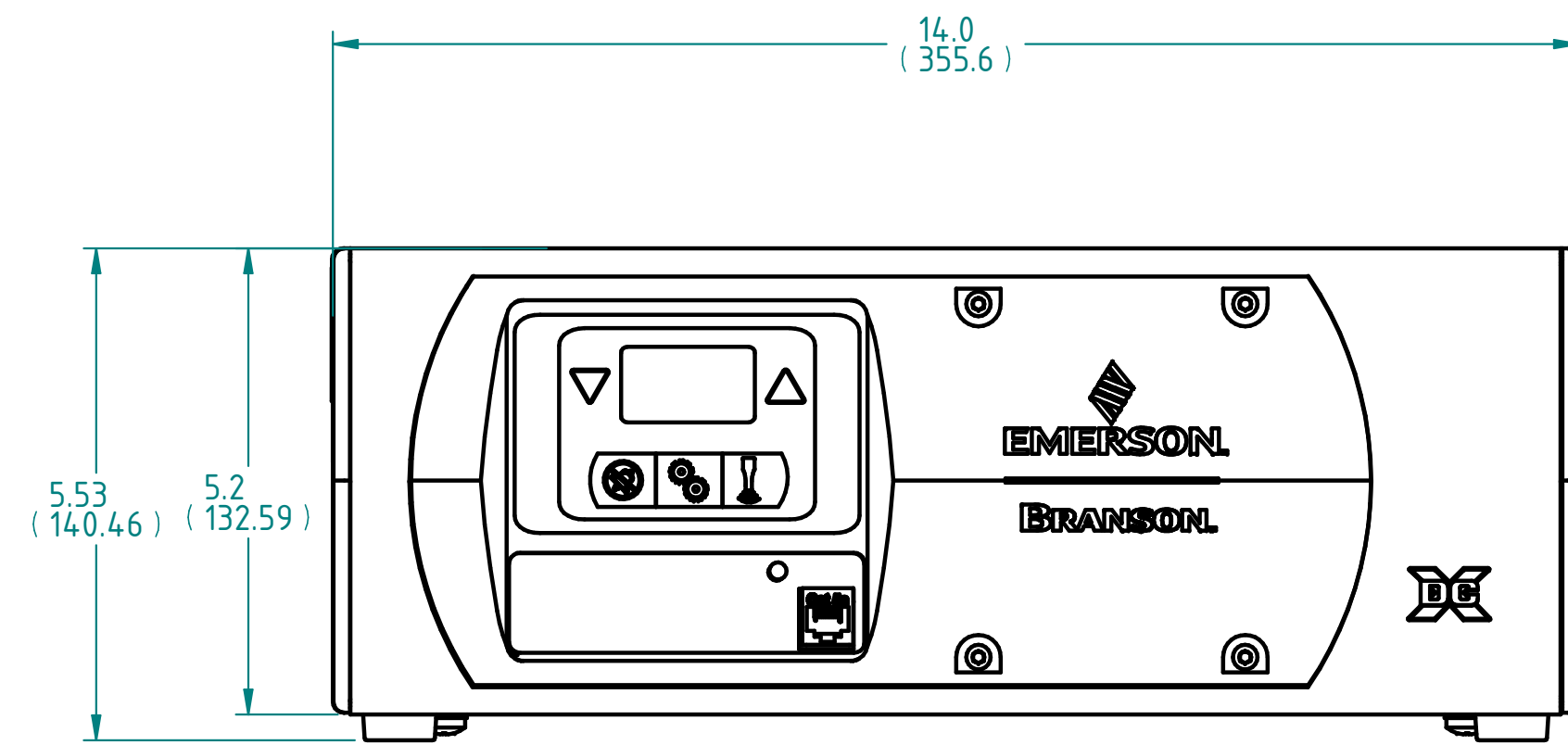
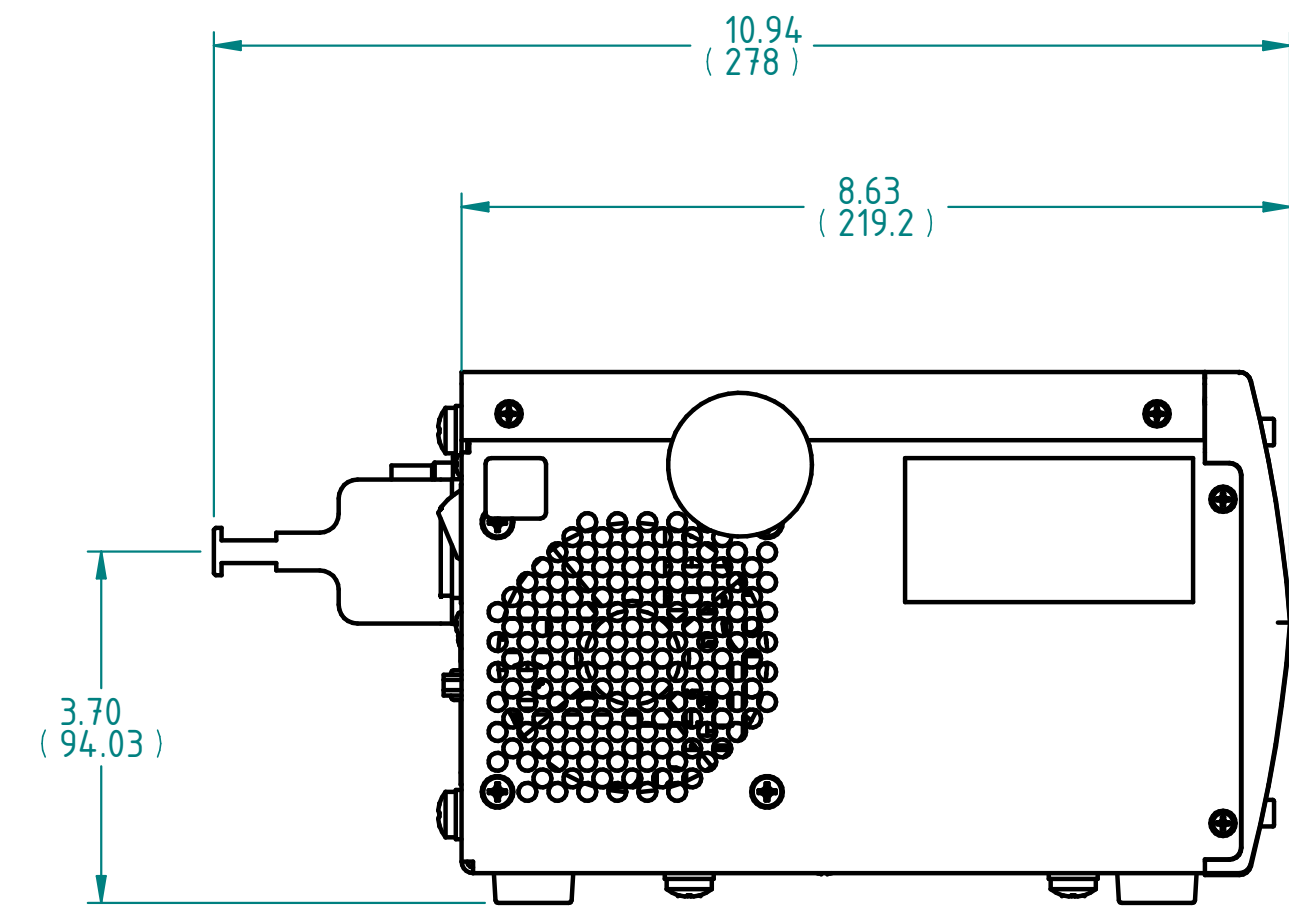
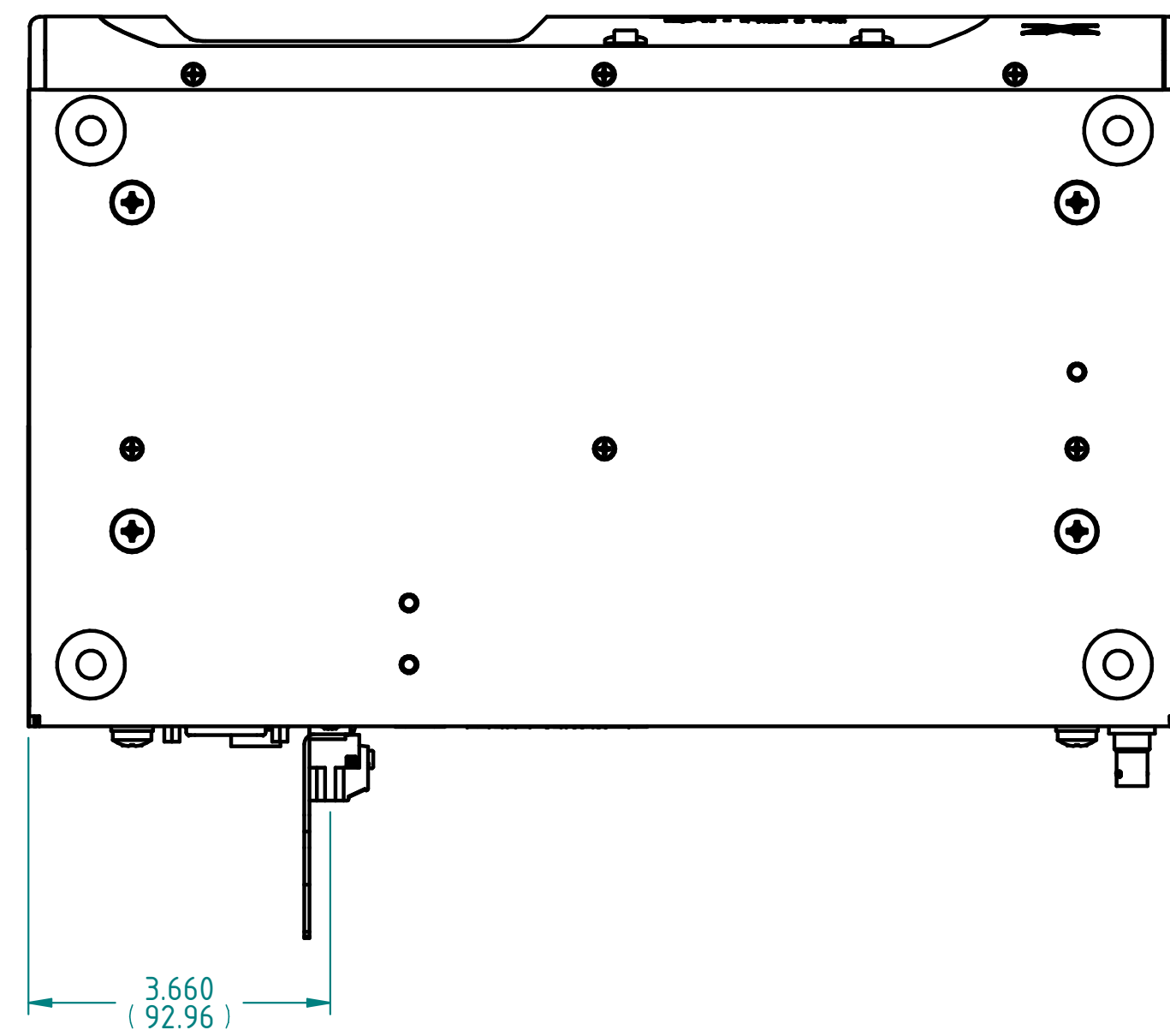
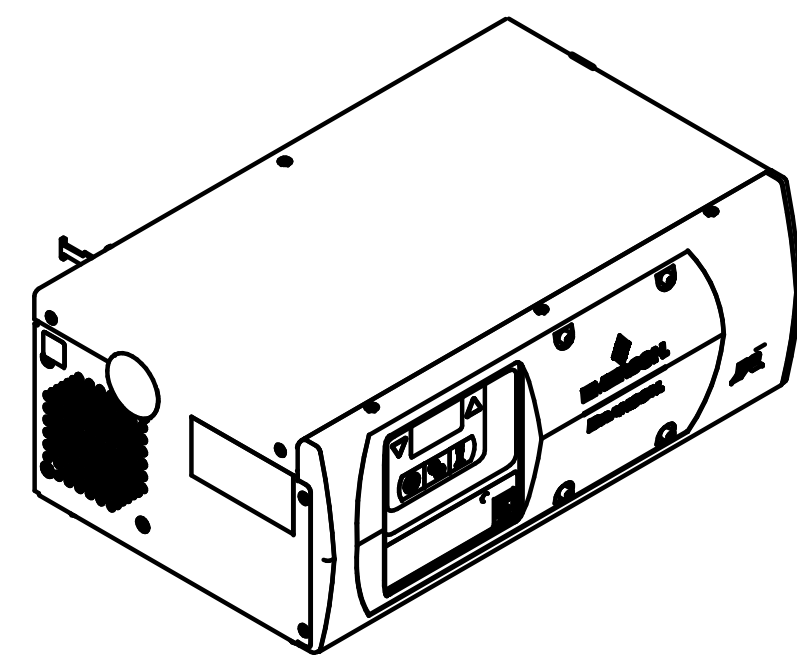


REVISIONS						
ZONE	REV	DESCRIPTION	DATE	ECN/ECO	DRAWN	APPR.
ALL	01	UPDATED PER IMPACT ANALYSIS	1/13/23	104476	JCN	HTR
ALL	02	UPDATED PER IMPACT ANALYSIS	3/8/23	104618	JCN	HTR



GROUND SCREW.

GROUND SCREW.



- NOTES: UNLESS OTHERWISE SPECIFIED
1. ALL DIMENSIONS ARE APPROXIMATE.
 2. 3.0in (76mm) RECOMMENDED CLEARANCE ON BOTH SIDES FOR THE FAN.
 3. 5.0in (127mm) RECOMMENDED CLEARANCE IN THE BACK FOR CABLES.

UNLESS OTHERWISE SPECIFIED
DIMENSIONS ARE IN INCHES
AND TOLERANCES ARE:
2 PLACE DECIMALS ±0.05
3 PLACE DECIMALS ±0.005
4 PLACE DECIMALS ±0.0005
ANGLES ±1° FRACTIONS 1/32 SURFACE FINISH ✓
GD & T Standard ASME Y 14.5
SECONDARY DIMENSIONS
ARE PROVIDED FOR
REFERENCE ONLY

This PROPRIETARY Document is
property of Branson Ultrasonics
Corp., Brookfield, CT.
It is confidential in nature,
non-transferable, and issued with
the clear understanding that it is
not traced or copied without
permission and is returnable upon
demand.
Article or material must comply
with requirements stipulated by
RoHS in its current version.

MATERIAL:
N/A
Material Spec. N/A
FINISH:
N/A
Finish Spec. N/A

NAME	DATE
DRAWN JFBII	12/01/11
CHECKED E. R.	12/01/11
APPROVED JFBII	12/01/11
SCALE: 1:2	SHEET 1 OF 1

BRANSON		TITLE	
		OUTLINE DCX STANDARD HOR MD	
AGENCY PART	NO	WEIGHT	0.000 lbm
BUC CLASSIFICATION	3 Important	SIZE/DWG NO	931-132-1792
IP CLASSIFICATION	NO	REV	02

SOLID EDGE