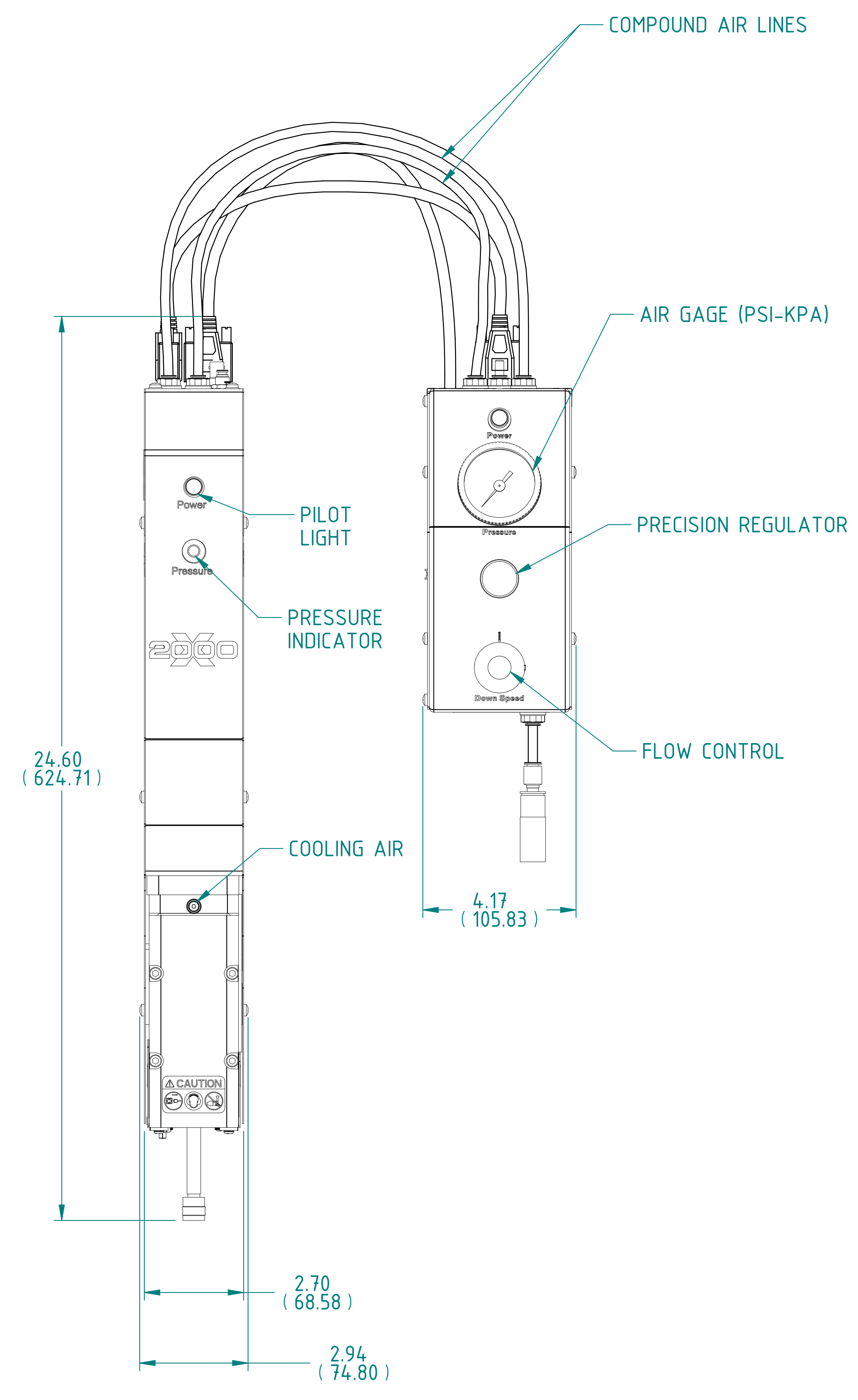
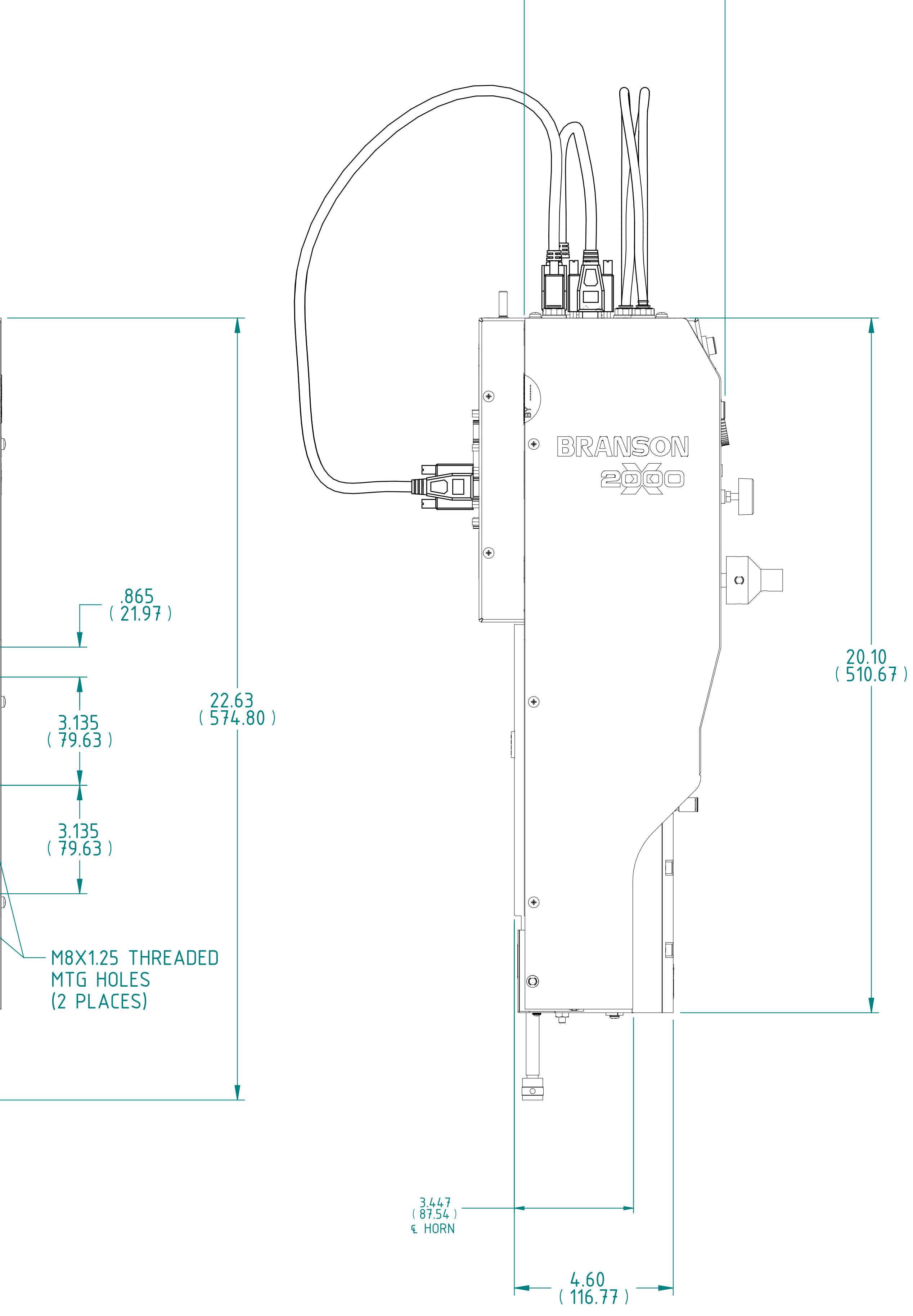
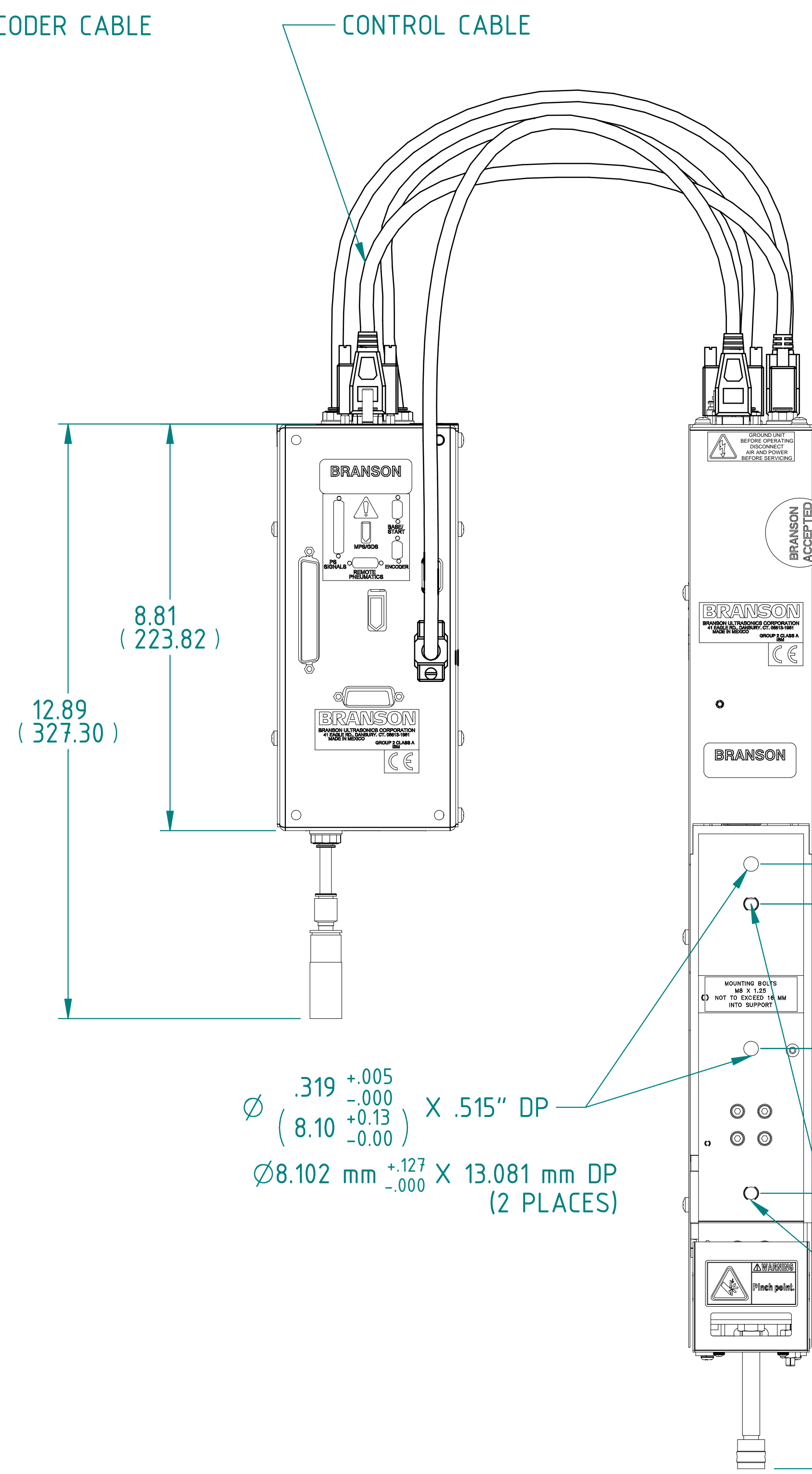
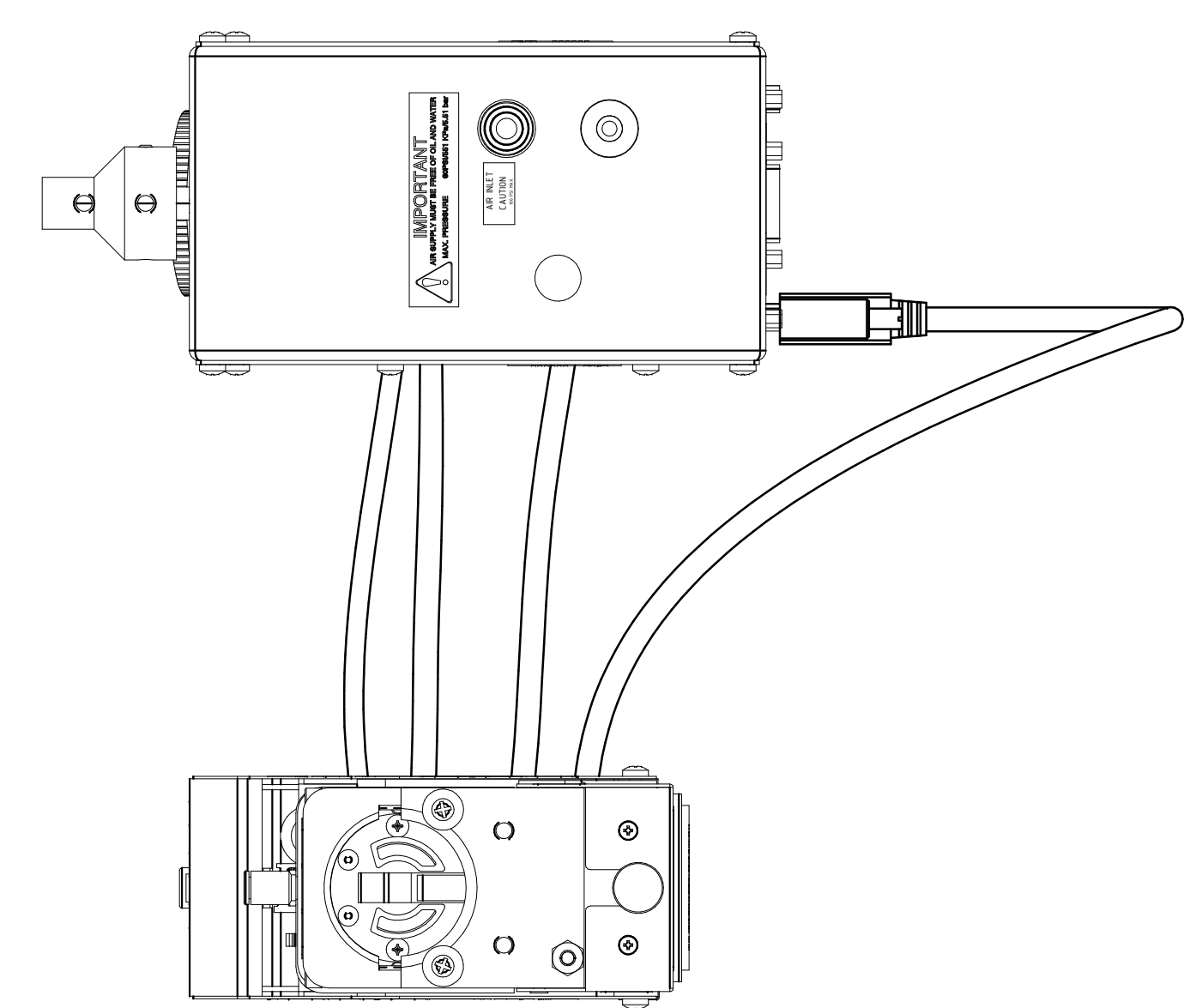
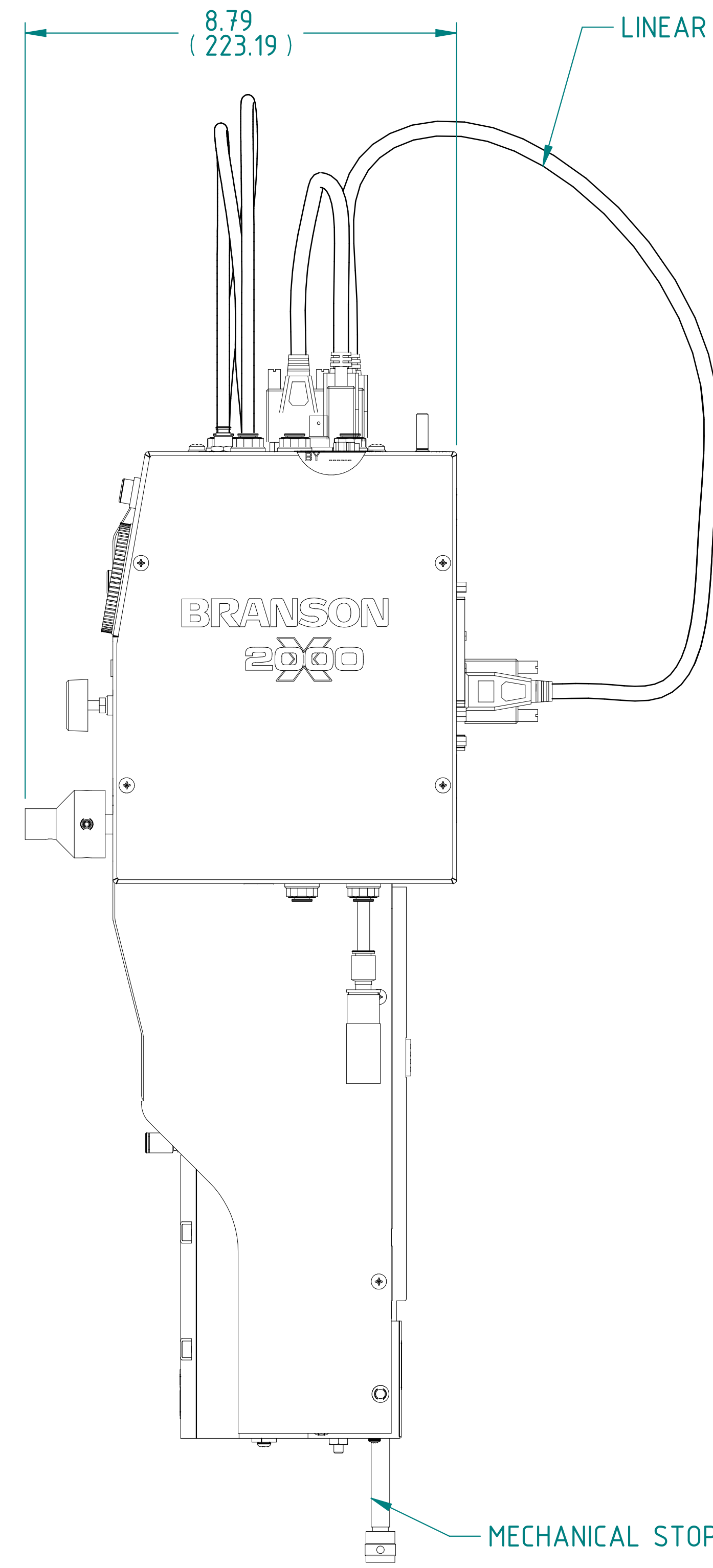
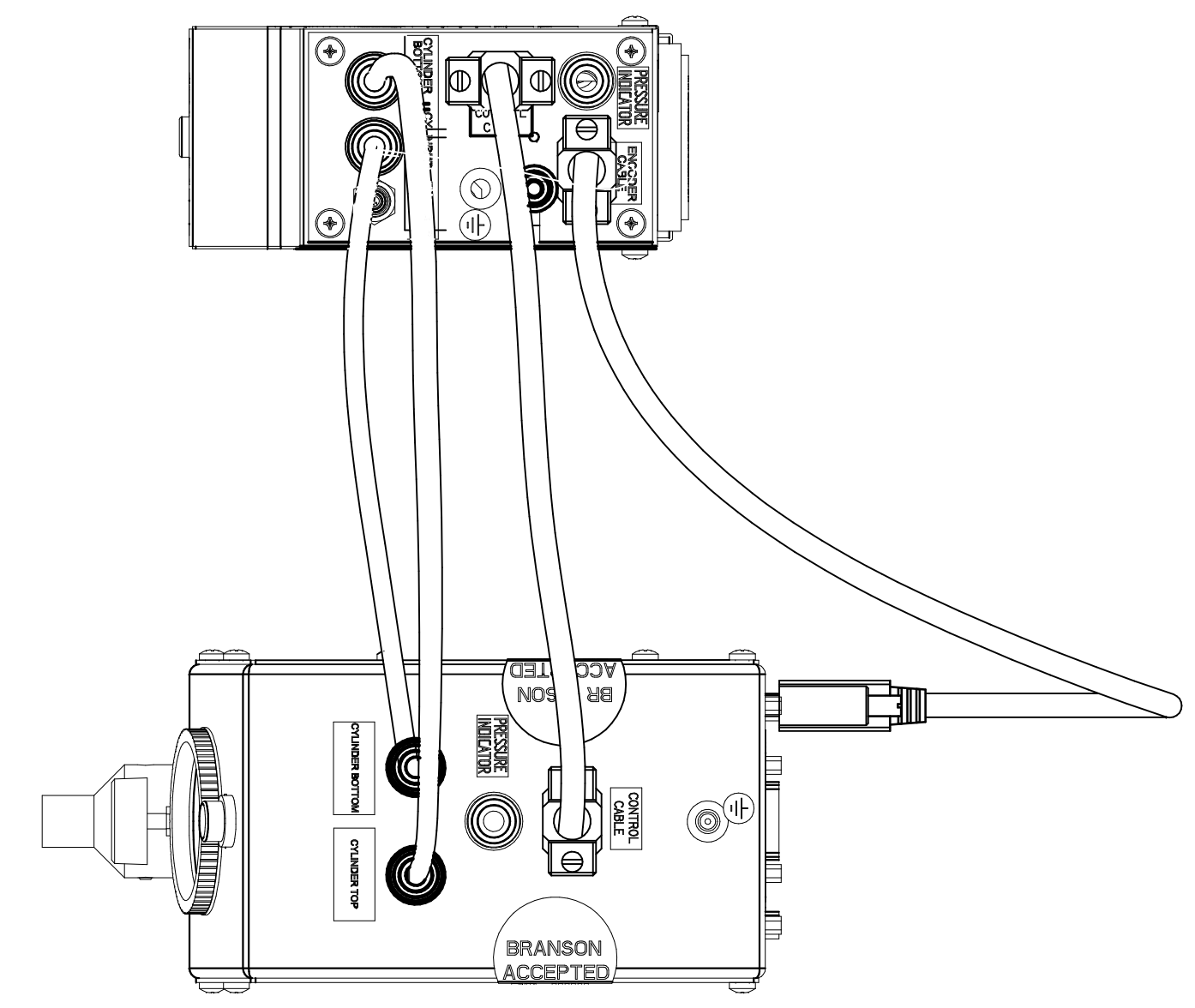


REVISIONS						
ZONE	REV	DESCRIPTION	DATE	ECN/ECO	DRAWN	APPR.
---	1	UPDATED TO SHOW CHANGES DONE ON THE PREVIOUS ASSEMBLIES	3-31-10	0-2174	ERS	NLG
---	2	ADDED DIMENSIONS	7-29-10	0-2186	ERS	NLG
---	03	CHANGED MEASURE FROM 3.377" TO 3.447"	2/17/11	0-2302	JVL	NLG
---	04	REDRAWN IN SOLID EDGE	8/28/13	20345	F.ZHAD	R.ELIAS
C3	05	CORRECTED DIMENSION 3.447 WAS 3.422	07/07/14	20710	DHM	ERS
ALL	06	UPDATED PER IMPACT ANALYSIS	12/10/14	20937	DHM	ERS



$\varnothing .319^{+0.005}_{-0.000} \times .515" \text{ DP}$   
 $\varnothing 8.10^{+0.13}_{-0.00} \times 13.081 \text{ mm DP (2 PLACES)}$   
 $\varnothing 8.102 \text{ mm}^{+0.127}_{-0.000} \times 13.081 \text{ mm DP (2 PLACES)}$   
 M8X1.25 THREADED MTG HOLES (2 PLACES)

NOTES:  
ALL DIMENSIONS ARE APPROXIMATE.

<small>UNLESS OTHERWISE SPECIFIED DIMENSIONS ARE IN INCHES AND TOLERANCES ARE: 2 PLACE DECIMALS ±.015 3 PLACE DECIMALS ±.005 ANGLES ° FRACTIONS 1/32</small> <small>SURFACE FINISH</small> <small>SECONDARY DIMENSIONS ARE PROVIDED FOR REFERENCE ONLY</small> <small>3RD ANGLE PROJECTION</small>	<small>This PROPRIETARY Document is property of Branson Ultrasonics Corp., Danbury, CT. It is confidential in nature, non-transferable, and issued with the clear understanding that it is not traced or copied without permission and is returnable upon demand.</small> <small>Article or material must comply with requirements stipulated by RoHS in it's current version.</small>	<small>MATERIAL:</small> N/A  <small>Material Spec:</small> N/A  <small>FINISH:</small> N/A  <small>Finish Spec:</small> N/A	<b>EMERSON</b> Industrial Automation		<b>BRANSON</b>	
			<small>TITLE</small> OUTLINE MICRO 2000X		<small>DATE</small> 03-08-10	
<small>SCALE</small> 1:2 <small>SHEET</small> 1 OF 1		<small>DRAWN</small> ERS <small>CHECKED</small> NLG <small>APPROVED</small> NLG		<small>DATE</small> 03-08-10 <small>DATE</small> 03-08-10		<small>SIZE</small> DWG NO E 931-134-290