

⚠ WHEN UNIT HAS F/P ASSEMBLY 3-0700-013, 24VDC POWER CABLE 3-0700-096 (AC POWER) OR 3-0700-074 (DC POWER) IS CONNECTED TO F/P ASSEMBLY TB1 PINS 1 & 2, AND CABLE 3-0700-075 IS INSTALLED BETWEEN F/P ASSEMBLY AND FTB. IF THE UNIT HAS THE OPTIONAL LOI, THE 24VDC POWER CABLE 3-0700-096 OR 3-0700-074 IS CONNECTED TO FTB ASSEMBLY J1 1 & 3 PINS, AND 3-0700-075 CABLE IS NOT REQUIRED.

SI METRIC	G	11-26-07	CC	ECO-XX-5003270	EM	DLT
THIRD ANGLE PROJECTION	F	7-13-07	CC	ECO-XX-5002900	EM	DLT
	E	6-5-07	CC	ECO-XX-5002845	EM	DM
	D	11-13-06	CC	ECO-XX-5001907	EM	DLT
	C	1-25-06	HM	ECO-XX-5001475	EM	DM
	B	1-10-06	HM	ECO-XX-5001163	EM	DLT
	A	8-18-05	HM	REL'D ECO-XX-5001027	EM	DLT
REV	DATE	DRN	DESCRIPTION	CHKD	APPD	
PROJ. FILE NO.	-00001	FILENAME:	DE21405G1.dwg, DATE: 15/17/10, TIME: 7:25 A.M.			

THIS DRAWING IN DESIGN AND DETAIL IS OUR PROPERTY AND MUST NOT BE USED EXCEPT IN CONNECTION WITH OUR WORK. IT SHALL NOT BE REPRODUCED AND SHALL BE RETURNED TO US ON DEMAND. ALL RIGHTS ARE RESERVED.

GEOMETRIC TOLERANCES & DIMENSIONS PER ANSI Y14.5 LATEST REVISION

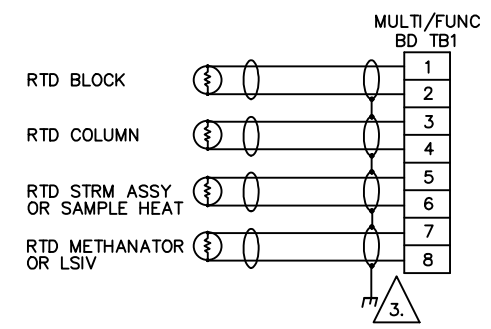
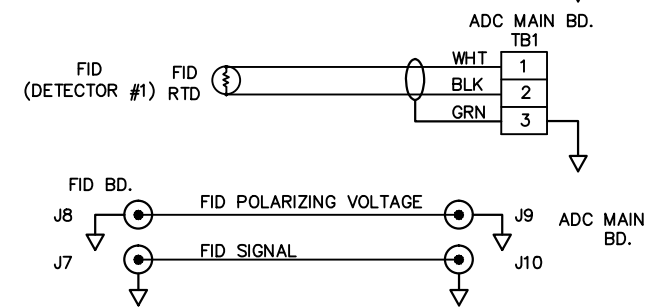
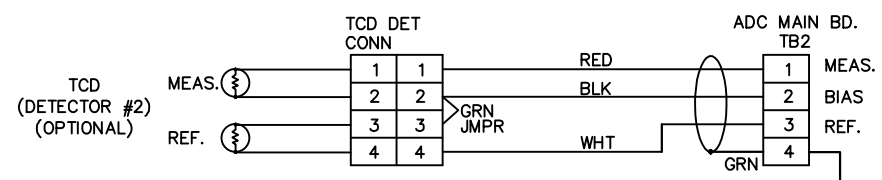
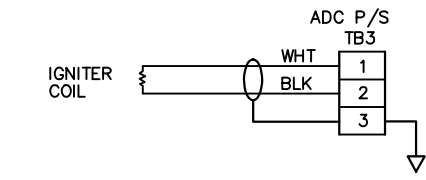
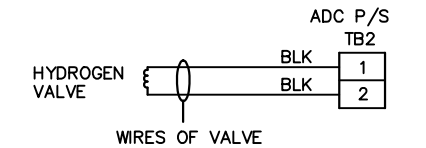
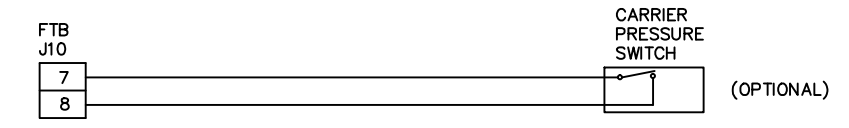
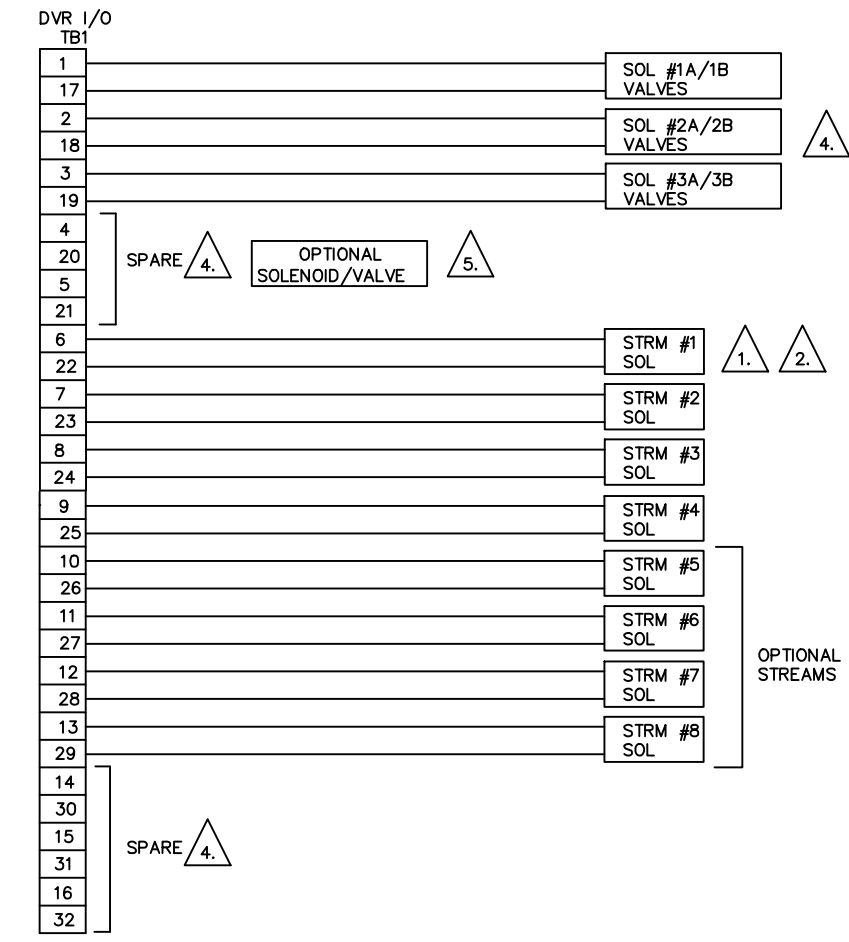
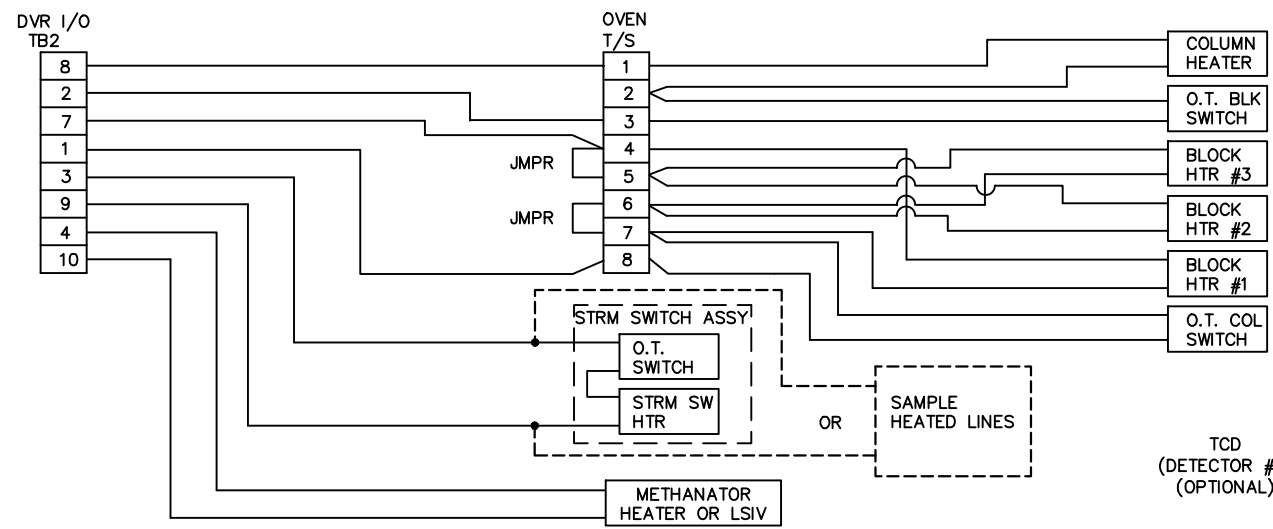
UNLESS OTHERWISE NOTED ALL DIMENSIONS IN INCHES  
 XXX ±.015  
 XXXX ±.005  
 ANGLAR ±.00' 30"  
 FINISH 200 RA MAX

BREAK ALL SHARP CORNERS TO .003-.015 RADIUS AND REMOVE ALL BURRS

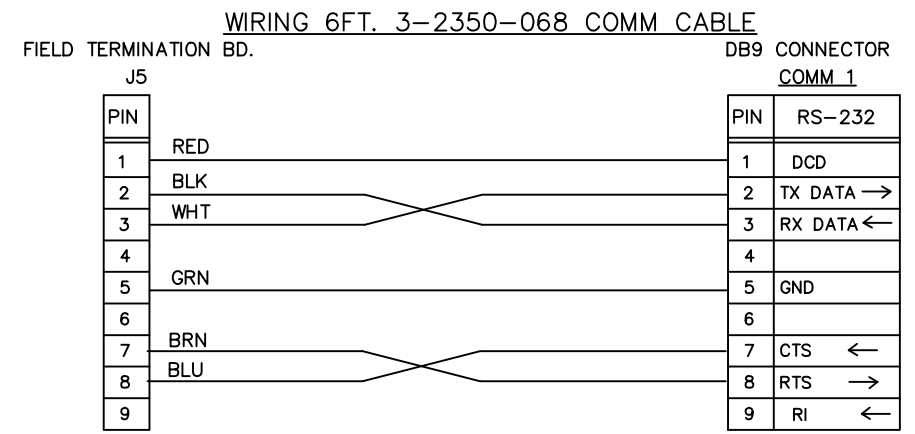
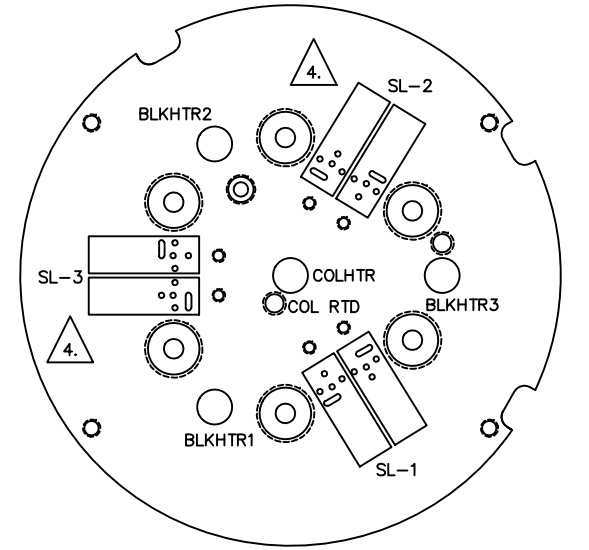
**EMERSON**  
Process Management

TITLE: INTERNAL CABLE WIRING MODEL 700 FID/TCD ANALYZER

DRN MANCHA	DATE 8-17-05	DWG NO.	DE-21405	REV	G
CHD EM	DATE 8-18-05	SCALE	N/A	SEE ORDER	SHT 1 OF 2
APP DLT	DATE 8-18-05				



- NOTES:
1. CALIBRATE IS THE LAST STREAM USED.
  2. IF THE STREAM SWITCHING IS DOUBLE BLOCK AND BLEED, THERE ARE TWO SOLENOIDS FOR EACH STREAM WIRED IN PARALLEL.
  3. CONNECT SHIELDS TO MOUNTING SCREW OF OVEN MOUNTING PLATE.
  4. SEE APPLICATION FLOW CONFIGURATION FOR NUMBER OF VALVE ACTUATION SOLENOIDS INSTALLED.
  5. OPTIONAL CHROMATOGRAPHIC VALVE OR ATMOSPHERIC VALVE SOLENOID WIRING. SEE APPLICATION FLOW CONFIGURATION AND/OR SAMPLE SYSTEM DRAWING.



SI METRIC	G	11-26-07	CC	ECO-XX-5003270	EM	DLT	THIS DRAWING IN DESIGN AND DETAIL IS OUR PROPERTY AND MUST NOT BE USED EXCEPT IN CONNECTION WITH OUR WORK. IT SHALL NOT BE REPRODUCED AND SHALL BE RETURNED TO US ON DEMAND. ALL RIGHTS ARE RESERVED.
THIRD ANGLE PROJECTION	F	7-13-07	CC	ECO-XX-5002900	EM	DLT	
MATERIAL	E	6-5-07	CC	ECO-XX-5002845	EM	DLT	GEOMETRIC TOLERANCES & DIMENSIONS PER ANSI Y14.5 LATEST REVISION
	D	11-13-06	CC	ECO-XX-5001907	EM	DLT	
FINISH	C	1-25-06	HM	ECO-XX-5001475	EM	DM	UNLESS OTHERWISE NOTED ALL DIMENSIONS IN INCHES X.XX ±.015 X.XXX ±.005 ANGULAR FINISH .007 30° MAX
	B	1-10-06	HM	ECO-XX-5001163	EM	DLT	
REV	A	8-18-05	HM	REL'D ECO-XX-5001027	EM	DLT	BREAK ALL SHARP CORNERS TO .003-.015 RADIUS AND REMOVE ALL BURRS
PROJ. FILE NO.	G-00001	FILENAME:	DE21405G2.dwg,	DATE:	12/17/10,	TIME:	

		TITLE	
		INTERNAL CABLE WIRING MODEL 700 FID/TCD ANALYZER	
DRN	MANCHA	DATE	8-17-05
CHKD	EM	DATE	8-17-05
APPD	DLT	DATE	8-17-05
DWG NO.	DE-21405		REV
SCALE		NTS	P/M
SEE ORDER		SHT 2 OF 2	