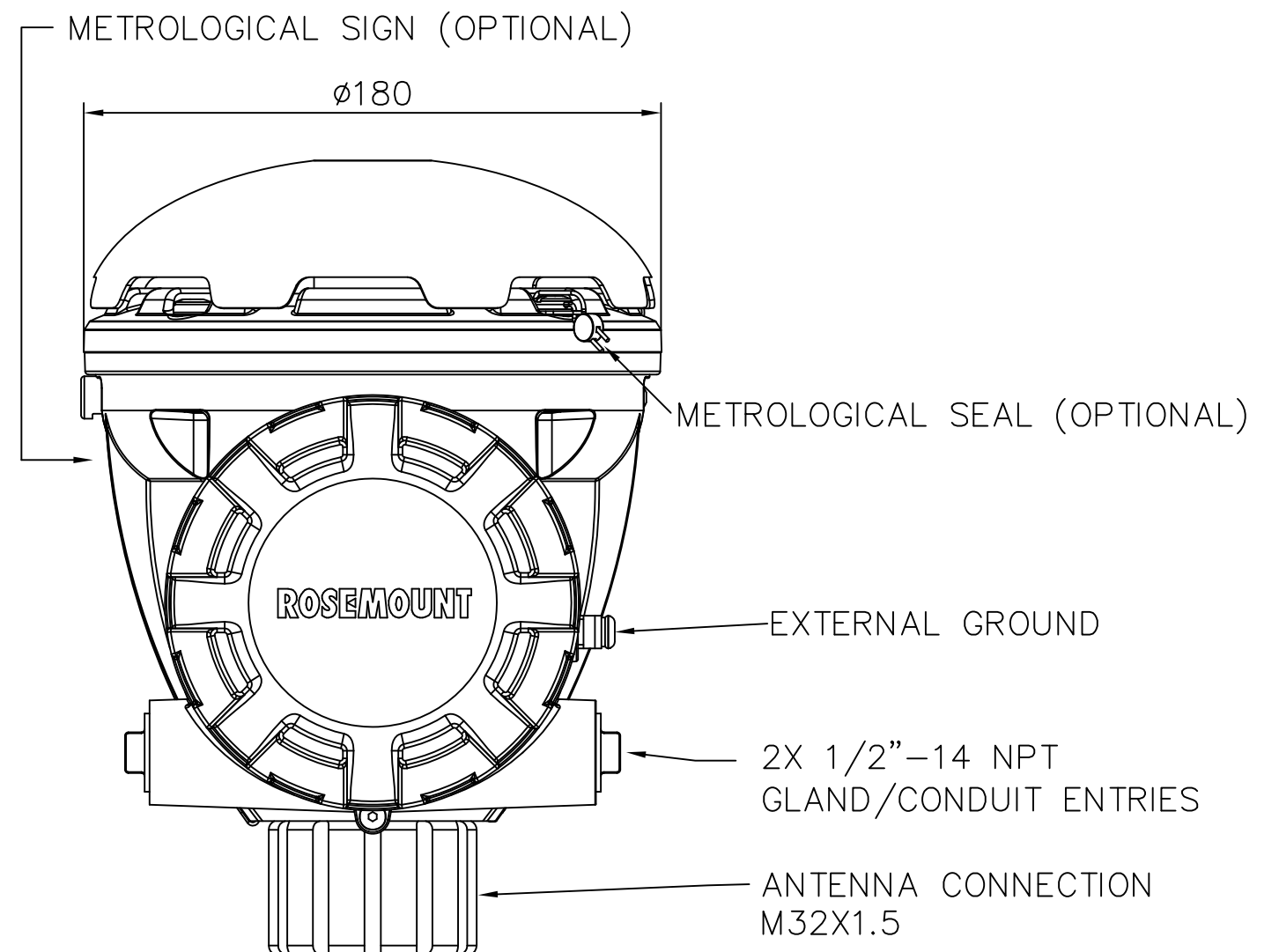
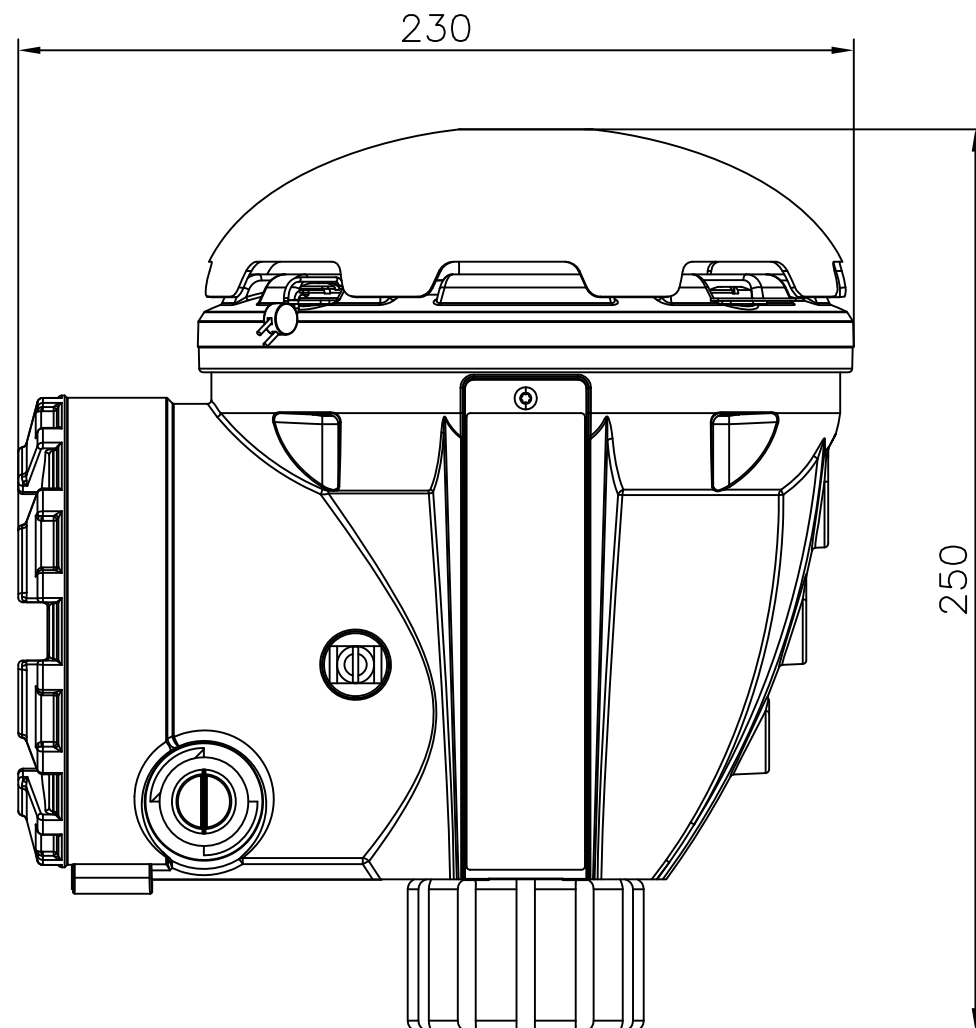


- * PLASTIC PLUGS TO BE REMOVED AT INSTALLATION.
- * UNUSED ENTRIES SHALL BE PLUGGED WITH METAL PLUGS.
- * IT IS RECOMMENDED THAT A SEALANT OF TYPE PTFE IS USED TO PREVENT WATER INGRESS AND TO ENABLE FUTURE REMOVAL OF THE PLUG/GLAND.
- * ENSURE THAT GLANDS MEET REQUIREMENTS FOR IP CLASS 66 AND 67.



ISSUED BY EMe-BL	WEEK 1038	PRODUCT CODE 5900	FILE ACAD	INSTALLATION DRAWING TITLE MECHANICAL INSTALLATION DWG 5900 SERIES RADAR LEVEL GAUGE			
APPROVED BY EMe-MH	WEEK 1040	ORIGINAL DWG NO. -	SCALE -	DOC TYPE 02	DWG NO. D9240041-914	ISSUE 02	SHEET 01/01
ROSEMOUNT Tank Gauging			1 ST ANGLE 	THE COPYRIGHT/OWNERSHIP OF THIS DOCUMENT IS AND WILL REMAIN OURS. THE DOCUMENT MUST NOT BE USED WITHOUT OUR AUTHORIZATION OR BROUGHT TO THE KNOWLEDGE OF A THIRD PARTY. CONTRAVENTION WILL BE PROSECUTED. ROSEMOUNT TANK RADAR AB, SWEDEN.			