

2. CHECK SIL SAFETY MANUAL FOR SIL SPECIFIC INSTALLATION REQUIREMENTS.
1. INSTALLATION IN HIGHER SOCKET IS POSSIBLE, MAY REDUCE THE PERFORMANCE.

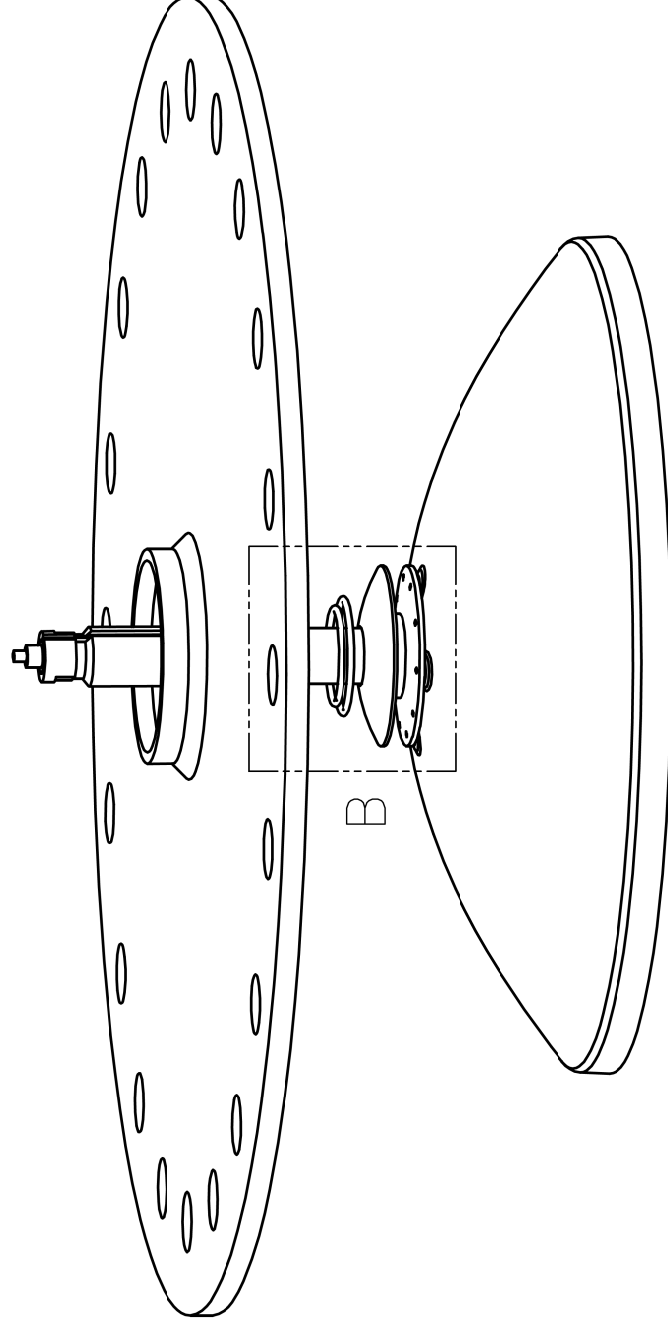
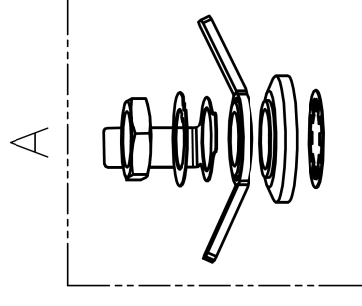
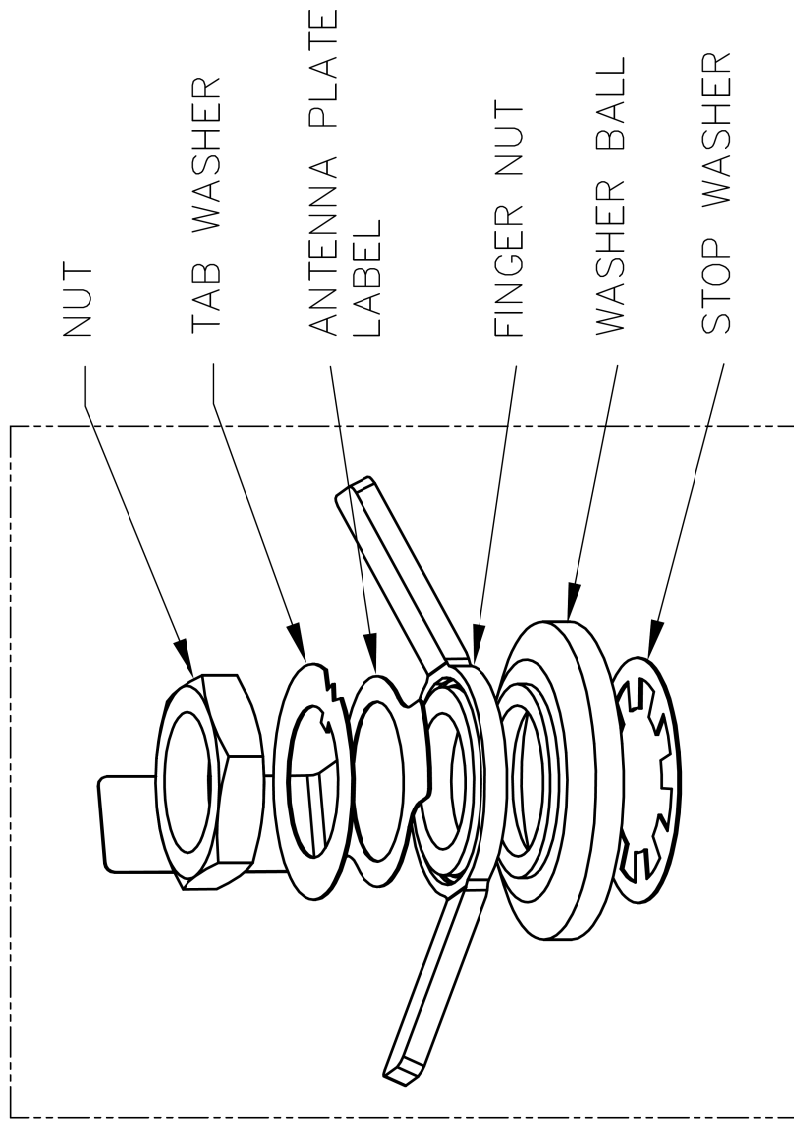
07	GASKET SOFT TYPE	CUSTOMER
06	TANK FLANGE AND WELDING INSTRUCTION SEE PAGE 3	CUSTOMER
05	FLANGE BALL	RTR
04	INCLINATION DEVICE	RTR
01-03	SCREW/NUT/WASHER ACC TO ASME B16.5 OR EN1092-1	CUSTOMER
POS	ITEM DESCRIPTION	SUPPLIER

ISSUED BY EMe-BL	WEEK 1032	PRODUCT CODE 5900	FILE ACAD	INSTALLATION DRAWING TITLE MECHANICAL INSTALLATION DWG PARABOLIC WELDED CONNECTION
APPROVED BY EMe-MH	WEEK 1043	ORIGINAL DWG NO. -	SCALE -	

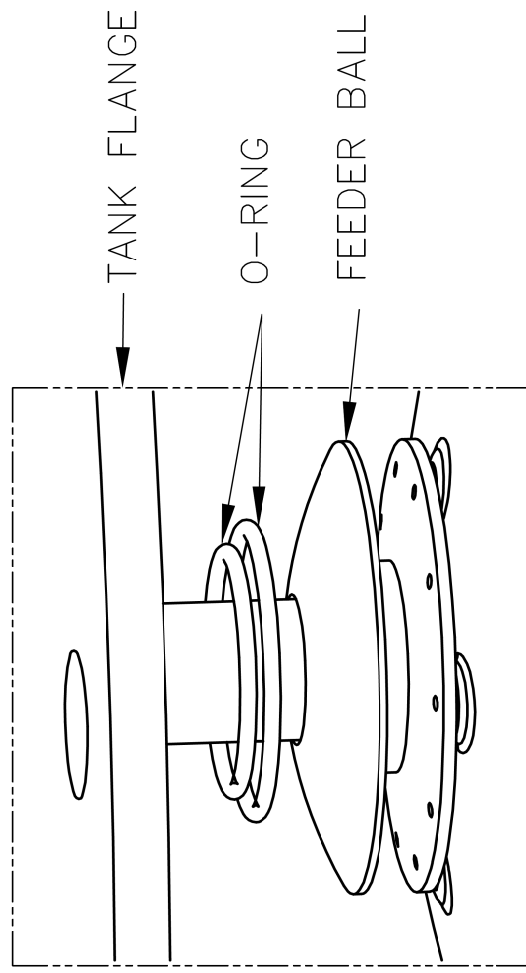
ROSEMOUNT Tank Gauging	1 ST ANGLE	DOC TYPE 2	DWG NO. D9240041-919	ISSUE 03	SHEET 01/03
	THE COPYRIGHT/OWNERSHIP OF THIS DOCUMENT IS AND WILL REMAIN OURS. THE DOCUMENT MUST NOT BE USED WITHOUT OUR AUTHORIZATION OR BROUGHT TO THE KNOWLEDGE OF A THIRD PARTY. CONTRAVENTION WILL BE PROSECUTED. ROSEMOUNT TANK RADAR AB, SWEDEN.				

FOR MORE INFO. SEE
Rosemount TankRadar 5900
REFERENCE MANUAL

DETAIL A

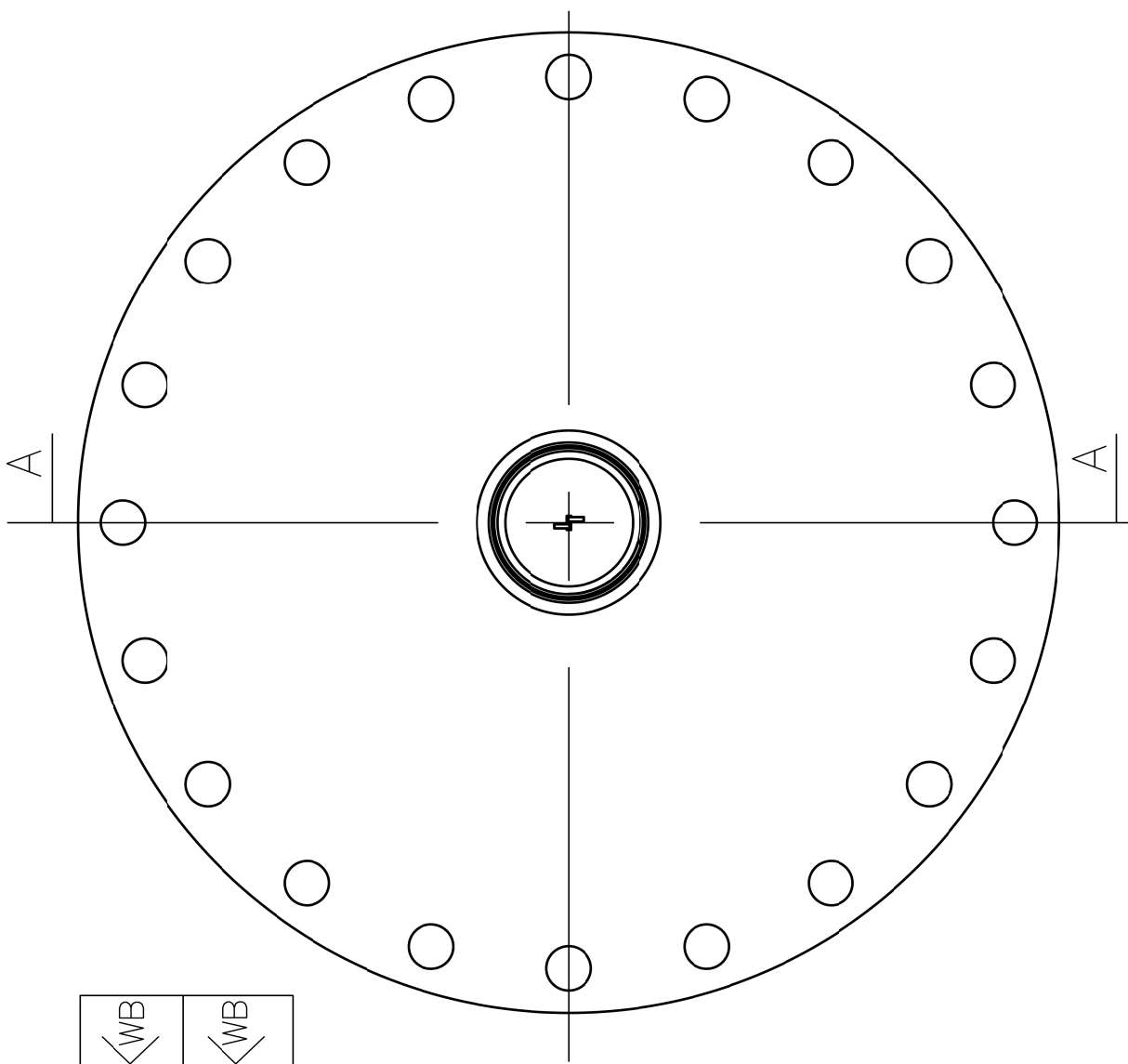
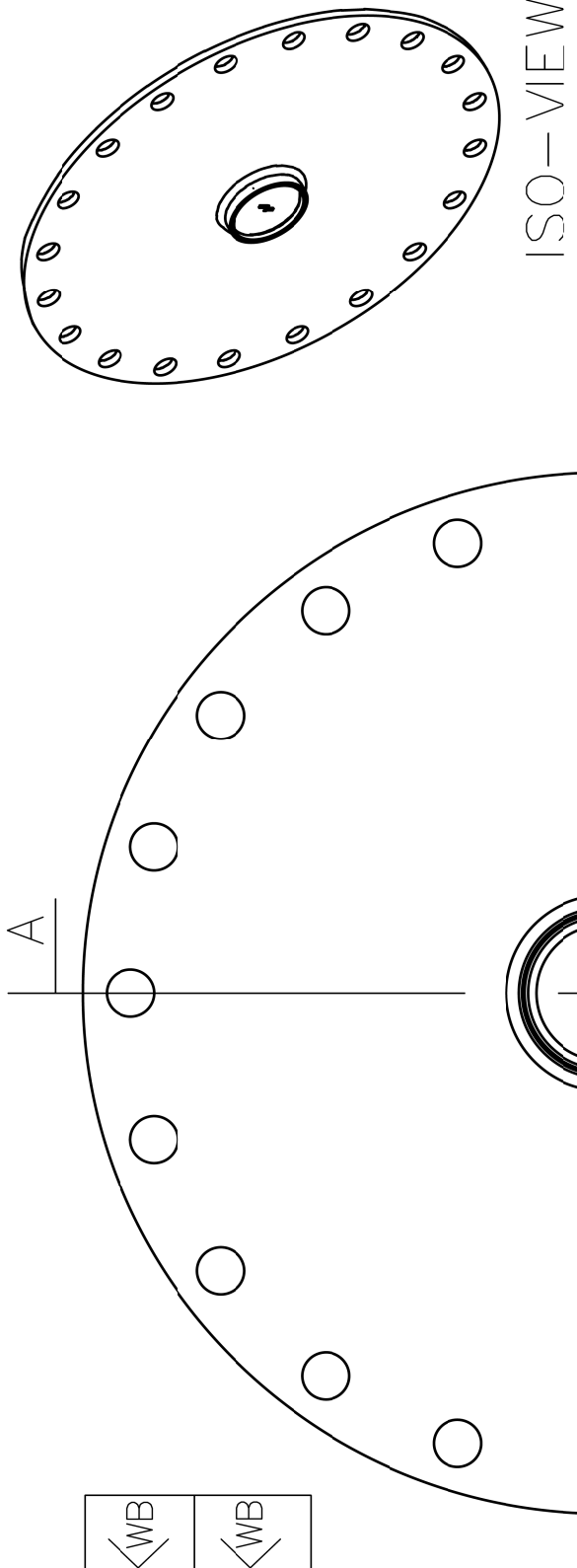


DETAIL B



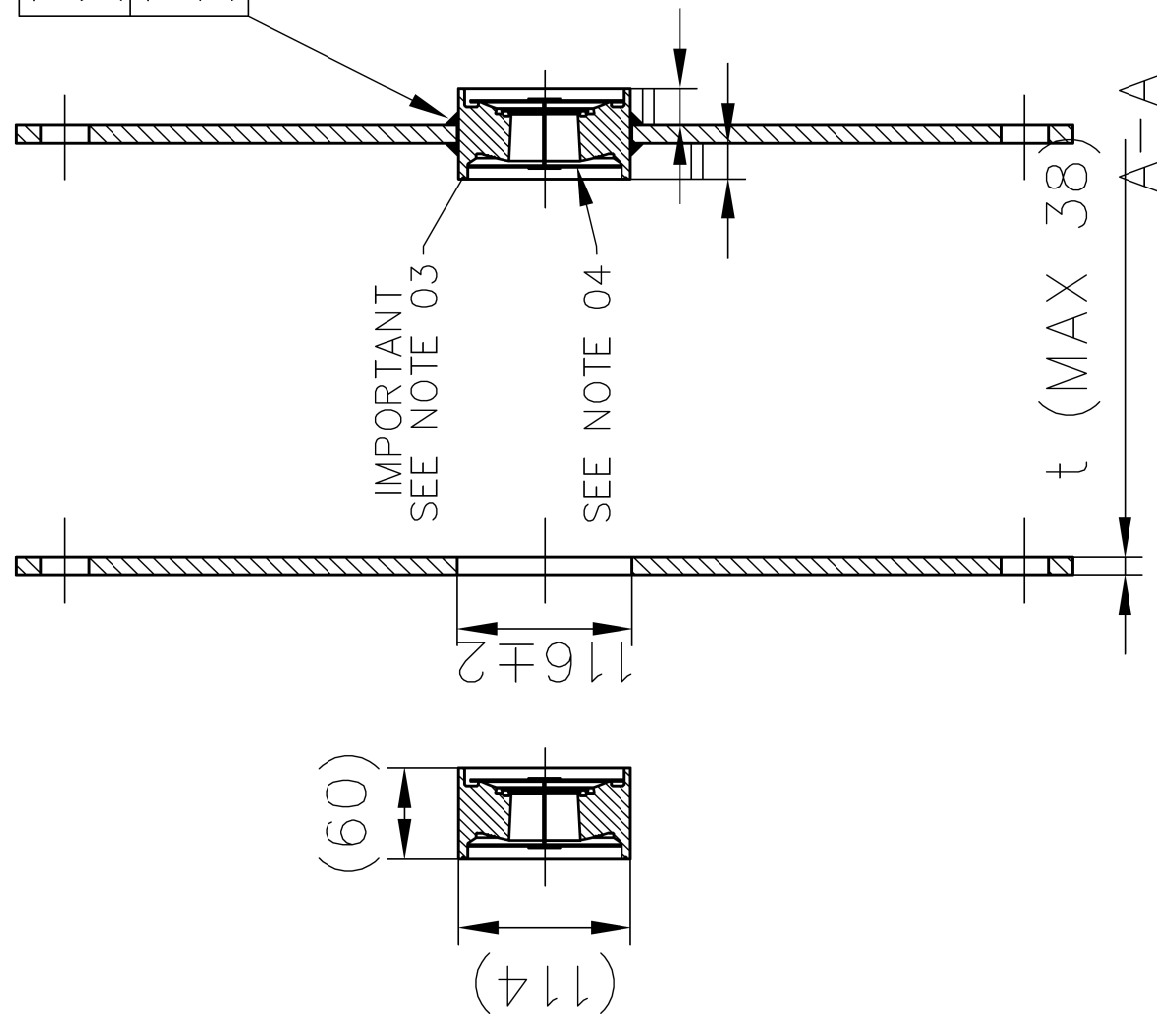
FOR MORE INFO. SEE
Rosemount TankRadar 5900
REFERENCE MANUAL

ISSUED BY Eme-BL	WEEK 1032	PRODUCT CODE 5900	FILE ACAD	INSTALLATION DRAWING TITLE MECHANICAL INSTALLATION DWG PARABOLIC WELDED CONNECTION	ISSUE 03	SHEET 02/03
APPROVED BY Eme-MH	WEEK 1043	ORIGINAL DWG NO. -	SCALE -	DOC TYPE 2	DWG NO. D9240041-919	
				1 ST ANGLE 		
				ROSEMOUNT Tank Gauging		
THE COPYRIGHT/OWNERSHIP OF THIS DOCUMENT IS, AND WILL REMAIN OURS. THE DOCUMENT MUST NOT BE USED WITHOUT OUR AUTHORIZATION OR BROUGHT TO THE KNOWLEDGE OF A THIRD PARTY. CONTRAVENTION WILL BE PROSECUTED. ROSEMOUNT TANK RADAR AB, SWEDEN.						



SEE NOTE 02

t=	5 TO	a4	WB
	20	a4	
t=	21 TO	a6	WB
	38	a6	



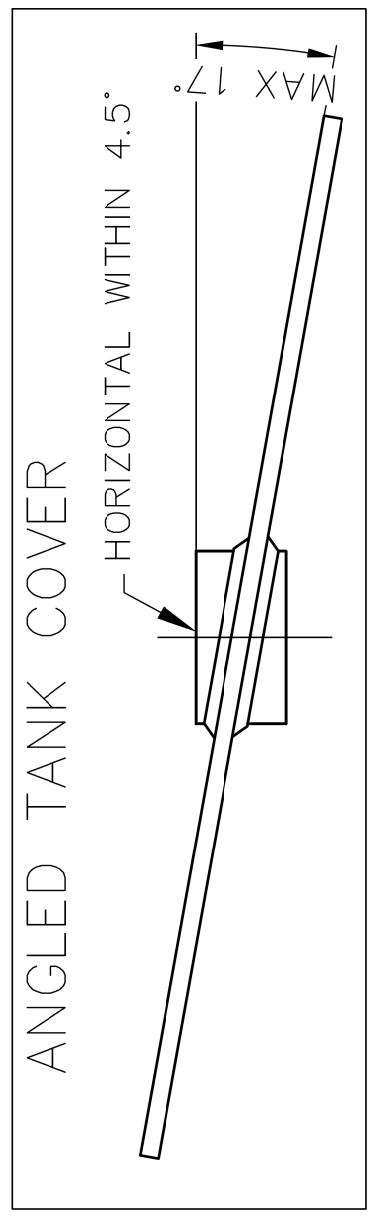
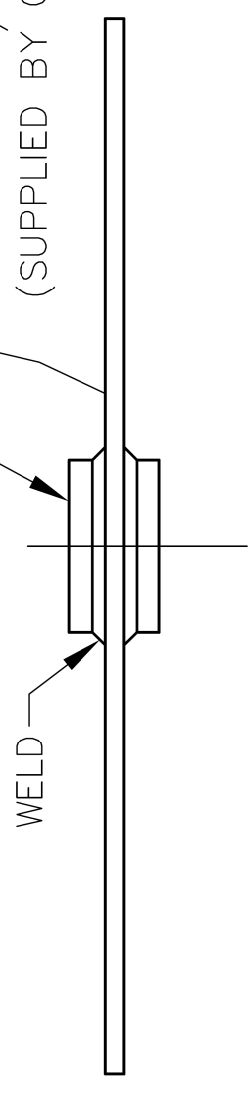
04 WELD PROTECTION TO BE REMOVED AFTER WELD WORK.

03 MARK GROOVE MUST BE DIRECTED OUT FROM THE TANK.

02 FILLER MATERIAL DESIGNED FOR AISI 316L/EN1.4404 WELD DIMENSION IS ONLY RECOMMENDED. FOR PRESSURED APPLICATIONS SEE NATIONAL STANDARDS AND PRACTISE.

FLANGE BALL, AISI 316L
HORIZONTAL WITHIN 4.5°

TANK FLANGE/COVER
(SUPPLIED BY CUSTOMER)



FOR MORE INFO. SEE
Rosemount TankRadar 5900
REFERENCE MANUAL

ISSUED BY Eme-BL	WEEK 1032	PRODUCT CODE 5900	FILE ACAD	INSTALLATION DRAWING TITLE MECHANICAL INSTALLATION DWG PARABOLIC WELDED CONNECTION
APPROVED BY Eme-MH	WEEK 1043	ORIGINAL DWG NO. -	SCALE -	DOC TYPE DWG NO. ISSUE SHEET 2 D9240041-919 03 03/03
1 ST ANGLE				THE COPYRIGHT/OWNERSHIP OF THIS DOCUMENT IS, AND WILL REMAIN OURS. THE DOCUMENT MUST NOT BE USED WITHOUT OUR AUTHORIZATION OR BROUGHT TO THE KNOWLEDGE OF A THIRD PARTY. CONTRAVENTION WILL BE PROSECUTED. ROSEMOUNT TANK RADAR AB, SWEDEN.

ROSEMOUNT
Tank Gauging