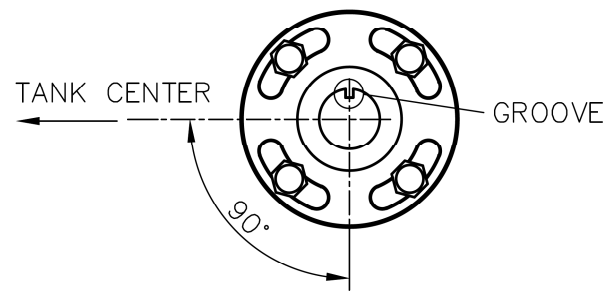
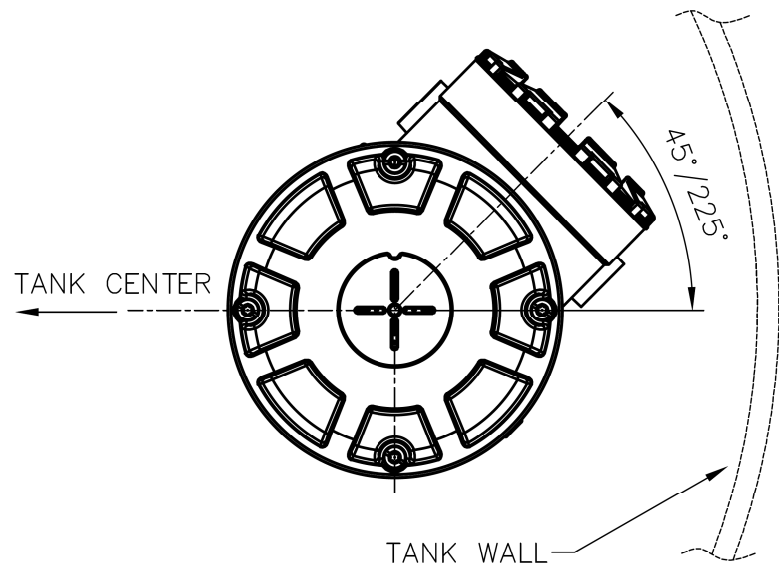


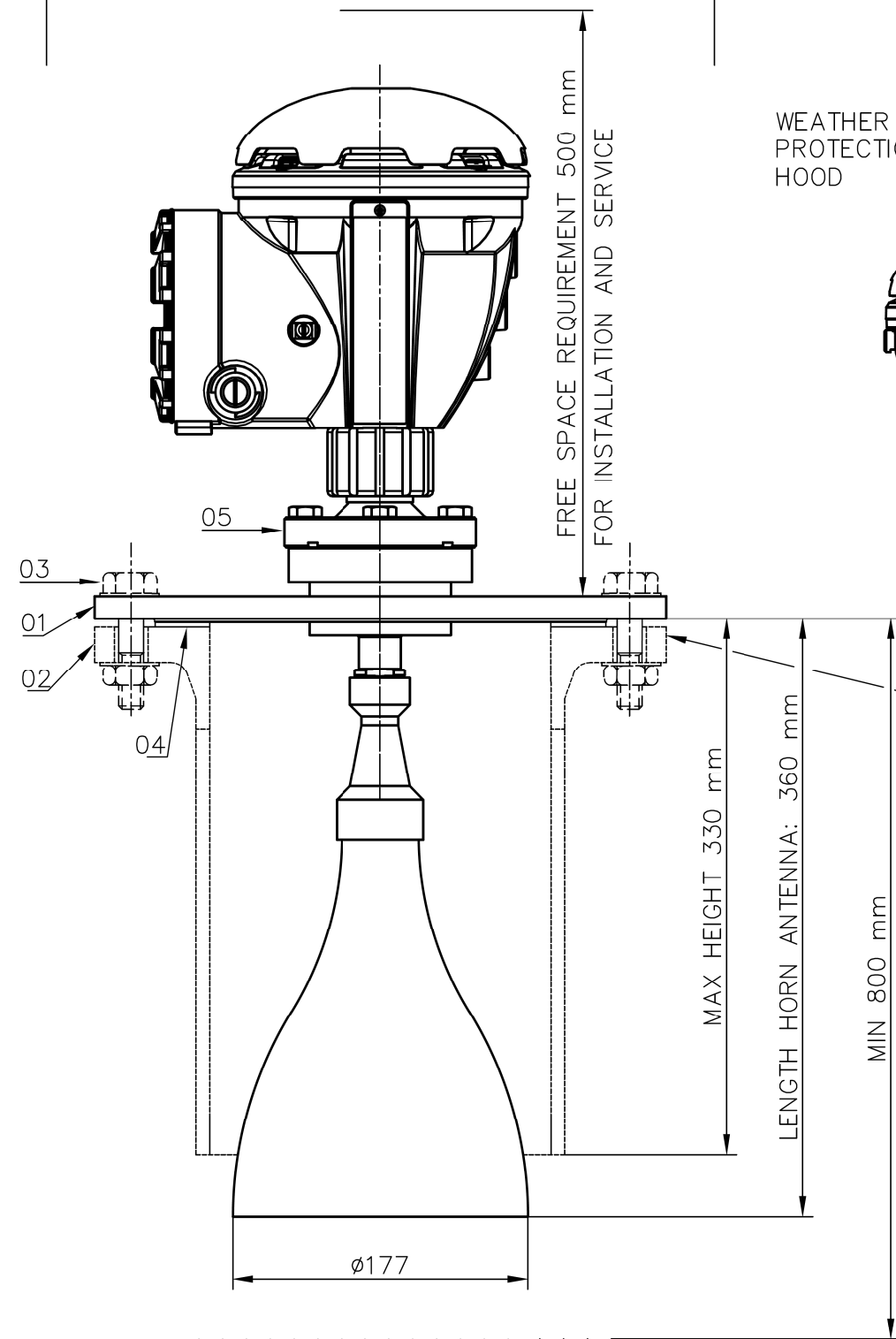
ORIENTATION OF THE ADAPTER



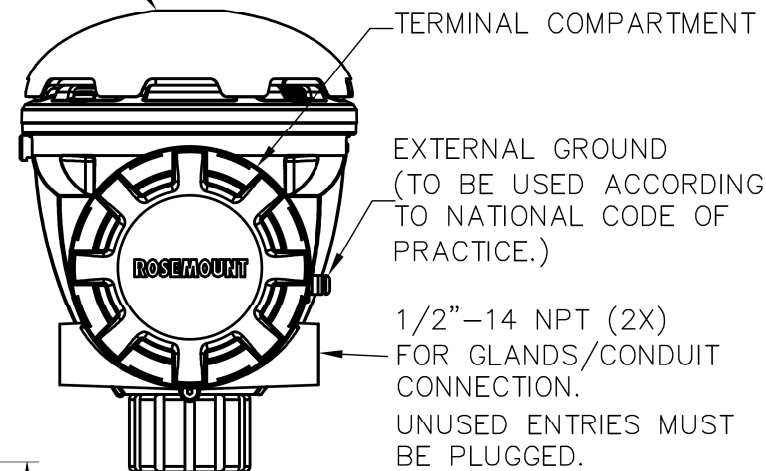
ORIENTATION OF THE GAUGE
(VIEW WITHOUT WEATHER PROTECTION)



FREE SPACE REQUIREMENT $\phi 550\text{mm}$
FOR INSTALLATION AND SERVICE



WEATHER
PROTECTION
HOOD

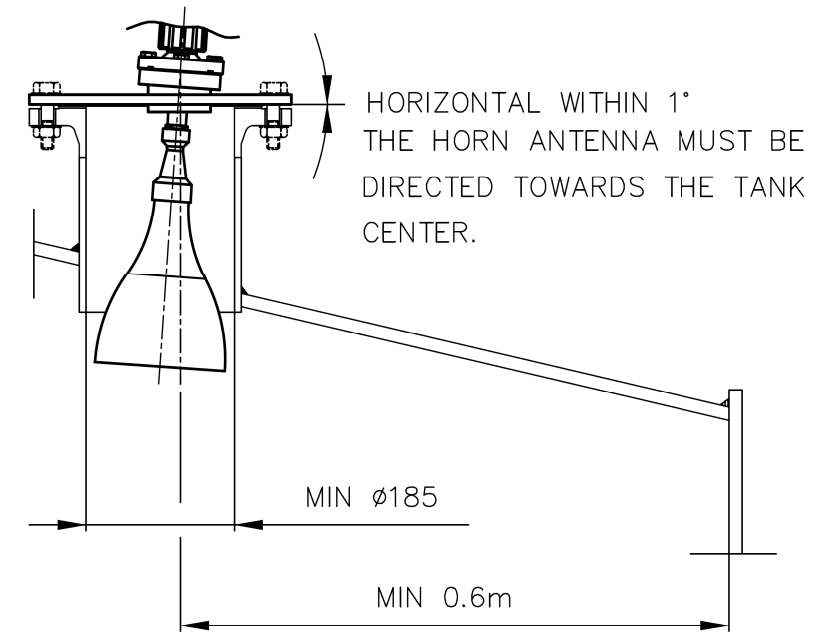


STANDARD FLANGE
8" 150#/DN200 PN10

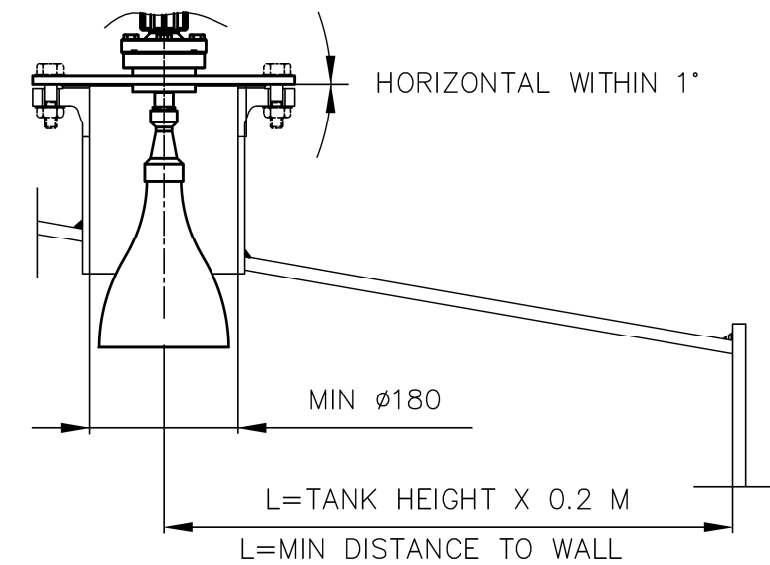
CHECK SIL SAFETY MANUAL FOR
SIL SPECIFIC INSTALLATION
REQUIREMENTS.

FOR MORE INFO. SEE
Rosemount TankRadar 5900
REFERENCE MANUAL

INCLINED FLANGE



HORIZONTAL FLANGE



05	ADAPTER, PART NO. 9240040 085	RTR
04	GASKET, SOFT TYPE	CUSTOMER
03	SCREW/NUT/WASHER ACC TO ASME B16.5 OR EN1092-1	CUSTOMER
02	STANDARD PIPE FLANGE ACC. TO POS 01	CUSTOMER
01	HOLE PATTERN ACC. TO ASME B16.5 OR EN1092-1	RTR/CUSTOMER
POS	ITEM DESCRIPTION	SUPPLIER

ISSUED BY EMe-BL	WEEK 1032	PRODUCT CODE 5900	FILE ACAD	INSTALLATION DRAWING TITLE MECHANICAL INSTALLATION DWG HORN ANTENNA		
APPROVED BY EMe-MH	WEEK 1043	ORIGINAL DWG NO. -	SCALE -	DOC TYPE 2	DWG NO. D9240040-982	ISSUE 04
ROSEMOUNT Tank Gauging			1 ST ANGLE 	SHEET 01/01	THE COPYRIGHT/OWNERSHIP OF THIS DOCUMENT IS AND WILL REMAIN OURS. THE DOCUMENT MUST NOT BE USED WITHOUT OUR AUTHORIZATION OR BROUGHT TO THE KNOWLEDGE OF A THIRD PARTY. CONTRAVENTION WILL BE PROSECUTED. ROSEMOUNT TANK RADAR AB, SWEDEN.	