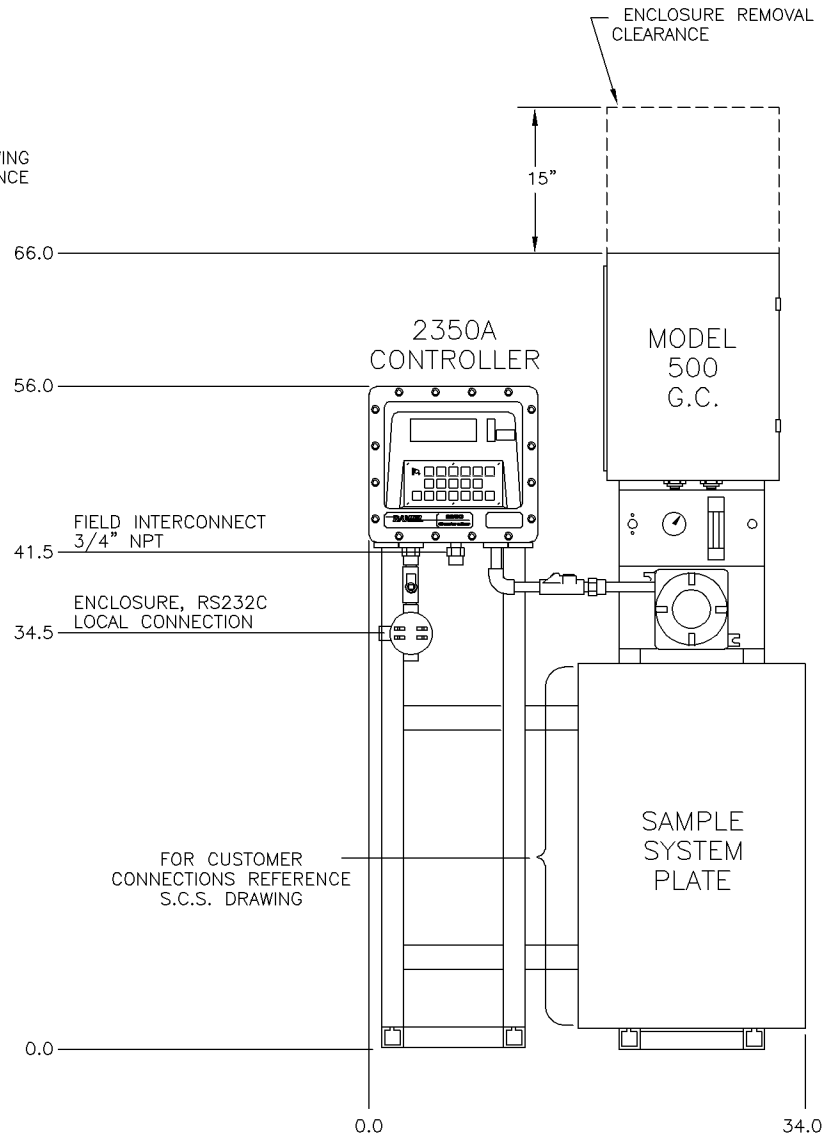


LEFT SIDE VIEW



FRONT VIEW

SI METRIC						
THIRD ANGLE PROJECTION						
MATERIAL	C	5-3-05	HM	ECO-XX-5000713	EM	DLT
N/A	B	9-9-03	HM	ECO-XX-185506	EM	SB
FINISH	A	5-12-03	HM	RELEASED	EM	SB
N/A	REV	DATE	DRN	DESCRIPTION	CHKD	APPD
PROJ. FILE NO. - NONE	FILENAME: CE23878C1.DWG, DATE: 04-28-05, TIME: 11:04 A.M.					

THIS DRAWING IN DESIGN AND DETAIL IS OUR PROPERTY AND MUST NOT BE USED EXCEPT IN CONNECTION WITH OUR WORK. IT SHALL NOT BE REPRODUCED AND SHALL BE RETURNED TO US ON DEMAND. ALL RIGHTS ARE RESERVED.

GEOMETRIC TOLERANCES & DIMENSIONS PER ANSI Y14.5 LATEST REVISION

UNLESS OTHERWISE NOTED ALL DIMENSIONS IN INCHES  
 .XXX ±.015  
 X.XXX ±.005  
 ANGULAR ±0° 30'  
 FINISH 200 RA MAX

BREAK ALL SHARP CORNERS TO .003-.015 RADIUS AND REMOVE ALL BURRS

**EMERSON**  
Process Management

TITLE  
OUTLINE AND DIMENSIONAL 500 GC W/EXPLOSION-PROOF 2350A AND S.C.S. PLATE

DRN MANCHA	DATE 5/9/03	DWG NO.	REV
CHKD EM	DATE 5/9/03	CE-23878	C
APPD SB	DATE 5/12/03	SCALE NTS	P/N SEE ORDER
		SHT 1	OF 1