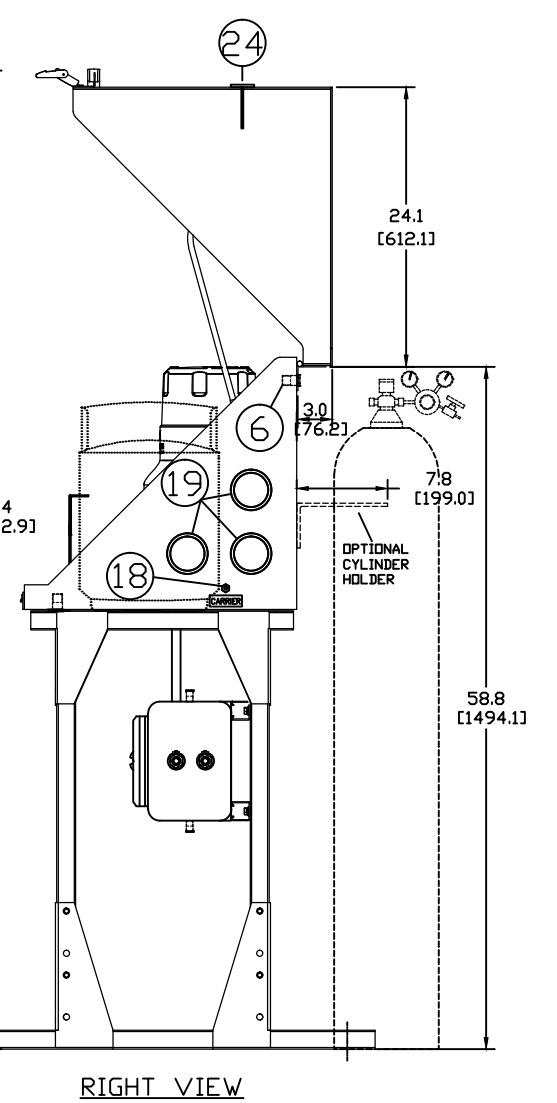
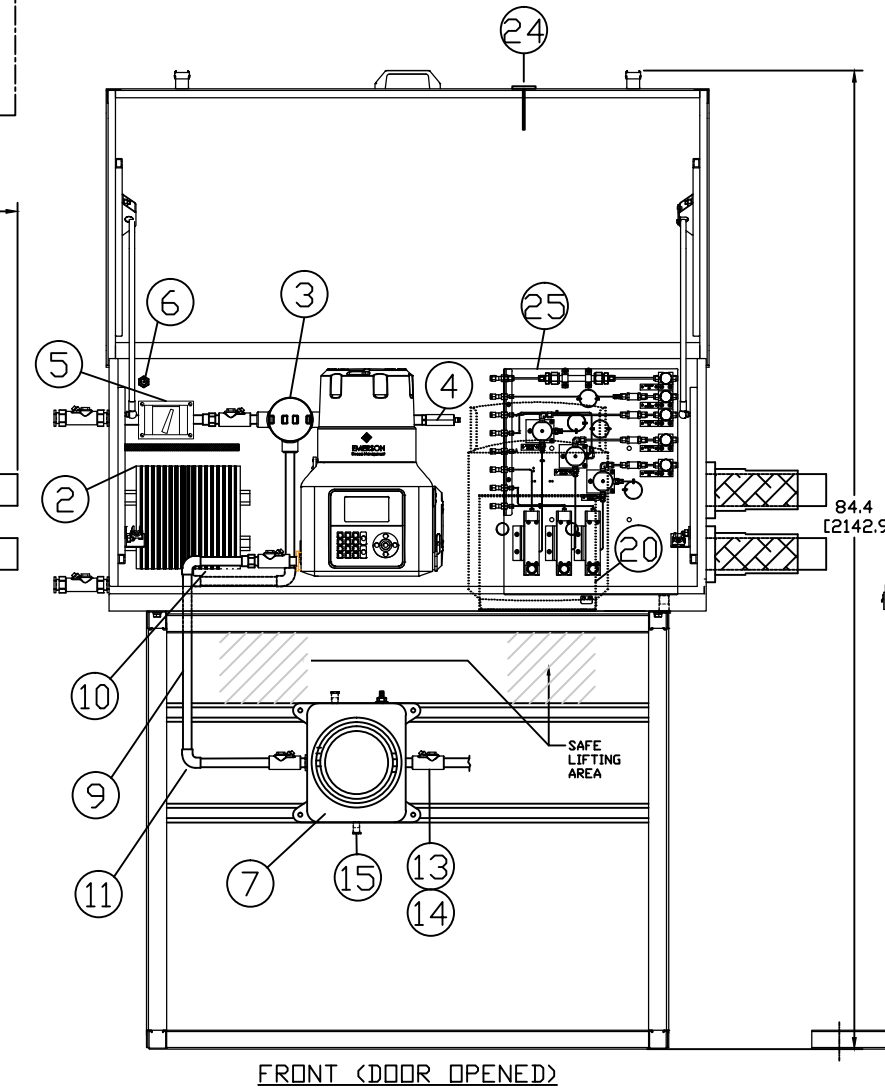
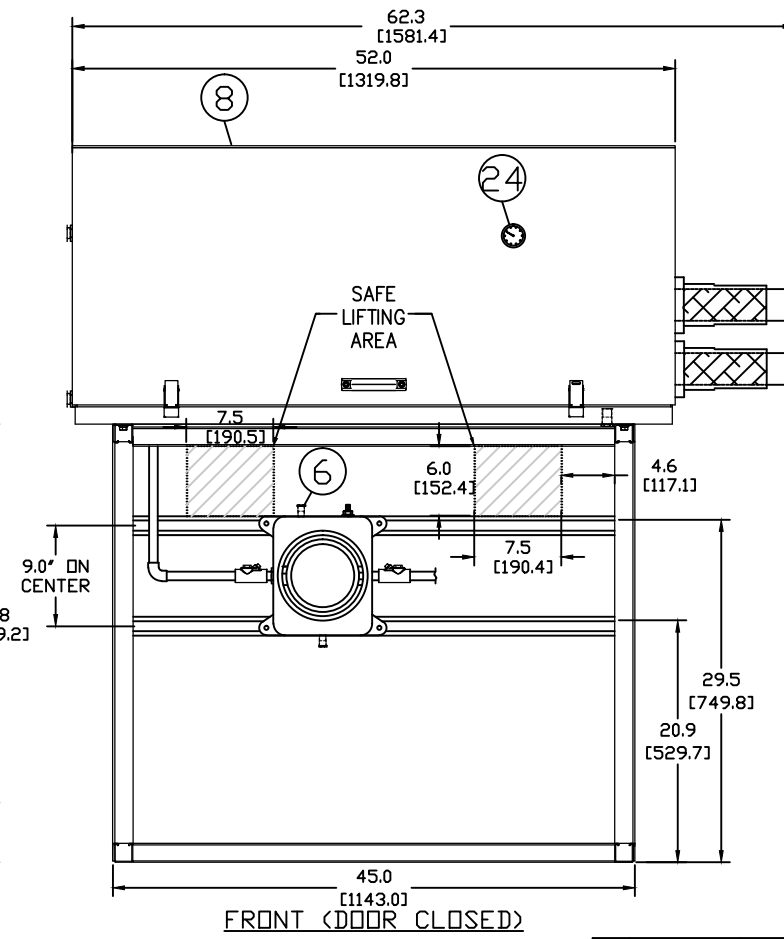
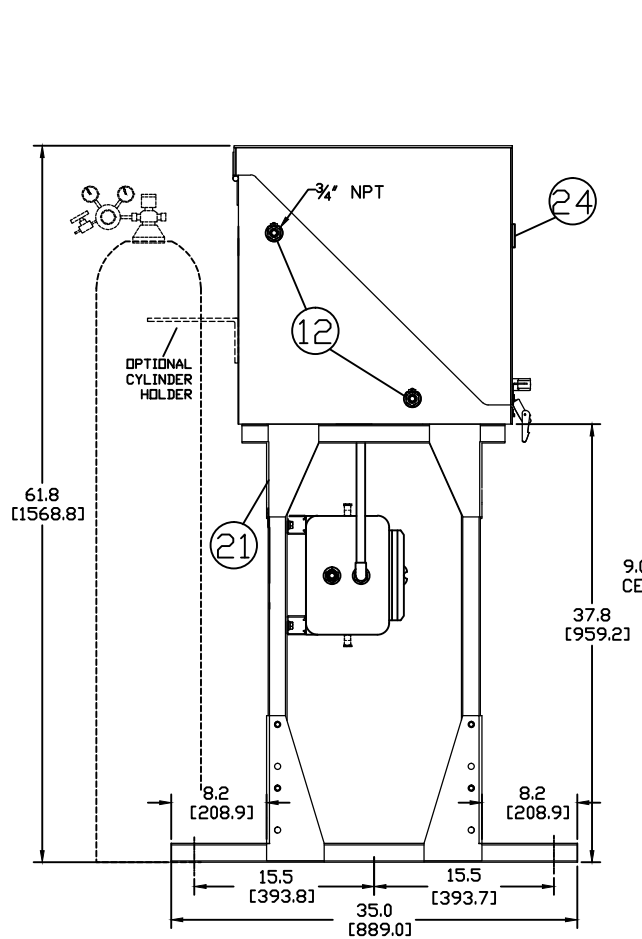


MAJOR ITEMS LISTING

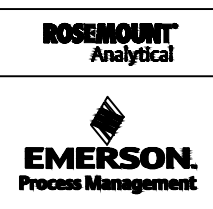
LBL	QTY.	REF.	RAI PART NO.	DESCRIPTION
1	1	A1	370XA	GAS CHROMATOGRAPH
2	1	H1	9-0020-960	300 W, 120 VAC HEATER (CERT)
3	1	-	-	JUNCTION BOX (CERT)
4	1	TS1	9-0020-961	THERMSTAT (CERT)
5	1	SW1	5-2971-012	POWER SWITCH FOR HEATER (CERT)
6	2	-	-	BREATHER (CERT)
7	1	JB2	9-0020-944	SIGNAL/POWER JUNCTION BOX (CERT)
8	1	E1	9-0020-997	370XA ENCLOSURE
9	10	CDN1	4-9500-236	3/4" NPT CONDUIT, 10 FT
10	5	CDN2	4-4000-146	3/4" NPT MALE/FEMALE UNION (CERT)
11	8	CDN3	4-9500-024	3/4" NPT ELBOW (CERT)
12	4	CDN4A	9-0020-958	3/4" NPT MYERS HUB BULKHEADS (CERT)
13	5	CDN4B	4-4500-130	3/4" NPT CONDUIT NIPPLE
14	4	CDN5	4-9500-203	3/4" SEAL FNPT (CERT)
15	1	-	4-9311-201	DRAIN (CERT)
16	4	TB1	4-5000-058	1/4" TO 1/8" REDUCER FITTING
17	2	TB2	4-5000-059	1/4" TEE FITTING
18	2	BH1	9-0020-959	1/4" SS BULKHEAD
19	3	BT1	9-0040-779	HEAT SHRINK BOOT, 2.10"
20	1	TG1	9-0021-106	GAS CYLINDER FLOOR-MOUNT BRACKET
21	1	FR1	9-0020-949	370XA ENCLOSURE STAND
22	2	TB3	4-5000-064	1/8" UNION FITTING
23	2	TB4	9-0020-959	1/4" UNION BULKHEAD FITTING
24	1	-	4-9500-036	TEMPERATURE GAUGE
25	1	-	7A00045G01-G11	SAMPLE STREAM ASSEMBLY



REV	DATE	DRN	DESCRIPTION	CHKD	APPD
3	2016-1-07	NM	Issued for Review	SSB	JDM
2	2015-12-03	SSB	Issued for Review	JDM	JDM
1	2015-11-18	SSB	Issued for Review	JDM	JDM

UNLESS OTHERWISE SPECIFIED	
SURFACE FINISHES	125
TOLERANCE DECIMALS	2 PLACE = ± .020
FRACTIONS	= ± .015
3 PLACE	= ± .005
ANGLES	= ± .5°
CONCENTRICITY	.005 TIR
INSIDE CORNERS	.031 R MAX
REMOVE BURRS & BREAK EDGES	.005 MIN to .020 MAX
DESIGN DIMS ARE IN INCHES	[ ] DENOTES MILLIMETER EQUIVALENTS

**PROPRIETARY INFORMATION**  
 THIS DOCUMENT CONTAINS INFORMATION PROPRIETARY TO ROSEMOUNT ANALYTICAL INC. AND IS TO BE USED SOLELY FOR THE PURPOSE FOR WHICH IT IS FURNISHED. THIS DOCUMENT SHALL NOT BE USED FOR ENGINEERING, DESIGN, PROCUREMENT, OR MANUFACTURING IN WHOLE OR IN PART WITHOUT THE WRITTEN CONSENT OF ROSEMOUNT ANALYTICAL INC.



TITLE		
Arrangement Drawing 370XA Multi-Stream Enclosure Rosemount Analytical		
MANAGER JDM	DOCUMENTED ON ACAD	SCALE 1:8
SIZE D	DWG NO. DE-22739	SHEET 1 of 1