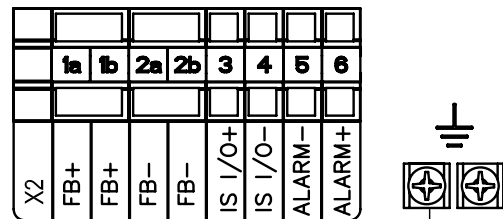


2410 TANK HUB

PRIMARY 4-20 mA ACTIVE I.S. OUTPUT
ENTITY PARAMETERS:
ACTIVE CURRENT LOOP
U_o=23.1 V; I_o=95.3 mA; P_o=550 mW
Group A, B, IIC: C_o≤0.14 μF; L_o≤3.9 mH
Group C, IIB: C_o≤1.0 μF; L_o≤15 mH
Group D, IIA: C_o≤3.67 μF; L_o≤33 mH

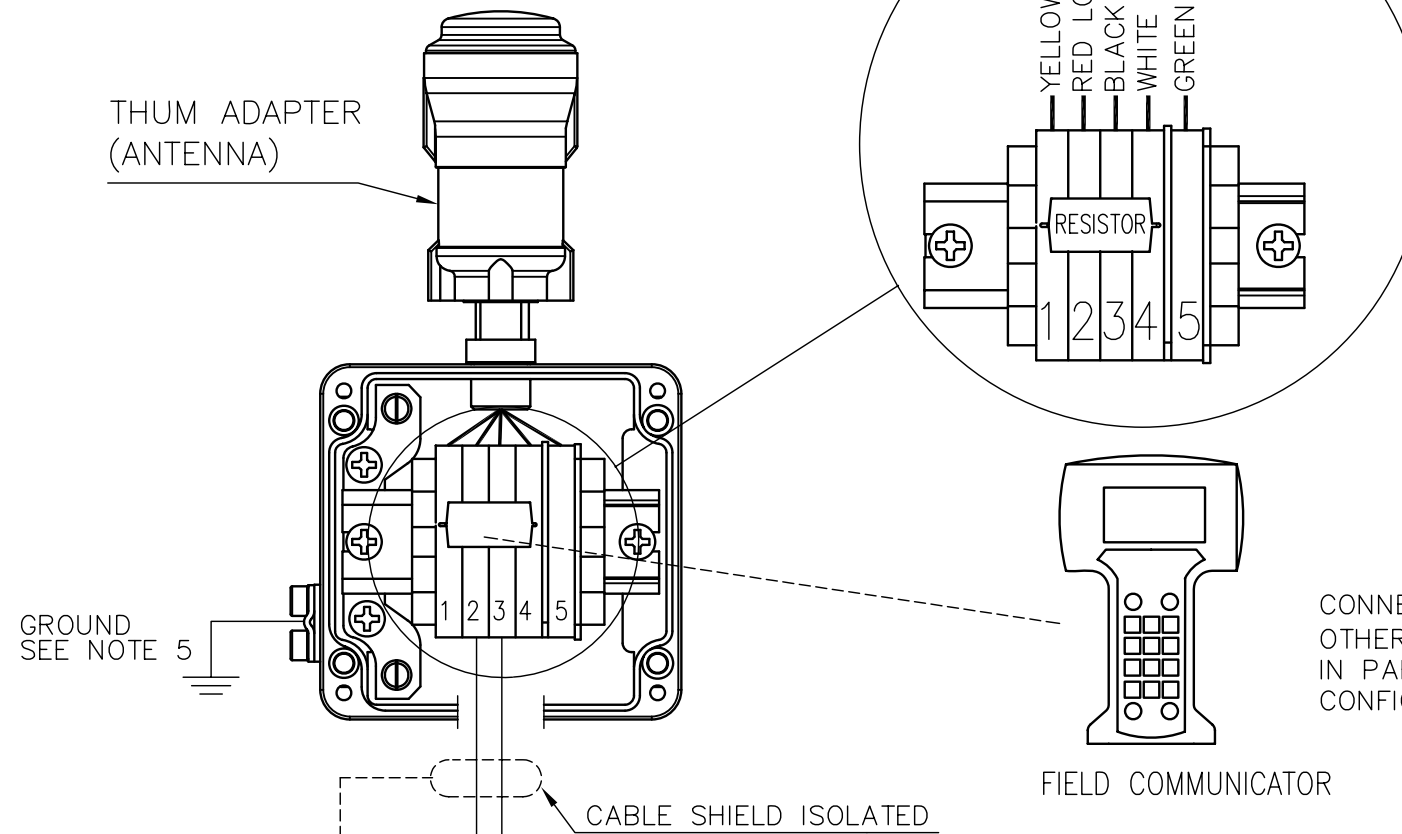


FOR BEST EMC PERFORMANCE
KEEP SHIELD CONNECTION
AS SHORT AS POSSIBLE.

SEE NOTE 4

SEE NOTE 1

WIRELESS 775 ASSY



SEE NOTE 2
AND 3

CONNECT THE FIELD COMMUNICATOR OR
OTHER I.S APPROVED COMMUNICATOR/MODEM
IN PARALLEL WITH RESISTOR FOR LOCAL
CONFIGURATION.

FIELD COMMUNICATOR

6 FOR MORE INFORMATION SEE:

- ROSEMOUNT 2410 SYSTEM CONTROL DWG 9240040-901
- INSTALLATION DRAWING THUM CSA 00775-0012
- INSTALLATION DRAWING THUM FM 00775-0010

5 USE MIN 4 mm² OR AWG 11 FOR EXTERNAL GROUND CONNECTION.

4 CONNECT SHIELD TO GROUND AT ONE END ONLY, OTHERWISE A GROUND LOOP
MAY OCCUR.

3 THUM ADAPTER ENTITY PARAMETERS:

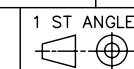
P _I	U _I	I _I	C _I	L _I
1,0W	30V	200mA	0uF	0mH

2 FACTORY MOUNTED RESISTOR 220 OHM 4W, MUST NOT BE EXCHANGED !

1 MAXIMUM CABLE LENGTH IS LIMITED BY CABLE CHARACTERISTICS, SEE ENTITY
PARAMETERS.TYPICAL >200m FOR A STANDARD 0,75 mm² OR AWG 18 TWISTED
PAIR SHIELDED CABLE.

ISSUED BY	WEEK	PRODUCT CODE	FILE	INSTALLATION DRAWING TITLE			
EMe-BL	1139	2410	ACAD	ELECTRIC INSTALLATION DRAWING 2410 TANK HUB TO WIRELESS 775 ASSY			
APPROVED BY	WEEK	ORIGINAL DWG NO.	SCALE	DOC TYPE	DWG NO.	ISSUE	SHEET
EE-MK	1140	-	-	02	9150070-991	01	01/01

ROSEMOUNT
Tank Gauging



THE COPYRIGHT/OWNERSHIP OF THIS DOCUMENT IS AND WILL REMAIN OURS. THE DOCUMENT MUST NOT BE USED
WITHOUT OUR AUTHORIZATION OR BROUGHT TO THE KNOWLEDGE OF A THIRD PARTY. CONTRAVENTION WILL BE
PROSECUTED. ROSEMOUNT TANK RADAR AB, SWEDEN.