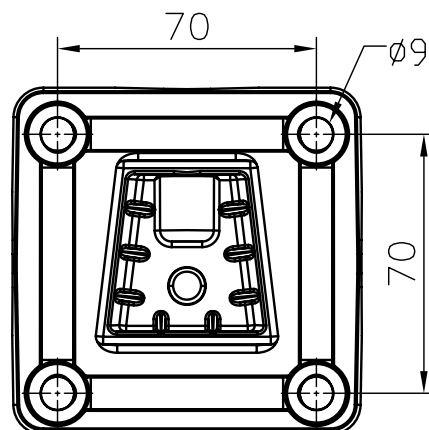


METROLOGICAL SIGN
(OPTIONAL)

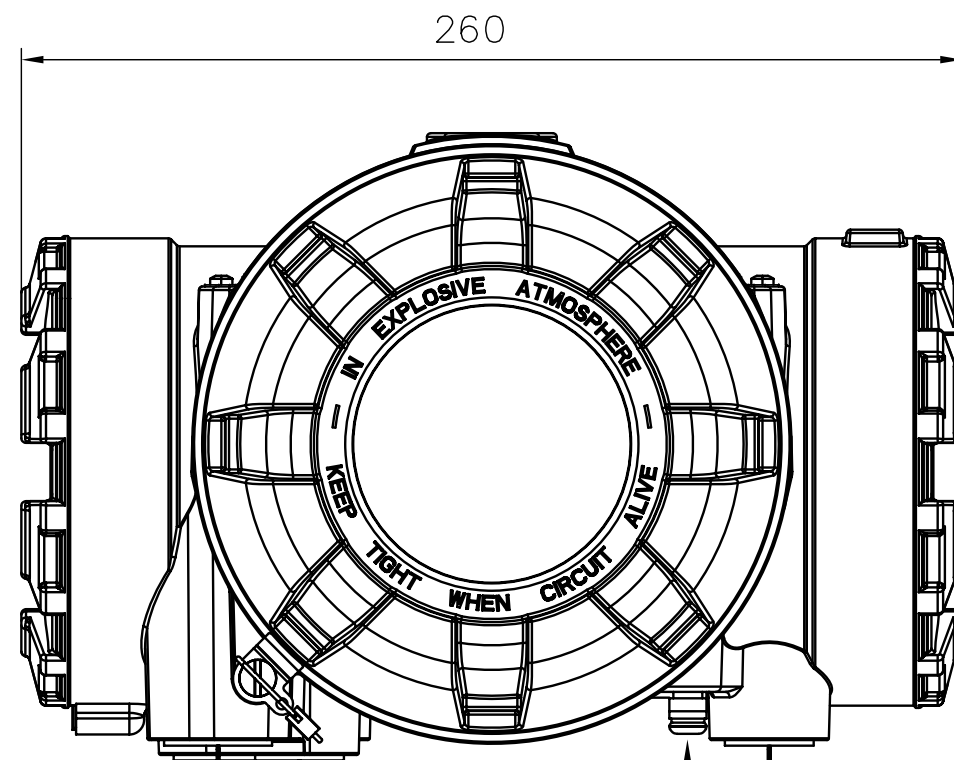
TAG (OPTIONAL)

METROLOGICAL SEAL
(OPTIONAL)

OPTIONAL
HOLE PATTERN WHEN
INSTALLING ON A WALL.



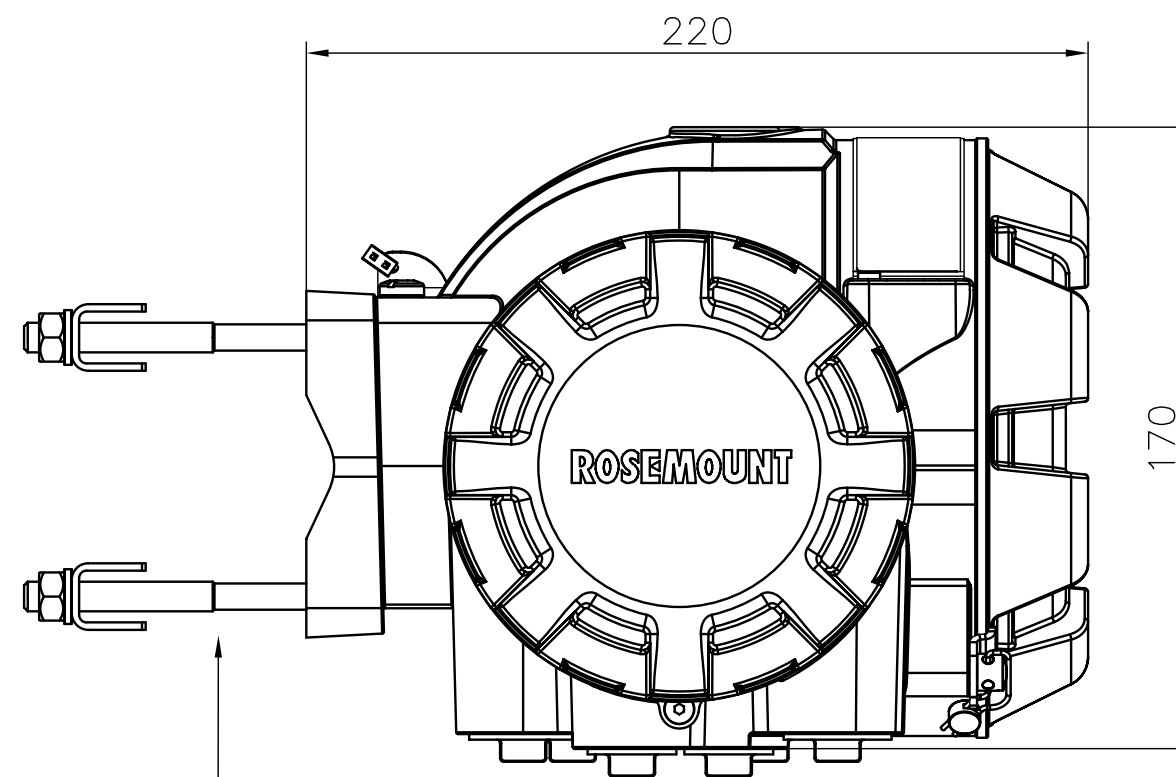
- * PLASTIC PLUGS TO BE REMOVED AT INSTALLATION.
- * UNUSED ENTRIES SHALL BE PLUGGED WITH METAL PLUGS.
- * IT IS RECOMMENDED THAT A SEALANT OF TYPE PTFE IS USED TO PREVENT WATER INGRESS AND TO ENABLE FUTURE REMOVAL OF THE PLUG/GLAND.
- * ENSURE THAT GLANDS MEET REQUIREMENTS FOR IP CLASS 66 AND 67.



GLANDS/CONDUITS ENTRIES
FOR NON IS CONNECTION
2X 1/2" -14 NPT AND
2X 3/4 -14 NPT

EXTERNAL GROUND

GLAND/CONDUIT ENTRIES
FOR IS CONNECTION
2X 1/2" -14 NPT



OPTIONAL
MOUNTING KIT FOR INSTALLATION ON
33.4-60.3 mm (1-2 in.) PIPE DIAMETER

PLASTIC PLUGS TO BE REMOVED AT
INSTALLATION.
UNUSED ENTRIES SHALL BE PLUGGED
WITH METAL PLUGS.

ISSUED BY EMe-BL	WEEK 1038	PRODUCT CODE 2410	FILE ACAD	INSTALLATION DRAWING TITLE MECHANICAL INSTALLATION DWG 2410 TANK HUB		
APPROVED BY EMe-MH	WEEK 1040	ORIGINAL DWG NO.	SCALE -	DOC TYPE 02	DWG NO. 9240041-911	ISSUE SHEET 01 01/01
ROSEMOUNT Tank Gauging			1 ST ANGLE 	THE COPYRIGHT/OWNERSHIP OF THIS DOCUMENT IS AND WILL REMAIN OURS. THE DOCUMENT MUST NOT BE USED WITHOUT OUR AUTHORIZATION OR BROUGHT TO THE KNOWLEDGE OF A THIRD PARTY. CONTRAVENTION WILL BE PROSECUTED. ROSEMOUNT TANK RADAR AB, SWEDEN.		