

FREE SPACE REQUIREMENT $\phi 550\text{mm}$
FOR INSTALLATION AND SERVICE

FREE SPACE REQUIREMENT 500mm
FOR INSTALLATION AND SERVICE

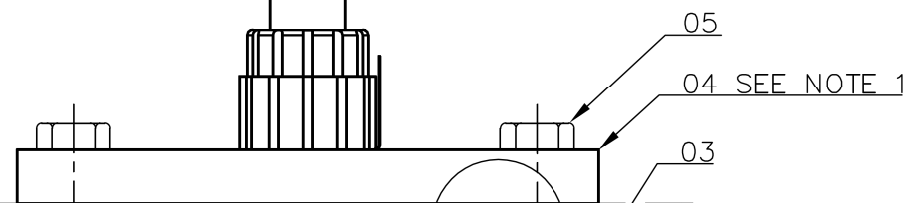
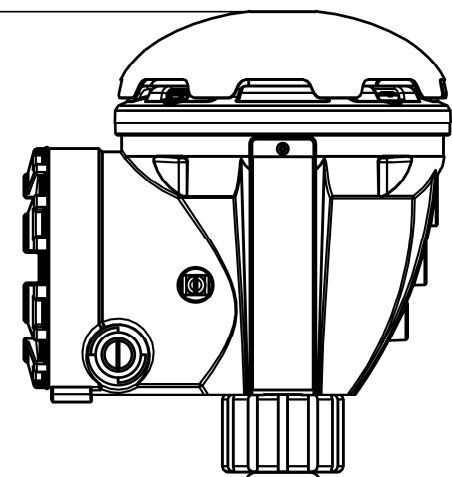
(400mm)

CONE LENGTH 70 mm

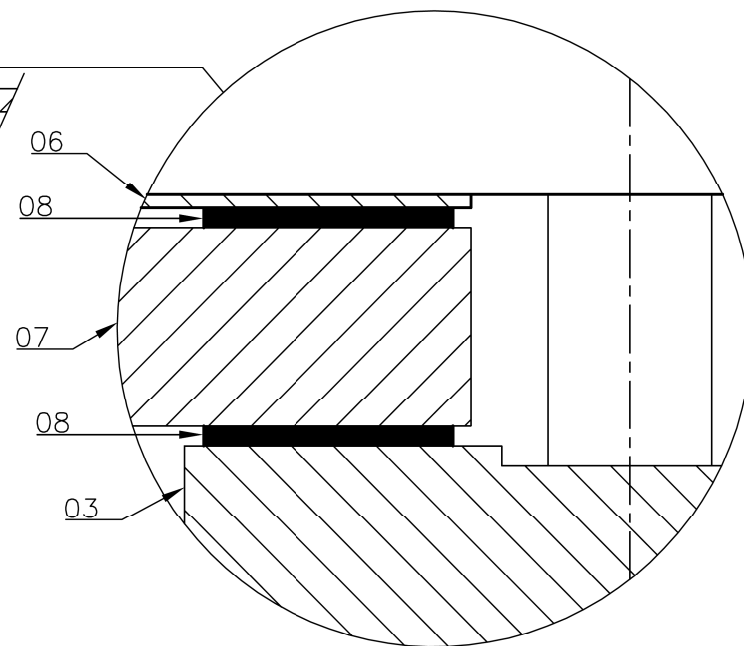
CENTER LINE
STILL PIPE

VERTICAL LINE

01
SEE NOTE 2

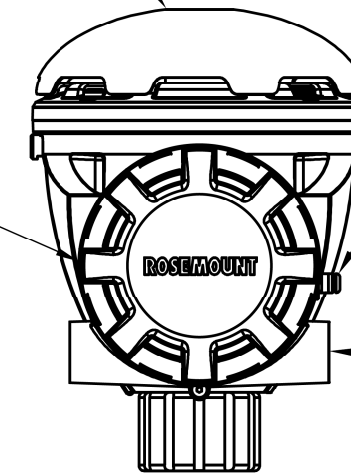


MINIMUM DISTANCE 150 MM REQUIRED
BETWEEN ANTENNA FLANGE AND
ESTIMATED MAXIMUM LEVEL IN THE
TANK, TO ENSURE ACCURATE
READINGS.



WEATHER
PROTECTION
HOOD

TERMINAL COMPARTMENT



EXTERNAL GROUND
(TO BE USED ACCORDING
TO NATIONAL CODE OF
PRACTICE.)

1/2"-14 NPT (2X)
FOR GLANDS/CONDUIT
CONNECTION

FACTORY MOUNTED
PLASTIC DUST
PROTECTION SHALL BE
REMOVED AND UNUSED
ENTRIES PLUGGED.

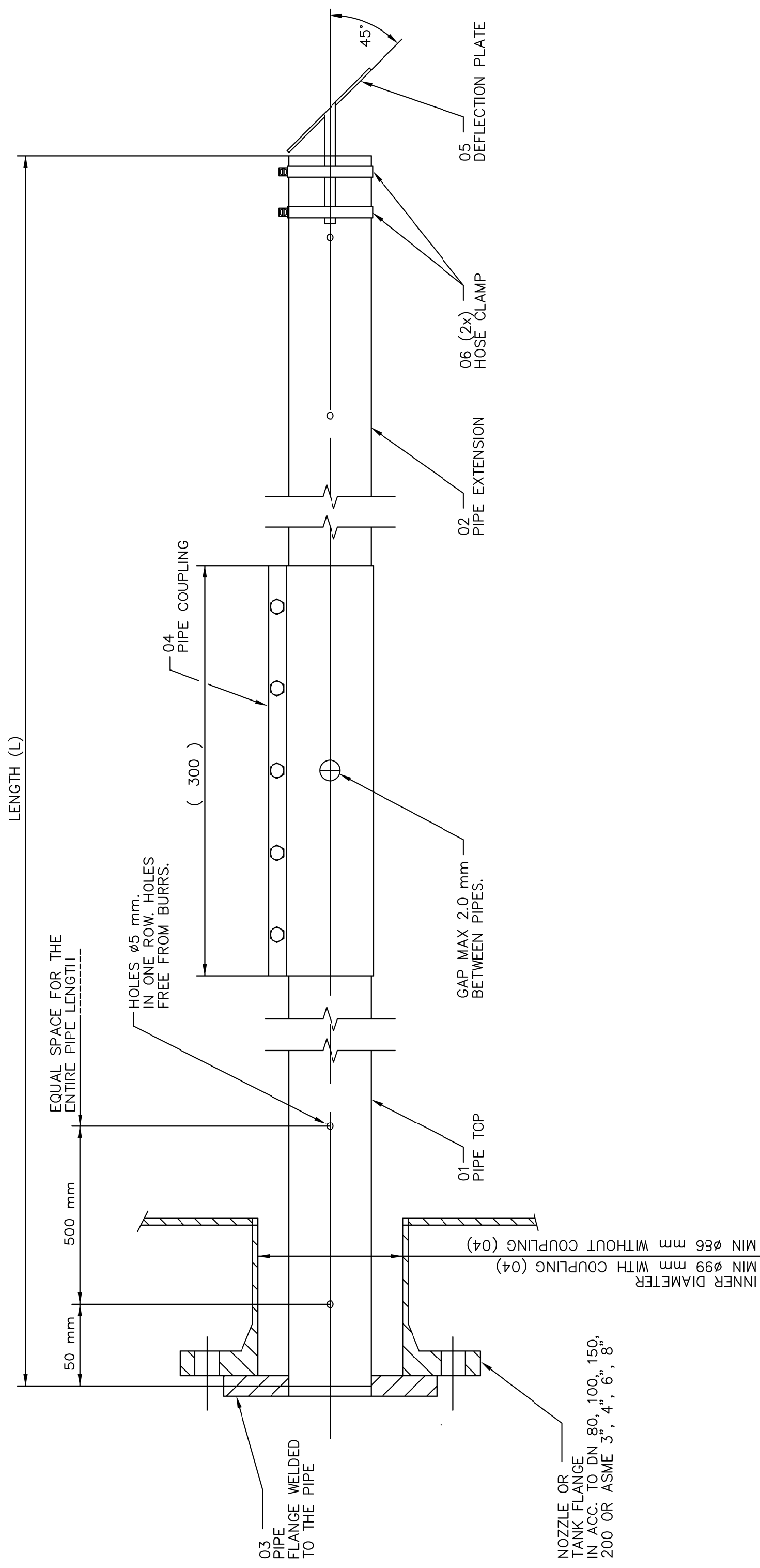
TABLE 1.

FLANGE SIZE DN / ASME	ANTENNA PLATE (06) PIPE FLANGE (07) OD ϕ (mm)
80 / 3"	$\phi 130$
100 / 4"	$\phi 154$
150 / 6"	$\phi 215$
200 / 8"	$\phi 265$

- 3 CHECK SIL SAFETY MANUAL FOR SIL SPECIFIC INSTALLATION REQUIREMENTS.
- 2 FOR REQUIRED INSTALLATION SPACE, TAKE THE LENGTH OF STILL-PIPE INTO CONSIDERATION.
- 1 PRESSURE AND TEMP RATING: FOR PRESSURE APPLICATIONS, CALCULATION OF FLANGE THICKNESS HAS TO BE DONE WITH RESPECT TO FLANGE MATERIAL, GASKET TYPE AND BOLTING. MAX ALLOWABLE RATING FOR ANTENNA TANK SEAL IS DEPENDING ON THE SEAL TYPE AND O-RING SELECTION.

POS	ITEM DESCRIPTION	QTY	REMARK	SUPPLIER
08	GASKET	2	SEE NOTE 1.	CUSTOMER
07	PIPE FLANGE	1	DIMENSIONS, SEE TABLE 1.	RTR
06	ANTENNA PLATE	1	DIMENSIONS, SEE TABLE 1	RTR
05	BOLTING	1	ACC TO FLANGE STD	CUSTOMER
04	FLANGE WITH CENTER HOLE $\phi 34 \pm 0.3\text{mm}$ THICKNESS: MAX 42mm	1	FLANGE DIMENSIONS ACC TO: EN1092-1, DN80-DN250 ASME B16,5 3"-10", P/T RATING, SEE NOTE 1	CUSTOMER
03	NOZZLE/TANK FLANGE	1		
02	NOZZLE	1		CUSTOMER
01	STILL-PIPE	1	$\phi 60.3 \times 2$, SEE SHEET 2.	CUSTOMER
POS	ITEM DESCRIPTION	QTY	REMARK	SUPPLIER

ISSUED BY EMe-BL	WEEK 1413	PRODUCT CODE 5900	FILE ACAD	INSTALLATION DRAWING TITLE MECHANICAL INSTALLATION DWG ANTENNA STILL-PIPE 2"			
APPROVED BY EMe-MH	WEEK 1414	ORIGINAL DWG NO. -	SCALE -	DOC TYPE 2	DWG NO. D7000002-187	ISSUE 02	SHEET 01/02
ROSEMOUNT Tank Gauging				1 ST ANGLE 	THE COPYRIGHT/OWNERSHIP OF THIS DOCUMENT IS AND WILL REMAIN OURS. THE DOCUMENT MUST NOT BE USED WITHOUT OUR AUTHORIZATION OR BROUGHT TO THE KNOWLEDGE OF A THIRD PARTY. CONTRAVENTION WILL BE PROSECUTED. ROSEMOUNT TANK RADAR AB, SWEDEN.		



06	HOSE CLAMP	2	STAINLESS STEEL A2	RTR
05	DEFLECTION PLATE	1	AISI 316L	RTR
04	PIPE COUPLING	1	AISI 316L	RTR
03	PIPE FLANGE	1	AISI 316L, SEE SHEET 1	RTR
02	PIPE EXTENSION	1	ø60,3x2mm L=3000mm AISI 316L	RTR
01	PIPE TOP	1	ø60,3x2mm L=3000mm AISI 316L	RTR

POS	ITEM DESCRIPTION	QTY	REMARK	SUPPLIER
ISSUED BY	WEEK	PRODUCT CODE	FILE	INSTALLATION DRAWING TITLE
EMe-BL	1413	5900	ACAD	MECHANICAL INSTALLATION DWG
APPROVED BY	WEEK	ORIGINAL DWG NO.	SCALE	ANTENNA STILL-PIPE 2
EMe-MH	1414	-	-	

ROSEMOUNT
Tank Gauging

1 ST ANGLE

DOC TYPE | DWG NO. | ISSUE | SHEET

2 | D7000002-187 | 02 | 02/02

THE COPYRIGHT/OWNERSHIP OF THIS DOCUMENT IS AND WILL REMAIN OURS. THE DOCUMENT MUST NOT BE USED WITHOUT OUR AUTHORIZATION OR BROUGHT TO THE KNOWLEDGE OF A THIRD PARTY. CONTRAVENTION WILL BE PROSECUTED. ROSEMOUNT TANK RADAR AB, SWEDEN.