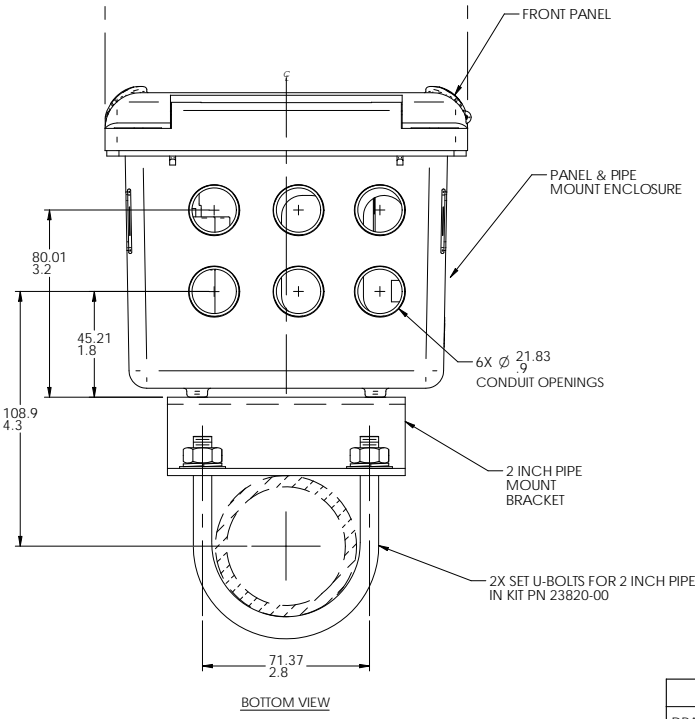
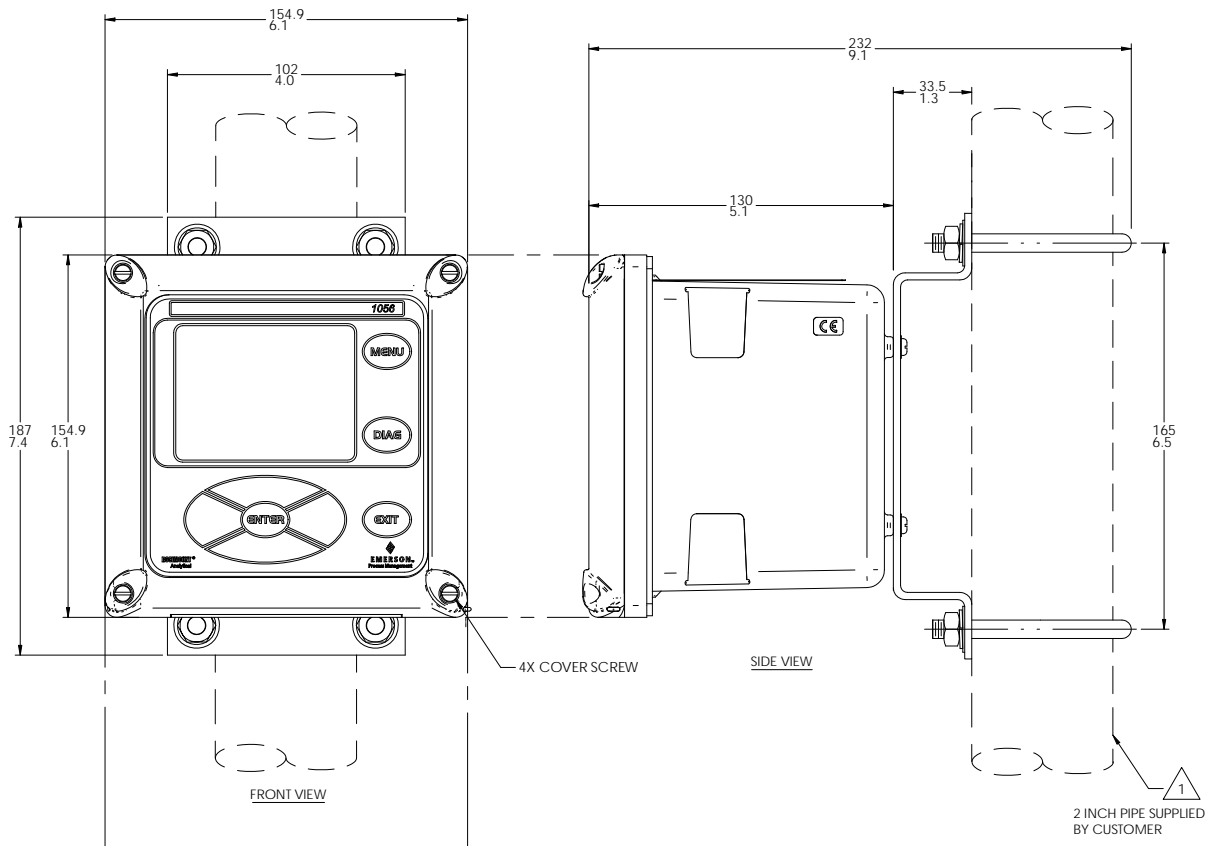


WHEN INCH AND METRIC DIMS
ARE GIVEN
MILLIMETER
INCH

REVISIONS			
LTR	DESCRIPTION	DATE	APVD



DO NOT OPERATE OR ENERGIZE INSTRUMENT WITH CASE OPEN.

VERTICAL PIPE MOUNTING SHOWN. TO HORIZONTAL PIPE, ROTATE BRACKET AND U-BOLTS 90°.

NOTES: UNLESS OTHERWISE SPECIFIED

APPROVALS		DATE	Rosemount Analytical, Inc. 2400 Barranca Pkwy Irvine, CA 92606		
DRAWN	B. JOHNSON	11-22-06	TITLE MODEL 1056 W/2 IN PIPE MOUNTING BRACKET DIMENSIONAL DRAWING		
CHECKED	J. LENGYEL	11-29-06			
PROJECT ENGR APVD	P. ANSON	11-29-06			
THIS DWG CREATED IN SOLID EDGE			B SIZE	DWG NO 40105601	REV A