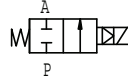
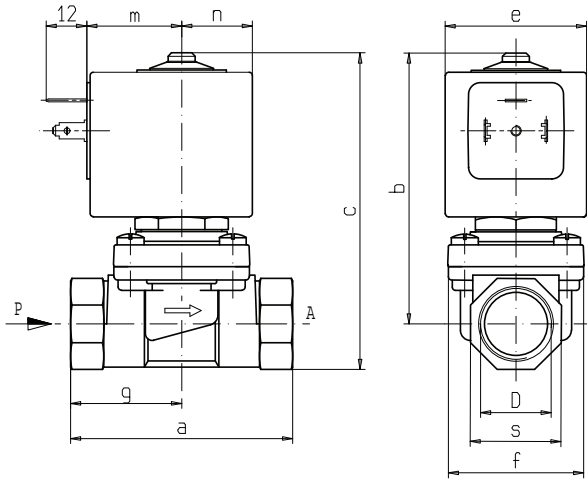


ASCO™ SOLENOID VALVE

2/2 NORMALLY CLOSED – PILOT OPERATED HUNG DIAPHRAGM - 1/2 - 3/4 - 1 NPT

SERIES
L153-NPT



D	a	b	c	e	f	m	n	s	g
1/2 NPT	66	80,5	94	42	41	28	21	27	-
3/4 NPT	79	85,5	102,5	42	51	28	21	33	-
1 NPT	105	106	127	48,6	71	35	24,3	42	46

General Features

Pilot operated hung diaphragm solenoid valve, with full orifice.

Suitable to shut off liquid and gaseous fluids; particularly suitable to shut off overheated water and steam (verify the compatibility of fluid with materials in contact).

Technical Features	
Maximum allowable pressure (PS)	16 bar
Opening time	from ~100ms to ~150ms
Closing time	from ~100ms to ~400ms
Fluid temperature	-10°C +140°C
Max viscosity	5°E (~37 cStokes or mm ² /s)

Materials in Contact with Fluid	
Body	Brass
Sealing	EPDM
Diaphragm	PTFE
Internal components	Stainless steel
Seat	Stainless steel
Core tube	Stainless steel
Shading coil	Copper

Coil	
Continuous duty	ED 100%
Encapsulation material	PET (polyethylene-terephthalate) fiberglass reinforced
Insulation class	H (165°C) - UL
Ambient temperature	-10°C +80°C
Electric connections	DIN 46340 - 3 poles connectors (EN175301-803)
Protection degree	IP 65 (EN 60529) with plug connector
Voltages	AC 24V/50Hz - 110V/50Hz (120V/60Hz) 230V/50Hz (+10% -15%) (Other voltages and frequencies on request)

Port size (ins)	Orifice size (mm)	Differential pressure (bar)				Kv (m ³ /h)	Series and type		Power absorption			Sealings	Notes	Weight (kg)	
		Δp min	Δp max		Valve		Coil	AC (VA)		DC (W)					
			Gases	Liquids				Inrush	Holding						
1/2 NPT	11,5	0	8	-	6	-	L153D08	Z134A	44	24	-	EPDM	1-2-3	0,660	
3/4 NPT	17		8	-	6	-								5	0,870
1 NPT	22		8	-	6	-								8,5	L153D09

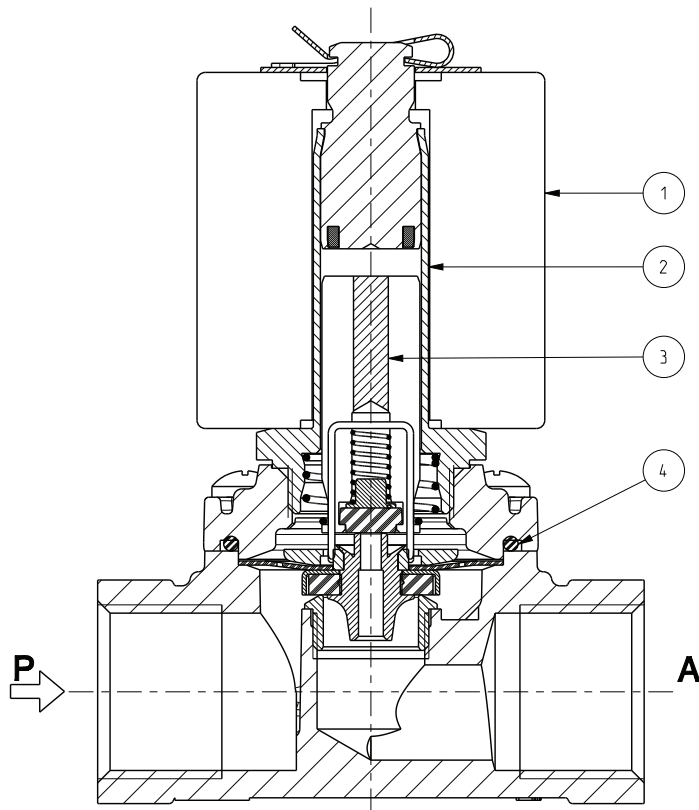
Notes

- Sealings : EPDM = Ethylene-propylene elastomer
- 1 - Only for use with steam, consider following values: max pressure 3 bar (max temperature of fluid 140°).
- 2 - The valves can operate in vacuum conditions at 0 bar absolute downstream.
- 3 - On request Z130A or Z923A coil encapsulated in PBT (Polybutylene-terephthalate) in class "F" (+140°C): maximum fluid temperature +100°C, maximum ambient temperature +60°C.

SERIES
L153-NPT

ASCO™ SOLENOID VALVE
2/2 NORMALLY CLOSED – PILOT OPERATED HUNG DIAPHRAGM - 1/2 - 3/4 - 1 NPT

Spare Parts



Kit description	Model	Port Size	Kit P.N.	Consisting of:
Diaphragm core kit	L153D08	G1/2	G3084101	Core and sealing disc kit pos.3 OR guide assembly pos. 4
		G3/4	G3084201	
	L153D09		G2836601	
Guide assembly	L153D08		3078101R	Guide assembly pos. 2
	L153D09		2834901R	
Coil	L153D08		Z134A	Coil pos. 1
	L153D09		Z914A	

Installation

- Solenoid valve can be mounted in any position; vertical with coil upwards preferred.

THE VALIDITY OF REPORTED DATA IS REFERRED TO THE DATE OF ISSUE. POSSIBLE UPDATES ARE AVAILABLE ON REQUEST