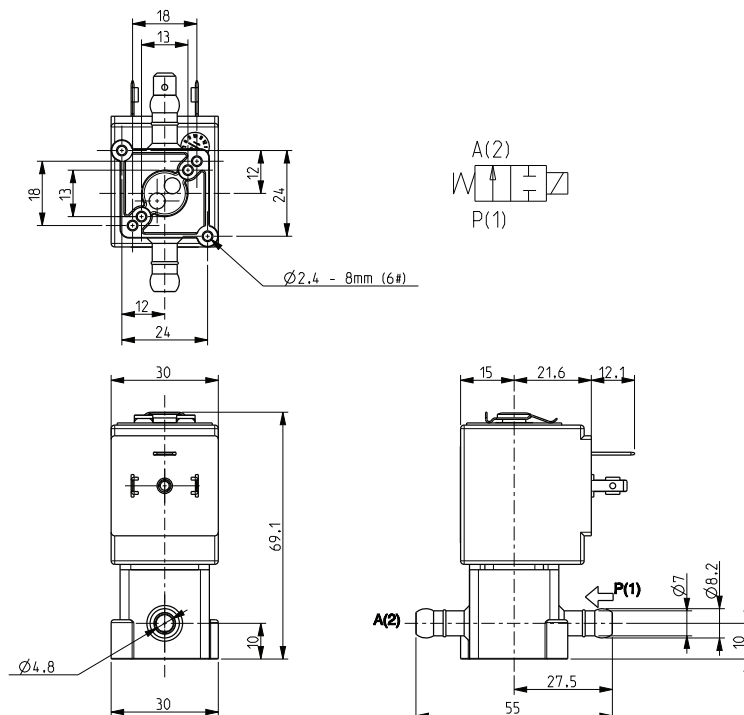


ASCO™ SOLENOID VALVE

2/2 NORMALLY CLOSED – DIRECT ACTING - BARBED PORTS

SERIES
L123-V04



General Features

Direct acting solenoid valve.

Suitable to shut off liquid and gaseous fluids; suitable for low pressure steam and applications in sterilising autoclaves (verify the compatibility of fluid with materials in contact).

Technical Features	
Maximum allowable pressure (PS)	10 bar
Opening time	~20ms
Closing time	~20ms
Fluid temperature	0°C +130°C
Max viscosity	5°E (~37 cStokes or mm ² /s)

Materials in Contact with Fluid	
Body	PPS
Sealing	FPM
Internal components	Stainless steel
Seat	PPS
Guide assembly	Stainless steel
Shading ring	Copper

Coil		
Approval	UL (class F) – for UL cl.H: ZA34 (E153691)	
Continuous duty	ED 100%	
Encapsulation material	PPS (Polyphenilsulfure) fiberglass reinforced	
Insulation class	F (155°C) on request class H (180°C)	
Ambient temperature	-10°C +50°C	
Electric connections	DIN 46340 - 3 poles connectors (EN175301-803)	
Protection degree	IP 67 (EN 60529) with plug connector	
Voltages	DC	12-24V (+10% -5%)
	AC	24V/50Hz - 110V/50Hz (120V/60Hz) - 230V/50Hz (+10% -15%) (Other voltages and frequencies on request)

Port size	Orifice size (mm)	Differential pressure (bar)				Kv (m ³ /h)	Series and type		Power absorption			Sealings	Notes	Weight (kg)	
		Δp min	Δp max				Valve	Coil	AC (VA)		DC (W)				
			AC	DC	AC				DC	Inrush					Holding
Barbed ports	2,3	0	10	10	10	10	L123V04	ZA10A	23	14	9	FPM	1 - 2	0,210	
	3,2		10	4	10	4			23	14					9

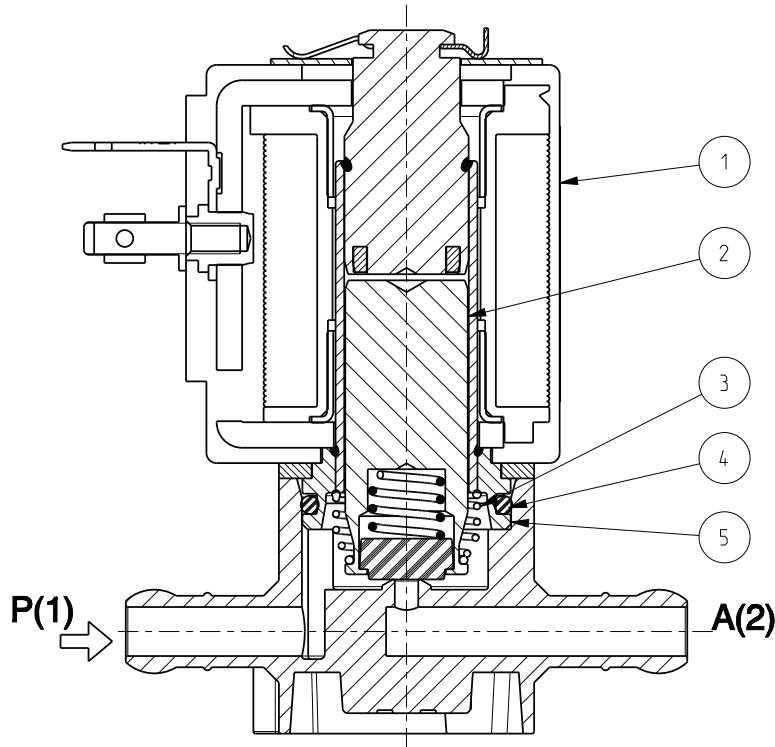
Notes

- Sealings : FPM = Fluoro-carbon elastomer
- IMQ CSV approval, see ZA10 datasheet for further details
- 1 - Only for use with steam, consider following values: PSmax 2,8 bar (max fluid temperature 130°)
- 2 - The pressure values shown in the table refer to the potential of the valve: they can be lower depending on the connection system used

SERIES
L123-V04

ASCO™ SOLENOID VALVE
2/2 NORMALLY CLOSED – DIRECT ACTING - BARBED PORTS

Spare Parts



Kit description	Kit P.N.	Consisting of:
Core kit	G3139401	Core pos. 2
Core return spring kit	G3022401	N.10 core return spring pos. 3
O-Ring guide assembly kit	GU2428000017	N.10 O-Ring guide assembly pos. 4
Guide assembly kit	G31487	Guide assembly pos. 5 Coil clip
Coil	ZA10A	Coil pos.1

Installation

- Solenoid valve can be mounted in any position; vertical with coil upwards preferred.
- In case of disassembling for usual maintenance, the fixing screws of the guide assembly have to be tightened with 0,6±0,7 Nm torque.

THE VALIDITY OF REPORTED DATA IS REFERRED TO THE DATE OF ISSUE. POSSIBLE UPDATES ARE AVAILABLE ON REQUEST