



## YARWAY DISC STEAM TRAPS

SERIES 129Y-III/YF

A disk-type steam trap with excellent performance to achieve optimal drain discharge.



129YF



129Y-III

### FEATURES

- Versatile disk type design.
- Stainless steel body for a longer life and greater reliability.
- An optional weather cap is available to further energy conservation.

### OPTION

- Stainless steel flange(SUS304).

### GENERAL APPLICATION

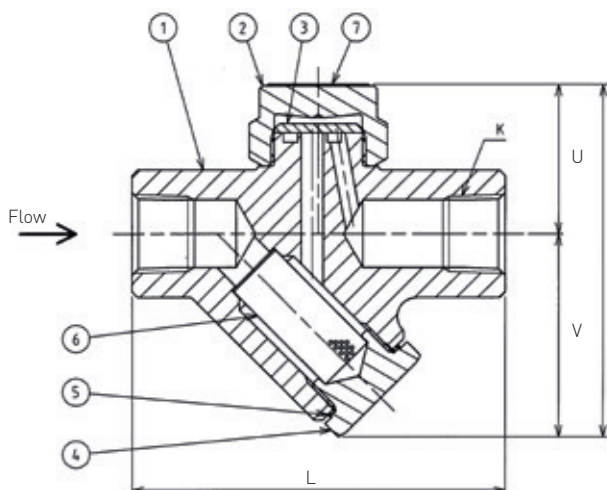
Steam main pipe, branch pipe, steam header, steam trace, heating, and general steam devices.

### TECHNICAL DATA

Size:	DN 10 - 25 (NPS 3/8 - 1/2)
Max. operating pressure:	2.8 MPa (406 psi)
Max. back pressure limit:	70% (DN 10, 15) 50% (DN 20, 25)
Max. operating temperature:	350°C (662°F)
Connections:	Socket weld (ASME, JIS) Flanged (ASME, JIS, JPI)

# YARWAY DISC STEAM TRAPS

## SERIES 129Y-III/YF



### DIMENSIONS (mm) 129Y-III

Size				Weight	
DN	(NPS)	U	V	L	kg
10	[3/8]	41	55	100	1.0
15	[1/2]	41	55	100	1.0
20	[3/4]	48	70	100	1.4
25	(1)	52	70	110	1.9

### DIMENSIONS (mm) 129YF

Size				Weight	
DN	(NPS)	U	V	L	kg
15	[1/2]	41	55	124	2.2
20	[3/4]	48	70	128	2.8
25	(1)	52	70	138	4.1

### PARTS LIST

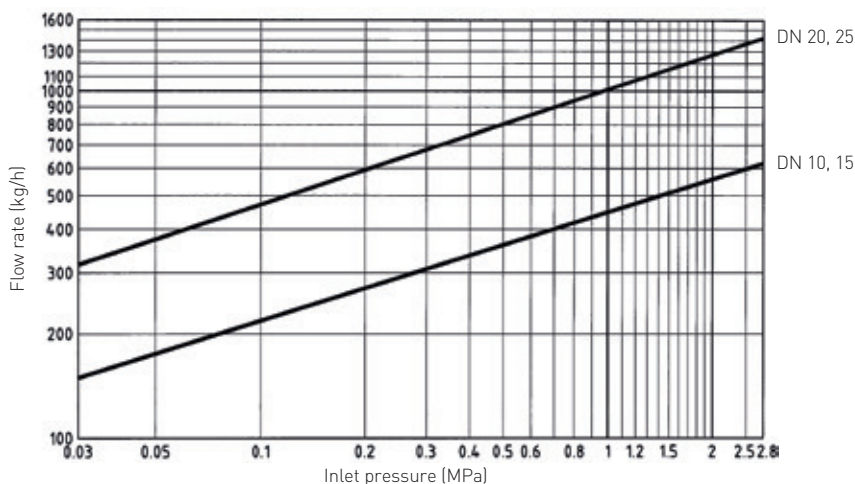
No.	Part	Material
1	Body	Stainless steel (Heat treated)
2	Bonnet	Stainless steel
3	Disc	Stainless steel (Heat treated)
4	Screen cap	Carbon steel
5	Gasket	Stainless steel
6	Screen	Stainless steel
7	Name plate	Stainless steel

### 129Y-III FACE TO FACE FOR FLANGED TYPE (mm)

Size	JIS10K, 16K, 20K	
	DN	ASME Class 150, 300
15	[1/2]	210
20	[3/4]	220
25	(1)	230

**NOTE:** a short pipe enters between the trap and flange.

### CONDENSATE CAPACITY NEAR STEAM TEMPERATURE



**NOTE:** the lines indicate the condensate discharge at a temperature 17°C (63°F) lower than a saturation temperature.

### 129YF FACE TO FACE FOR FLANGED TYPE (mm)

Size	JIS10K	
DN	(NPS)	
15	[1/2]	124
20	[3/4]	128
25	(1)	138

**NOTE:** a 129YF model has a structure integrated with a JIS10K-FF flange.

Neither Emerson, Emerson Automation Solutions, nor any of their affiliated entities assumes responsibility for the selection, use or maintenance of any product. Responsibility for proper selection, use, and maintenance of any product remains solely with the purchaser and end user.

Yarway is a mark owned by one of the companies in the Emerson Automation Solutions business unit of Emerson Electric Co. Emerson Automation Solutions, Emerson and the Emerson logo are trademarks and service marks of Emerson Electric Co. All other marks are the property of their respective owners.

The contents of this publication are presented for informational purposes only, and while every effort has been made to ensure their accuracy, they are not to be construed as warranties or guarantees, express or implied, regarding the products or services described herein or their use or applicability. All sales are governed by our terms and conditions, which are available upon request. We reserve the right to modify or improve the designs or specifications of such products at any time without notice.