



ANDERSON GREENWOOD WHESSOE 4130A PRESSURE RELIEF VALVES

Weight or spring loaded pressure relief valves with a wide variety of material and sizing options that vent to atmosphere



FEATURES

- Weight or spring loaded models available.
- Choice of body materials.
- Stainless steel removable seats.
- Low ambient temperature version available.
- Full flange.
- ANSI and DIN flanges.
- Self draining body.

GENERAL APPLICATION

The 4130A is designed to satisfy the requirements of the liquid storage industry in storage tank farms, in the petroleum and chemical sectors, in refineries and terminals.

TECHNICAL DATA

Materials:	Aluminum, carbon steel, stainless steel
Sizes:	2" to 12" (DN 50 to 300)
Pressure settings	
Weight loaded:	2.5 to 60 mbarg
Spring loaded:	60 to 3500 mbarg

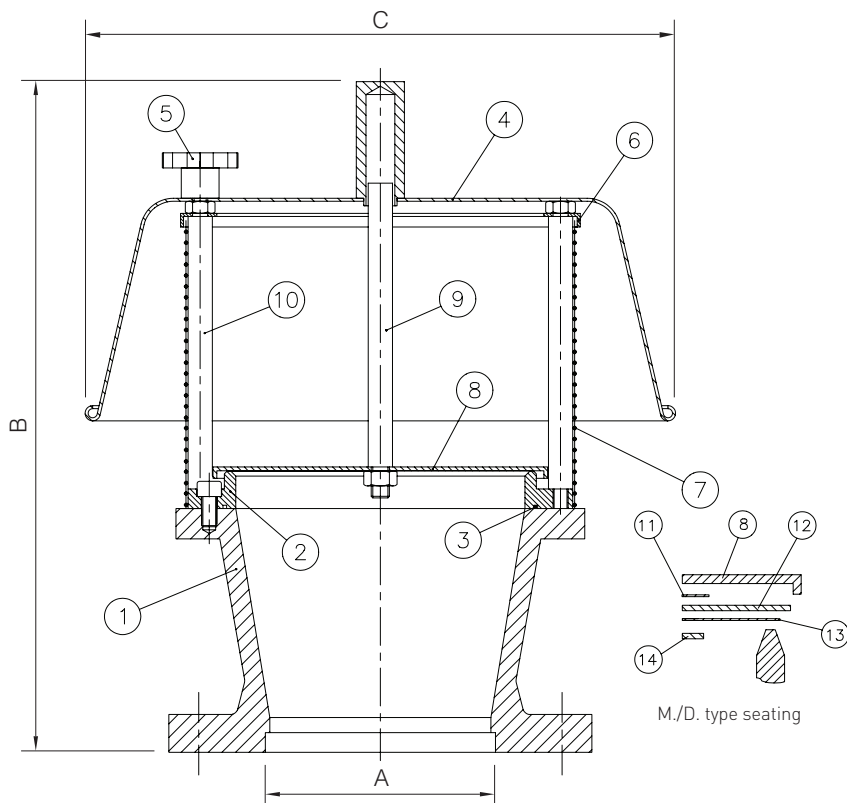


ANDERSON GREENWOOD WHESSOE 4130A PRESSURE RELIEF VALVES

DIMENSIONS AND WEIGHTS

4130A PRESSURE RELIEF VALVE

Weight loaded



PARTS LIST

Item	Description	Alum spec.	C.Steel	SS spec
1	Valve body	Aluminum	WCB	316 SS
2	Removable seat	Aluminum	316 SS	316 SS
3	O-ring seal	Nitrile	Nitrile	Nitrile
4	Weatherhood	Aluminum	C Steel	316 SS
5	Handlenuts	Phenolic	Phenolic	Phenolic
6	Screen ring	Aluminum	C Steel	316 SS
7	Screen	Galv St	Galv St	18/8 SS
8	Pallet	316 SS	316 SS	316 SS
9	Pallet stem	316 SS	316 SS	316 SS
10	Pallet guide posts	316 SS	316 SS	316 SS
11	Spacer disc	Non-asbestos	Non-asbestos	Non-asbestos
12	Diaphragm back.disc	Non-asbestos	Non-asbestos	Non-asbestos
13	Diaphragm	PTFE	PTFE	PTFE
14	Diaphragm supp.disc	316 SS	316 SS	316 SS

DIMENSIONS

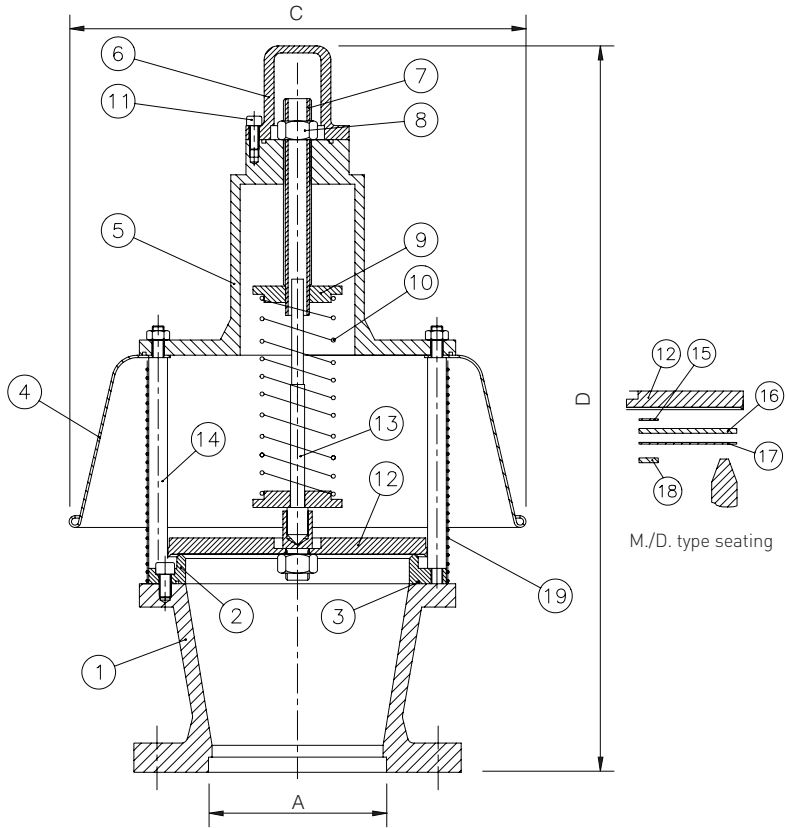
Nominal size DN	50	75	100	150	200	250	300
Nominal size NPS	2	3	4	6	8	10	12
A	50	76	101	152	203	254	305
B	307	339	372	443	552	627	650
C	202	253	303	392	555	620	682
D	478	510	542	620	675	797	832

4130A WEIGHT LOADED VENT TO ATMOSPHERE (kg)

	2"	3"	4"	6"	8"	10"	12"
Aluminum	3	5	7	12	18	27	36
Steel/St.St.	6	11	17	29	43	67	88

ANDERSON GREENWOOD WHESSOE 4130A PRESSURE RELIEF VALVES

4130A PRESSURE RELIEF VALVE
Spring loaded



PARTS LIST

Item	Description	Alum spec.	C.Steel	SS spec
1	Valve body	Aluminum	WCB	316 SS
2	Removable seat	Aluminum	316 SS	316 SS
3	O-ring seal	Nitrile	Nitrile	Nitrile
4	Weatherhood	Aluminum	C Steel	316 SS
5	Spring bonnet	Aluminum	WCB	316 SS
6	Bonnet cap	Aluminum	WCB	316 SS
7	Adjustment screw	316 SS	316 SS	316 SS
8	Locknut	18/8 SS	18/8 SS	18/8 SS
9	Spring washers	316 SS	316 SS	316 SS
10	Spring	316 SS	316 SS	316 SS
11	Cap screw	ZP Steel	ZP Steel	18/8 SS
12	Pallet	316 SS	316 SS	316 SS
13	Pallet stem	316 SS	316 SS	316 SS
14	Pallet guide posts	316 SS	316 SS	316 SS
15	Spacer disc	Non-asbestos	Non-asbestos	Non-asbestos
16	Diaphragm back.disc	Non-asbestos	Non-asbestos	Non-asbestos
17	Diaphragm	PTFE	PTFE	PTFE
18	Diaphragm supp.disc	316 SS	316 SS	316 SS
19	Screen	Galv St	Galv St	18/8 SS

4130A SPRING LOADED VENT TO ATMOSPHERE (kg)

	2"	3"	4"	6"	8"	10"	12"
Aluminum	5	7	11	16	24	tba	tba
Steel/St.St.	13	19	29	42	188	-	-

ANDERSON GREENWOOD WHESSOE 4130A PRESSURE RELIEF VALVE

4130A WEIGHT LOADED VENT TO ATMOSPHERE FLOW FIGURES

Set pressure mbar	2"			3"			4"			6"			8"			10"			12"		
	Over pressure			Over pressure			Over pressure			Over pressure			Over pressure			Over pressure			Over pressure		
	20%	35%	50%	20%	35%	50%	20%	35%	50%	20%	35%	50%	20%	35%	50%	20%	35%	50%	20%	35%	50%
2.5	88	112	133	197	252	299	351	448	532	789	1009	1198	1403	1793	2129	2192	2802	3327	3157	4035	4791
10	175	224	266	395	504	599	702	897	1065	1579	2018	2395	2806	3587	4258	4385	5605	6654	6314	8071	9581
25	277	354	421	624	798	947	1109	1418	1683	2496	3190	3787	4437	5671	6733	6933	8862	10520	9983	12761	15149
50	392	501	595	882	1128	1339	1569	2005	2380	3530	4512	5356	6275	8021	9522	9805	12532	14878	14119	18046	21424
60	430	549	652	967	1236	1467	1718	2197	2608	3867	4942	5867	6874	8786	10431	10741	13728	16298	15466	19769	23469

Flow in m³/hr

4130A SPRING LOADED VENT TO ATMOSPHERE PRESSURE FLOW FIGURES

Set pressure mbar	2"			3"			4"			6"			8"			10"			12"		
	Over pressure			Over pressure			Over pressure			Over pressure			Over pressure			Over pressure			Over pressure		
	20%	35%	50%	20%	35%	50%	20%	35%	50%	20%	35%	50%	20%	35%	50%	20%	35%	50%	20%	35%	50%
150	275	376	443	619	847	996	1100	1505	1771	2475	3386	3985	4399	6020	7084	6874	9407	11069	9899	13546	15940
250	355	486	572	800	1094	1288	1422	1946	2290	3199	4378	5151	5687	7783	9158	8886	12161	14310	12796	17511	20606
500	503	688	809	1131	1548	1821	2011	2752	3238	4524	6191	7285	8043	11007	12952	12567	17198	20237	18097	24765	29141
750	615	842	991	1384	1894	2229	2461	3368	3963	5537	7578	8917	9844	13471	15852	15381	21049	24768	22149	30310	35666

Flow in m³/hr

Neither Emerson, Emerson Automation Solutions, nor any of their affiliated entities assumes responsibility for the selection, use or maintenance of any product. Responsibility for proper selection, use, and maintenance of any product remains solely with the purchaser and end user.

Anderson Greenwood is a mark owned by one of the companies in the Emerson Automation Solutions business unit of Emerson Electric Co. Emerson Automation Solutions, Emerson and the Emerson logo are trademarks and service marks of Emerson Electric Co. All other marks are the property of their respective owners.

The contents of this publication are presented for informational purposes only, and while every effort has been made to ensure their accuracy, they are not to be construed as warranties or guarantees, express or implied, regarding the products or services described herein or their use or applicability. All sales are governed by our terms and conditions, which are available upon request. We reserve the right to modify or improve the designs or specifications of such products at any time without notice.

Emerson.com/FinalControl