

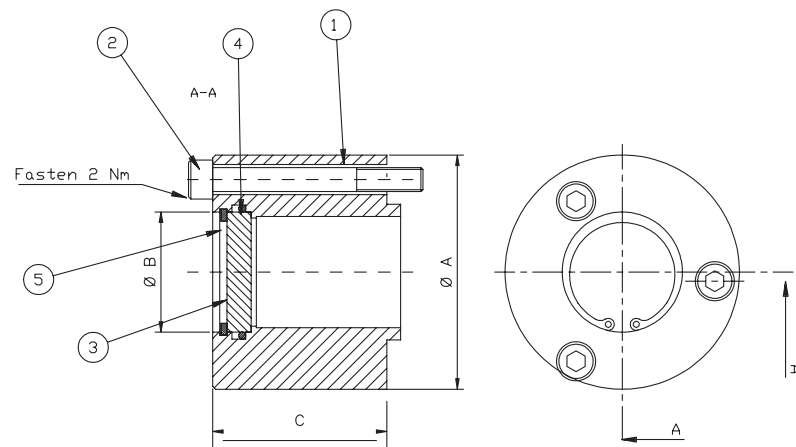
# Shaft cover with sight glass for BHH/BHBF actuators

## Description:

This cover series protects against intrusion of fluids in indicator shaft area when the actuator is submerged or mounted under extreme conditions. For applications where visual indication is essential during installation or maintenance of system.

## Dimensions: in mm. (Inches in parenthesis)

	Ø A	Ø B	C
BHH 125	39.0 (1.54)	20.0 (.79)	29.0 (1.14)
BHH 250	47.5 (1.87)	20.0 (.79)	24.0 (.94)
BHH 500	55.0 (2.17)	20.0 (.79)	26.0 (1.02)
BHH 1000-4000	46.0 (1.81)	20.0 (.79)	28.3 (1.11)
BHBF 125-4000	39.0 (1.54)	20.0 (.79)	29.0 (1.14)



1. Shaft cover		
2. Screw	(BHH 125, BHBF 125-4000)	M4 x 35
	(BHH 250 - 4000)	M4 x 10
3. Sight glass		
4. O-ring Ø 19		
5. Seegerring		

## Materials:

Shaft cover: AISI 316 (Stainless)

Note: Not Certified dimensional drawings. Such drawings are available on request. Contact factory with correct model designation and serial number.  
Important: Due to Emerson's continuing commitment to engineered product advancement, data presented herein is subject to change.

The contents of the publication are presented for information purposes only, and while effort has been made to ensure their accuracy, they are not to be construed as warranties or guarantees, express or implied, regarding the products or services described herein or their use or applicability. All sales are governed by our terms and conditions, which are available on request.

We reserve the right to modify or improve the designs or specifications of our products at any time without notice.