



KEYSTONE K-LOK® HIGH PERFORMANCE BUTTERFLY VALVES SERIES 36 AND 37 - ISO

K-LOK® Series 36 - PN 10/16 / ASME 150
K-LOK® Series 37 - PN 25/40 / ASME 300



GENERAL APPLICATIONS

- Modulating service
- Airport refueling
- Hydrocarbon processing
- Chemical/petrochemical processing
- Purified gas
- Steam and vacuum services
- Power and utilities
- Refrigeration
- HVAC
- Alumina refining

TECHNICAL DATA

Size range:	DN 50 to DN 300
Vacuum rating:	1.016 x 10 ⁻³ mm Hg
Body style:	Wafer, lug
Pressure rating:	Series 36 - PN 10/16 ASME 150 Series 37 - PN 25/40 ASME 300
Temperature rating:	-40 °C to 260 °C

Lug style valves are full rated for bidirectional dead end service as standard.

FEATURES AND BENEFITS

- K-LOK® polymer seats provide bi-directional, drop-tight shut-off in vacuum as well as at full rated differential pressure. Its unique design does not rely on pressure to assist sealing therefore seals at high and low pressures, as well as dirty services. A variety of materials allows optimum seat life in all applications.
- Blow-out resistant shaft is standard on all valves for increased safety.
- Unique packing design allows for use in pressure as well as vacuum without modification or special assembly.
- Disc taper pins are tangentially positioned half in disc and half in shaft, placing them in compression rather than shear, which eliminates potential for failure.
- Rocker-shaped gland bridge compensates for uneven adjustment of gland nuts reducing packing leaks.
- Integrally cast disc position stop perfectly locates the disc in seat, achieving maximum seat and seal life.
- Extended neck allows for 50 mm of pipeline insulation.
- Flattened body bore at shaft journal ports positions shaft bearings near disc, providing maximum shaft support resulting in reduced wear and longer life.
- ISO 5211 actuator mounting.
- All valves comply with Pressure Equipment Directive (PED) CE marking.
- All valves certified to EN 15848 fugitive emissions.

KEYSTONE K-LOK® HIGH PERFORMANCE BUTTERFLY VALVES

SERIES 36 AND 37 - ISO

PRINCIPLES OF OPERATION

Double offset disc/shaft

K-LOK®'s unique two-piece shaft and double-offset disc/shaft design allows for high cycling and creates a lower disc profile with increased capacity and a rangeability of 33:1.

In addition to increasing the flow area across the disc, this design minimizes wear points between seat and disc.

The first offset is achieved by locating the shafts downstream of the center-line of the seat. This allows for a totally unobstructed 360° sealing surface.

The second offset locates the shafts off-center of the vertical axis of the seat.

The combination of these two offsets creates a camming effect as the disc swings into and out of the seat. The disc lifts quickly out of the seat in the first few degrees of travel and does not contact the seat again until it is nearly closed. There are no wear points between the seat and disc, while operating torques are reduced and seat life is extended.

Adjustable shaft packing

The K-LOK®'s unique shaft packing is composed of 3 rings of braided PTFE rope between one PTFE V-ring at the top and bottom. The packing operates on an interference fit with the body and therefore will seal in pressure and vacuum. Many other manufacturers' designs will require special packing for vacuum services.

This packing is easily field adjustable without the need to remove actuation due to its unique inverted packing adjustment bolts. Another important feature is the use of a rocker shaped packing gland bridge that compensates for uneven tightening of the packing gland bolts eliminating packing leaks due to uneven packing compression.

Blow-out resistant shaft (BOR)

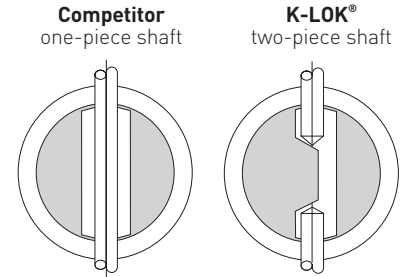
The Keystone K-LOK® high performance butterfly valve contains a blow-out resistant shaft as a standard. This is achieved by machining a groove in the shaft that allows a snap ring to lock into the shaft groove. The packing gland follower is provided with an undercut on its lower surface which encapsulates the locked in snap ring. This design provides positive retention of the shaft in the unlikely event of a shaft breakage.

Live loaded packing

The EN 15848 fugitive emissions version of the Keystone K-LOK® comes standard with live loaded packing.

Two-piece shaft vs. one-piece shaft

K-LOK®'s disc geometry maximizes flow capacity by increasing the available flow area through the valve. This increase in disc efficiency results in a higher valve C_v .

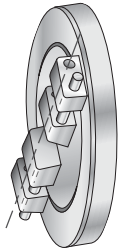


Aspect ratio = open area ÷ disc area

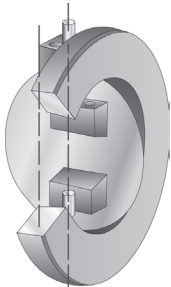
Standards and specifications applicable for K-LOK®

ASME	B16.34	Steel valves
	B31.3	Chemical plant and petroleum refinery piping
	B16.5	Steel pipe flanges and flange fittings
MSS	SP-25	Standard marking systems for valves
	SP-55	Quality standard for steel casting
	SP-61	Pressure testing of steel valves
	SP-68	High pressure offset disc butterfly valves
API	609	Butterfly valves
	598	Valve inspection and test, upon request
PED/CE European directive		
EN	558	Face to face dimensions
	1092-1	Flange drillings
	15848	Fugitive emissions

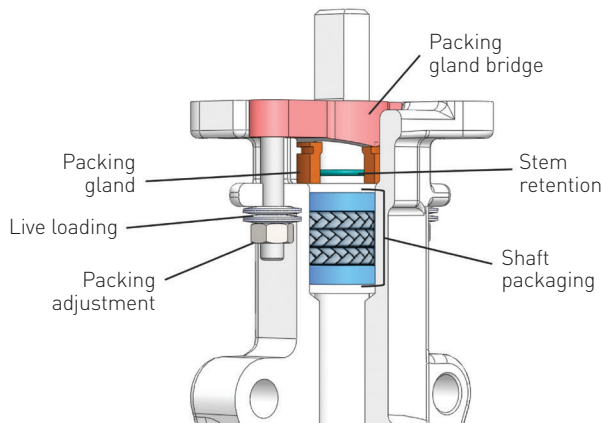
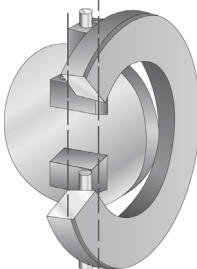
DOUBLE OFFSET



FIRST OFFSET



SECOND OFFSET



KEYSTONE K-LOK® HIGH PERFORMANCE BUTTERFLY VALVES

SERIES 36 AND 37 - ISO

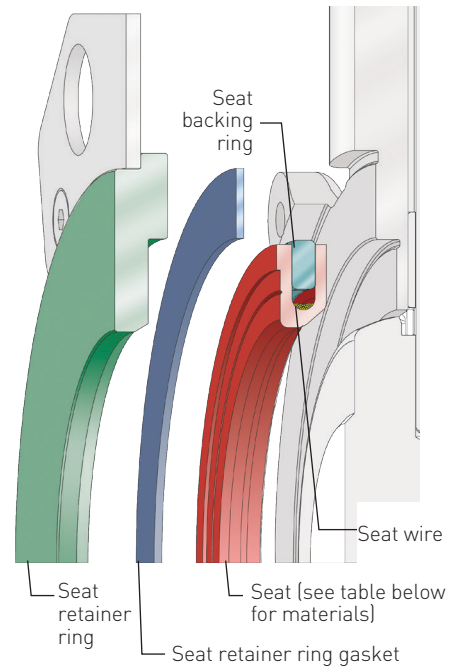
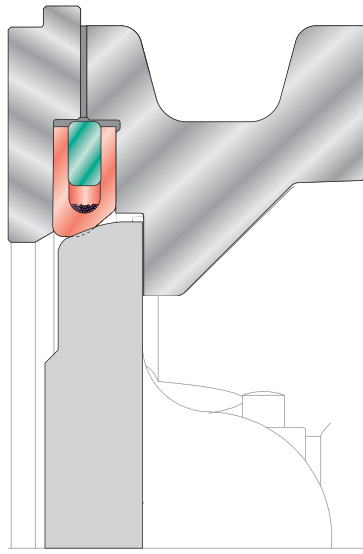
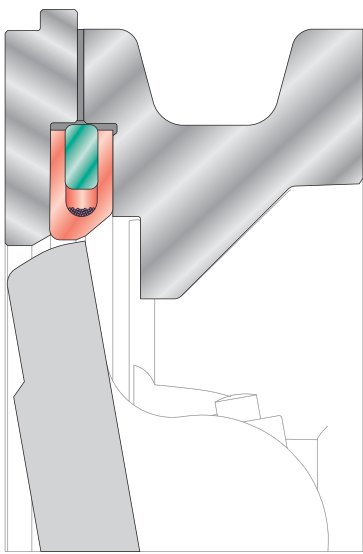
SEAT DESIGN

The K-LOK® seat is a true interference seat design and unlike most other manufactures does not rely on line pressure to assist in sealing. All seats seal drop-tight bi-directionally at low and high pressure as well as vacuum. Given the interference seat design the K-LOK® will also operate in dirty services where most pressure assist valves fail.

Polymer (PTFE and RTFE) seats incorporate a unique design consisting of a stainless steel braided wire winding, enclosed in a U-shape envelope to provide seating energy and memory. This wire winding allows axial flexibility in both directions of flow. The winding also allows radial flexibility when the disc is not fully closed, reducing seat/disc interference, seat wear and shaft torque. When the disc closes, it provides circumferential stiffness and assures the required disc/seat seals tight in both vacuum and pressure.

SEAT REPLACEMENT

All seats for the Keystone K-LOK® are easily field replaceable. Simply remove seat retainer ring, rotate disc to fully closed position and replace seat assembly and gasket. Dis-assembly of the disc and shaft is not required.

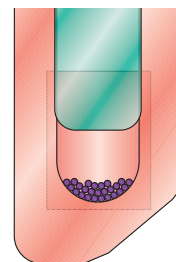


SEAT MATERIALS

Seat	Material	Typical applications
1. RTFE	Reinforced polytetrafluoroethylene	HVAC, steam, chlorine, ammonia, nitrogen, water, gasoline, vacuum
2. PTFE	Polytetrafluoroethylene	Pharmaceuticals, air, potable water, dyes, white mediums

For seats 1 thru 2

Wire wrap	Stainless steel braided wire	
Seat backing ring	Stainless steel	Steam, ammonia, elevated temperature services



KEYSTONE K-LOK® HIGH PERFORMANCE BUTTERFLY VALVES

SERIES 36 AND 37 - ISO

SEAT TIGHTNESS

All polymer seated valves are factory tested for bi-directional drop tight shut-off at 10% above the rated pressure. This exceeds the ANSI FCI 70-2 standard which establishes a service of six leakage classes for control valves as per below:

ANSI/FCI 70-2 CONTROL VALVE SEAT LEAKAGE, TOLERANCES, AND TEST SPECIFICATIONS

ANSI B16.104-1976	Maximum leakage			Test medium	Pressure and temperature
Class VI	Nominal port diameter (DN)	Bubbles per minute ^[2]	ml. per minute	Air or nitrogen	Service ΔP or 3.4 bar differential, whichever is lower, at 10°C to 52°C
	50	3	0.45		
	65	4	0.60		
	80	6	0.90		
	100	11	1.70		
	150	27	4.00		
	200	45	6.75		
Class V	5 x 10 ⁻¹² m ³ /sec/bar differential/mm port dia.			Water	Service ΔP at 10°C to 52°C
Class IV	0.01% valve capacity at full travel			Air or water	Service ΔP or 3.4 bar differential, whichever is lower, at 10°C to 52°C

NOTES

1. K-LOK® polymer seats meet or exceeds ANSI Class VI shut-off.
 2. Using the ANSI/FCI specified calibrated measuring device.
- Reference ANSI/FCI 70-2 for further information.

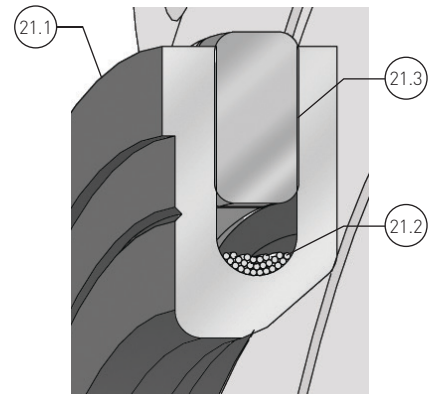
KEYSTONE K-LOK® HIGH PERFORMANCE BUTTERFLY VALVES

SERIES 36 AND 37 - ISO

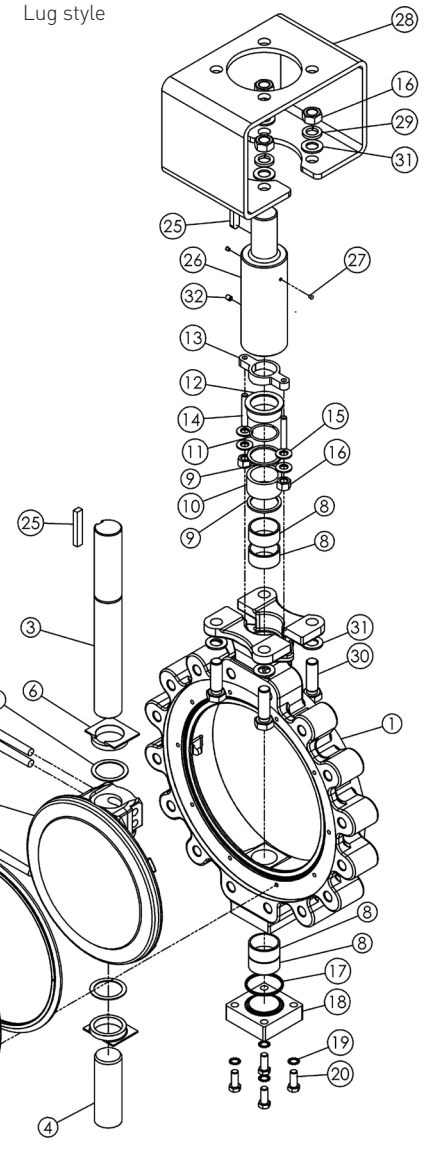
STANDARD MATERIALS OF CONSTRUCTION

Pos	Description	Material	Material standard
1	Body	Carbon steel	ASTM A216-WCB/ EN 10213 GP240H/ 1.0619
		Stainless steel	ASTM A351-CF8M/ EN 10213 Gx5CrNiMO 19-11-7/ 1.4408
2	Disc	316 SS	ASTM A351-CF8M/ EN 10213 Gx5CrNiMO 19-11-7/ 1.4408
3	Upper stem	17-4PH SS	ASTM A564- Condition H1075 or H1100
4	Lower stem	17-4PH SS	ASTM A564- Condition H1075 or H1100
5	Taper pin	17-4PH SS	ASTM A564- Condition H1075 or H1100
6	Spacer	316 SS	
7	Thrust washer	316SS/BRZ/PTFE	
8	Bearing	316SS/BRZ/PTFE	
		RTFE/Composite	
9	Anti-extrusion ring	316 SS	
10	Stem packing	PTFE	
11	Ring,stem retention	316 SS	
12	Gland	316 SS	
13	Gland bridge	17-4PH SS	
14	Stud	B8 CL2	
15	Belleville washer	50 CrV4	
16	Hex nut	Stainless steel 18.8	
17	Bottom spiral wound gasket	AISI 316+graphite	
18	Bottom cover	Carbon steel	ASTM A516 Gr.70-WCB
		Stainless steel	ASTM A240
19	Washer, ext. tooth lock	Stainless steel 18.8	
20	Screw, HEX HD cap	B8 CL2	
21	Seat assembly		
21.1	Seat	Polymer	PTFE , RTFE
21.2	Wire structure	Stainless steel	
21.3	Seat backing ring	Stainless steel	
22	Gasket seat retaining ring	Graphite	
23	Seat retaining ring	Carbon steel	ASTM A516 Gr.70-WCB
		Stainless steel	ASTM A240
24	Screw, socket HD cap	Stainless steel	
25	Key	Carbon steel	
26	Coupling (adaptor)	17-4PH SS	
27	Indicator pin	Rubber	Black color
28	Bracket	Carbon steel	Protection level C2 per ISO2081
29	Washer, split lock	Stainless steel	
30	Hex head bolt	Stainless steel	
31	Plain washer	Stainless steel	
32	Set screw	Stainless steel	
33	Retainer plate	Stainless steel	
		Carbon steel/zinc plated	
34	Retainer plate/clip screw	Stainless steel 18.8	
35	Clip	Stainless steel	

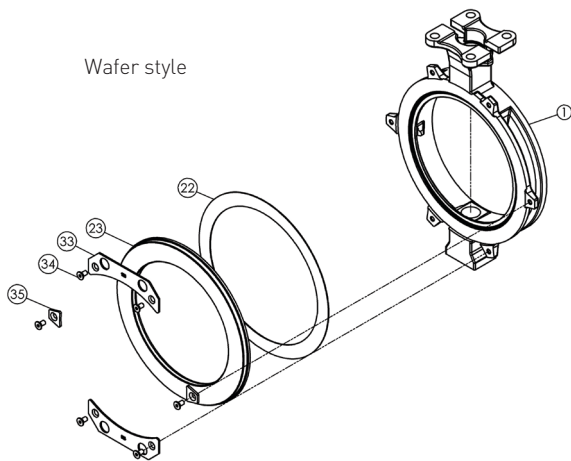
All fasteners are SS (B8M CL2/B8 CL2)



Lug style



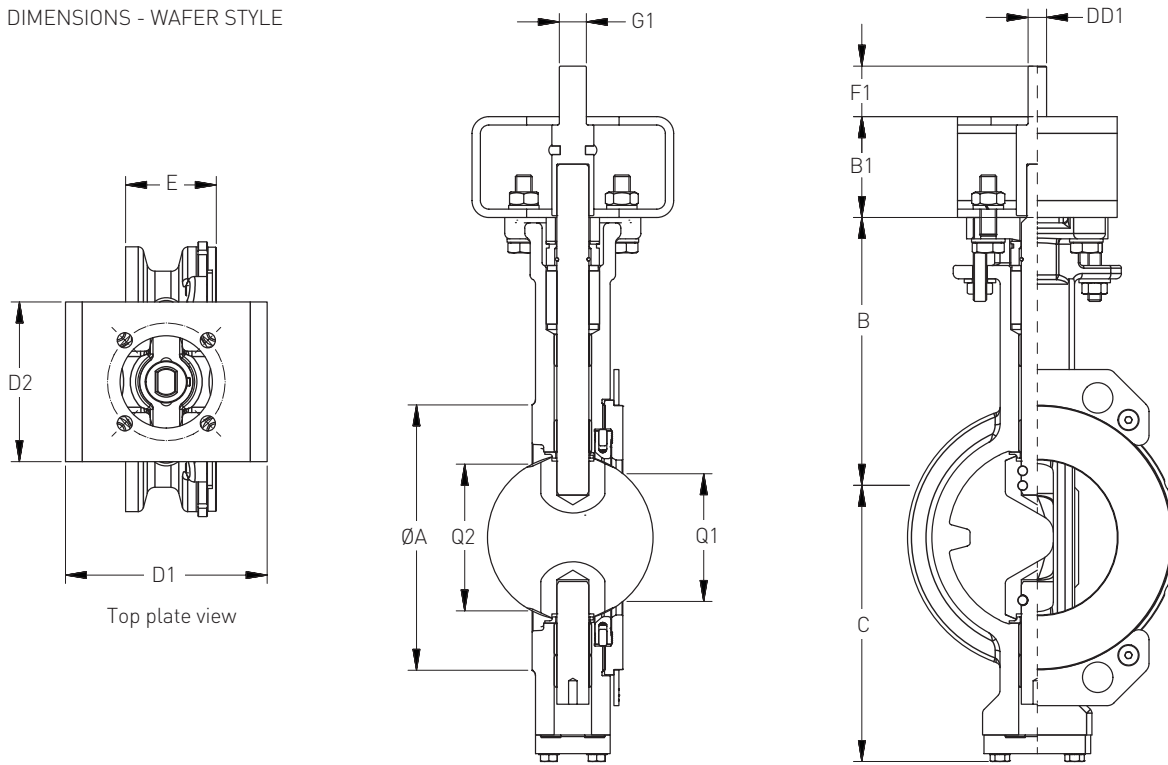
Wafer style



KEYSTONE K-LOK® HIGH PERFORMANCE BUTTERFLY VALVES

SERIES 36 AND 37 - ISO

DIMENSIONS - WAFER STYLE



SERIES 36, PN 10/16, WAFER STYLE, DIMENSIONS (mm)

Size	Shaft dimensions										Top plate data							Mass
DN	A	B	B1	C	D	E	F1	Q1	Q2	G1	DD1 or keyway	ISO flange type	PCD	No. holes	Hole dia.	D1	D2	kg
50	110	152	60	108	105	60	30	30	43	12	8	F07	70	4	9	110	85	8
65	105	152	60	121	105	46	30	51	54	12	8	F07	70	4	9	110	85	7
80	127	168	60	129	105	46	30	53	64	16	11	F07	70	4	9	110	85	8
100	157	191	60	141	105	52	30	82	90	16	11	F07	70	4	9	110	85	11
125	186	192	60	154	105	56	30	111	120	20	14	F07	70	4	9	110	85	13
150	216	222	60	186	154	56	30	135	140	20	14	F07	70	4	9	140	120	18
200	270	257	80	217	154	60	50	181	187	25	18	F10	102	4	11	160	125	26
250	324	289	100	257	154	68	50	233	237	30	22	F12	125	4	13.5	160	125	40
300	381	330	100	298	208	78	50	278	284	30	22	F12	125	4	13.5	200	160	60

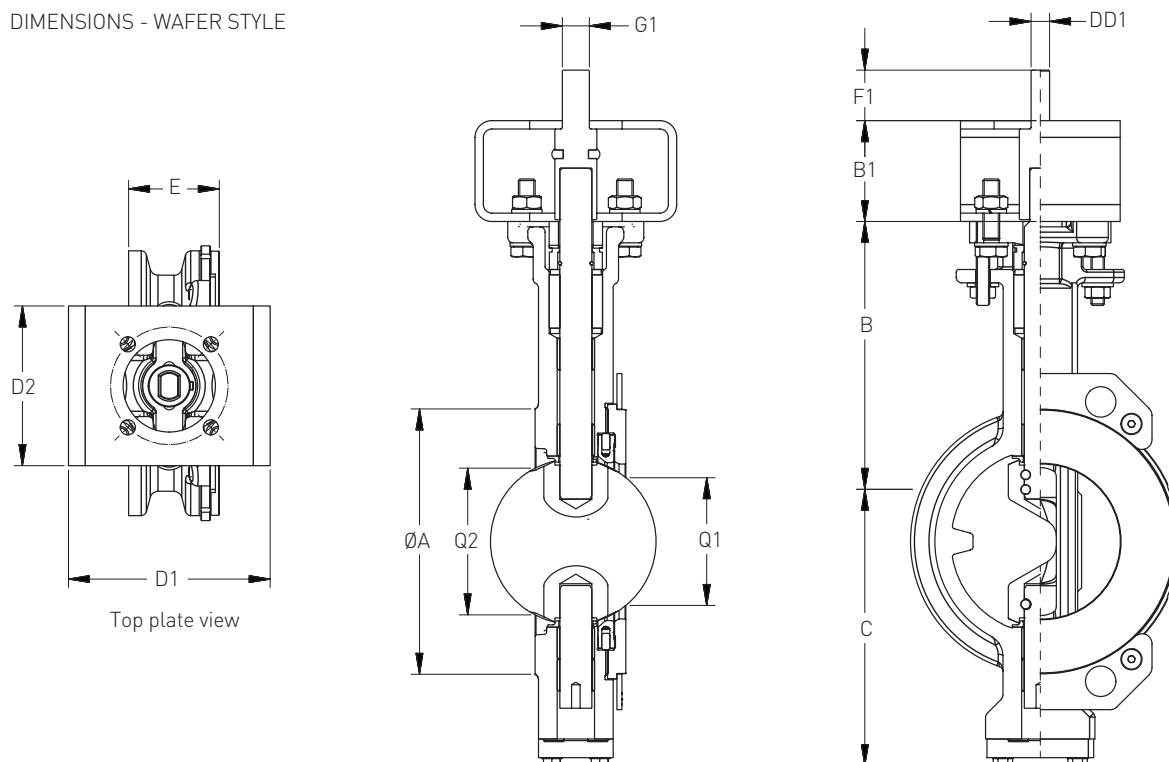
SERIES 37, PN 25/40, WAFER STYLE, DIMENSIONS (mm)

Size	Shaft dimensions										Top plate data							Mass
DN	A	B	B1	C	D	E	F1	Q1	Q2	G1	DD1 or keyway	ISO flange type	PCD	No. holes	Hole dia.	D1	D2	kg
50	110	152	60	108	102	60	30	30	43	14	9.5	F07	70	4	9	110	85	8
65	105	152	60	121	114	46	30	51	54	14	9.5	F07	70	4	9	110	85	7
80	127	168	60	129	124	46	30	53	64	16	11	F07	70	4	9	110	85	8
100	157	191	60	141	133	52	30	82	90	20	14	F07	70	4	9	110	85	11
125	186	192	80	154	146	56	30	109	121	20	14	F10	102	4	11	130	100	13
150	216	222	80	186	179	56	50	135	140	25	18	F10	102	4	11	160	125	18
200	270	257	100	217	211	71	50	171	186	30	22	F12	125	4	13.5	160	125	31
250	324	289	100	257	244	76	70	228	236	35	10x8x50	F12	125	4	13.5	160	125	49
300	381	330	100	298	287	83	70	275	284	40	12x8x56	F14	140	4	17.5	210	160	65

KEYSTONE K-LOK® HIGH PERFORMANCE BUTTERFLY VALVES

SERIES 36 AND 37 - ISO

DIMENSIONS - WAFER STYLE



SERIES 36, ASME CLASS 150, WAFER STYLE, DIMENSIONS (mm)

Size	Shaft dimensions										Top plate data						Mass	
DN	A	B	B1	C	D	E	F1	Q1	Q2	G1	DD1 or keyway	ISO flange type	PCD	No. holes	Hole dia.	D1	D2	kg
50	110	152	60	108	105	60	30	30	43	12	8	F07	70	4	9	110	85	8
65	105	152	60	121	105	48	30	51	54	12	8	F07	70	4	9	110	85	7
80	127	168	60	129	105	48	30	53	64	16	11	F07	70	4	9	110	85	8
100	157	191	60	141	105	54	30	82	90	16	11	F07	70	4	9	110	85	11
125	186	192	60	154	105	57	30	111	120	20	14	F07	70	4	9	110	85	13
150	216	222	60	186	154	57	30	135	140	20	14	F07	70	4	9	140	120	18
200	270	257	80	217	154	64	50	179	186	25	18	F10	102	4	11	160	125	26
250	324	289	100	257	154	71	50	231	236	30	22	F12	125	4	13.5	160	125	40
300	381	330	100	298	208	81	50	278	284	30	22	F12	125	4	13.5	200	160	60

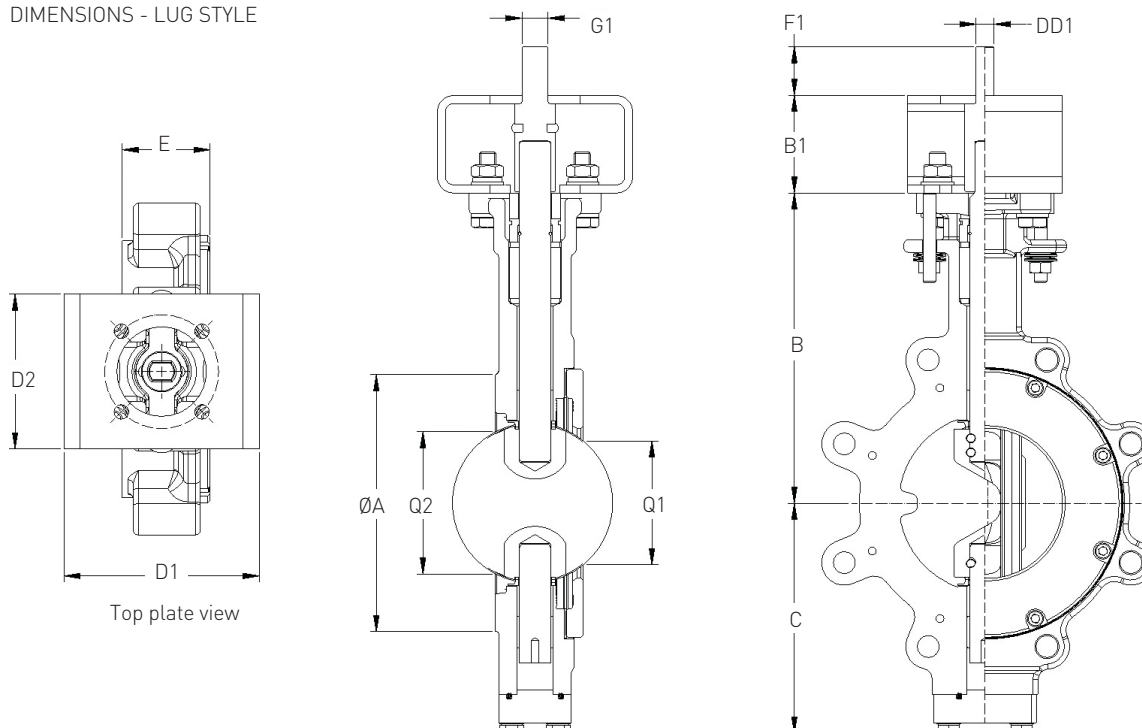
SERIES 37, ASME CLASS 300, WAFER STYLE, DIMENSIONS (mm)

Size	Shaft dimensions										Top plate data						Mass	
DN	A	B	B1	C	D	E	F1	Q1	Q2	G1	DD1 or keyway	ISO flange type	PCD	No. holes	Hole dia.	D1	D2	kg
50	110	152	60	108	102	60	30	30	43	14	9.5	F07	70	4	9	110	85	8
65	105	152	60	121	114	48	30	51	54	14	9.5	F07	70	4	9	110	85	7
80	127	168	60	129	124	48	30	53	64	16	11	F07	70	4	9	110	85	8
100	157	191	60	141	133	54	30	82	90	20	14	F07	70	4	9	110	85	11
125	186	192	80	154	146	59	30	109	119	20	14	F10	102	4	11	130	100	13
150	216	222	80	186	179	59	50	135	140	25	18	F10	102	4	11	160	125	18
200	270	257	100	217	211	73	50	171	186	30	22	F12	125	4	13.5	160	125	31
250	324	289	100	257	244	83	70	224	236	35	10x8x50	F12	125	4	13.5	160	125	49
300	381	330	100	298	287	92	70	269	284	40	12x8x56	F14	140	4	17.5	210	160	67

KEYSTONE K-LOK® HIGH PERFORMANCE BUTTERFLY VALVES

SERIES 36 AND 37 - ISO

DIMENSIONS - LUG STYLE



SERIES 36, PN 10/16, LUG STYLE, DIMENSIONS (mm)

Size DN	Shaft dimensions									Top plate data						Mass kg	
	A	B	B1	C	E	F1	Q1	Q2	G1	DD1 or keyway	ISO flange type	PCD	No. holes	Hole dia.	D1		D2
50	113	152	60	108	60	30	30	43	12	8	F07	70	4	9	110	85	8
65	122	152	60	117	46	30	53	54	12	8	F07	70	4	9	110	85	10
80	135	168	60	125	46	30	56	62	16	11	F07	70	4	9	110	85	11
100	157	191	60	141	52	30	82	90	16	11	F07	70	4	9	110	85	13
125	186	192	60	154	56	30	111	120	20	14	F07	70	4	9	110	85	17
150	216	222	60	157	56	30	134	140	20	14	F07	70	4	9	140	120	21
200	267	257	80	217	60	50	181	187	25	18	F10	102	4	11	160	125	32
250	324	289	100	257	68	50	233	237	30	22	F12	125	4	13.5	160	125	45
300	381	330	100	282	78	50	278	284	30	22	F12	125	4	13.5	200	160	73

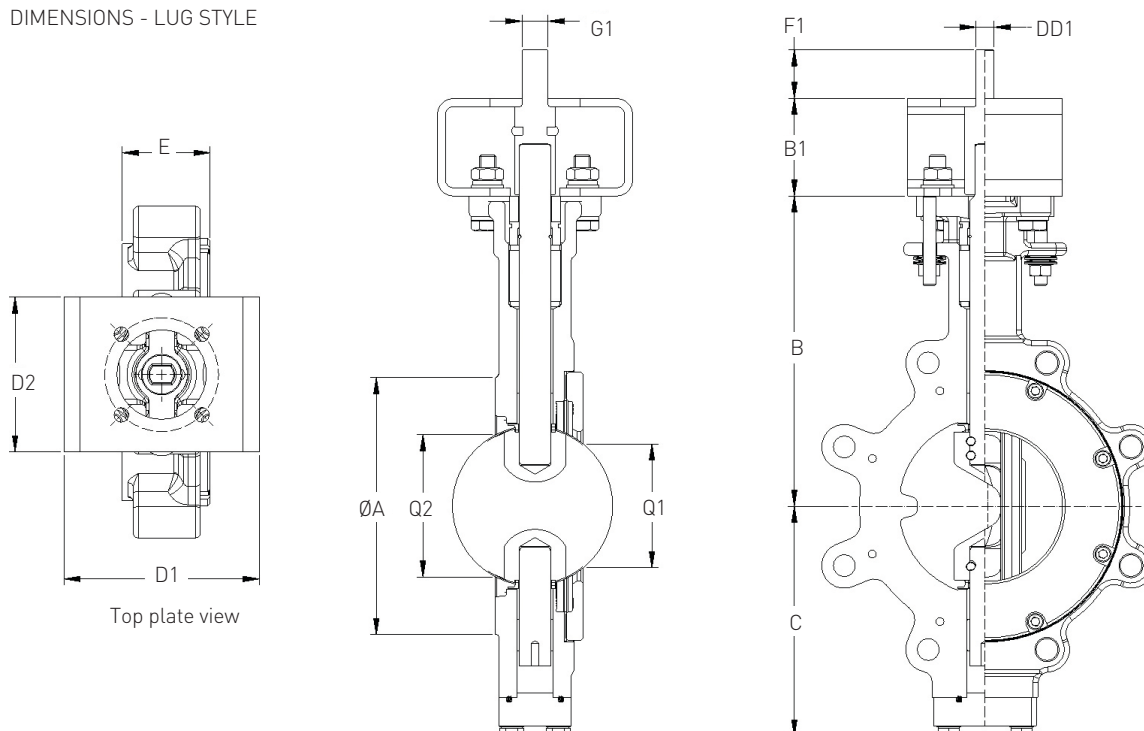
SERIES 37, PN 25/40, LUG STYLE, DIMENSIONS (mm)

Size DN	Shaft dimensions									Top plate data						Mass kg	
	A	B	B1	C	E	F1	Q1	Q2	G1	DD1 or keyway	ISO flange type	PCD	No. holes	Hole dia.	D1		D2
50	113	152	60	108	60	30	30	43	14	9.5	F07	70	4	9	110	85	8
65	122	152	60	117	46	30	53	54	14	9.5	F07	70	4	9	110	85	10
80	135	168	60	125	46	30	56	62	16	11	F07	70	4	9	110	85	11
100	165	191	60	141	52	30	82	90	20	14	F07	70	4	9	110	85	14
125	186	192	80	154	56	30	109	121	20	14	F10	102	4	11	130	100	19
150	215	222	80	182	56	50	134	140	25	18	F10	102	4	11	160	125	24
200	275	257	100	217	71	50	171	186	30	22	F12	125	4	13.5	160	125	41
250	324	289	100	257	76	70	228	235	35	10x8x50	F12	125	4	13.5	160	125	60
300	381	330	100	295	83	70	275	284	40	12x8x56	F14	140	4	17.5	210	160	88

KEYSTONE K-LOK® HIGH PERFORMANCE BUTTERFLY VALVES

SERIES 36 AND 37 - ISO

DIMENSIONS - LUG STYLE



SERIES 36, ASME CLASS 150, LUG STYLE, DIMENSIONS (mm)

Size DN	Shaft dimensions									Top plate data						Mass kg	
	A	B	B1	C	E	F1	Q1	Q2	G1	DD1 or keyway	ISO flange type	PCD	No. holes	Hole dia.	D1		D2
50	113	152	60	108	60	30	30	43	12	8	F07	70	4	9	110	85	8
65	121	152	60	117	48	30	46	59	12	8	F07	70	4	9	110	85	7
80	134	168	60	133	48	30	48	67	16	11	F07	70	4	9	110	85	10
100	164	191	60	141	54	30	82	90	16	11	F07	70	4	9	110	85	13
125	193	192	60	154	57	30	111	120	20	14	F07	70	4	9	110	85	17
150	225	222	60	157	57	30	134	140	20	14	F07	70	4	9	140	120	21
200	270	257	80	217	64	50	179	186	25	18	F10	102	4	11	160	125	32
250	324	289	100	257	71	50	233	236	30	22	F12	125	4	13.5	160	125	45
300	381	330	100	282	81	50	278	284	30	22	F12	125	4	13.5	200	160	73

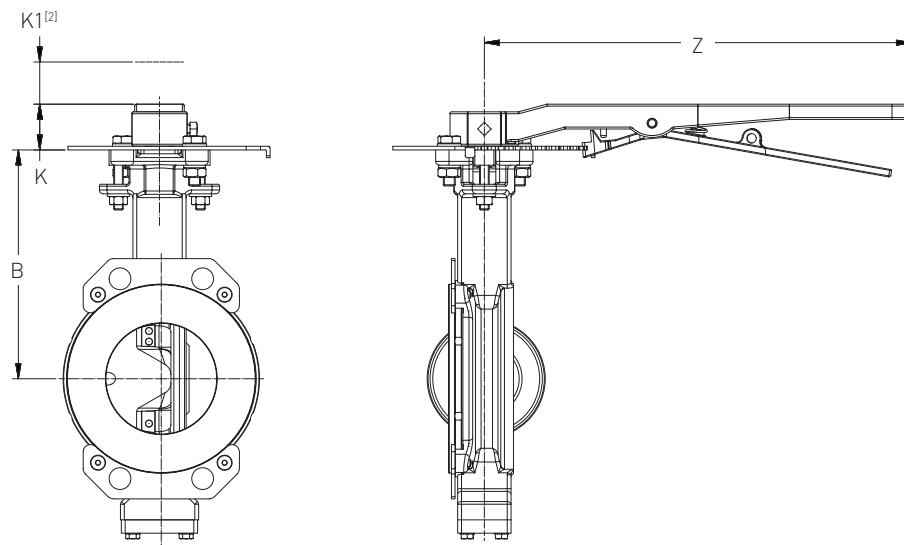
SERIES 37, ASME CLASS 300, LUG STYLE, DIMENSIONS (mm)

Size DN	Shaft dimensions									Top plate data						Mass kg	
	A	B	B1	C	E	F1	Q1	Q2	G1	DD1 or keyway	ISO flange type	PCD	No. holes	Hole dia.	D1		D2
50	113	152	60	108	60	30	30	43	14	9.5	F07	70	4	9	110	85	9
65	122	152	60	117	48	30	53	54	14	9.5	F07	70	4	9	110	85	10
80	135	168	60	125	48	30	56	62	16	11	F07	70	4	9	110	85	11
100	165	191	60	141	54	30	82	90	20	14	F07	70	4	9	110	85	14
125	194	192	80	154	59	30	109	120	20	14	F10	102	4	11	130	100	19
150	226	222	80	182	59	50	133	142	25	18	F10	102	4	11	160	125	24
200	283	257	100	217	73	50	171	186	30	22	F12	125	4	13.5	160	125	41
250	324	289	100	257	83	70	224	236	35	10x8x50	F12	125	4	13.5	160	125	60
300	381	330	100	295	92	70	269	284	40	12x8x56	F14	140	4	17.5	210	160	88

KEYSTONE K-LOK® HIGH PERFORMANCE BUTTERFLY VALVES

SERIES 36 AND 37 - ISO

DIMENSIONS - WAFER STYLE WITH HANDLE



DIMENSIONS (mm) - SERIES 36, PN 10/16, ASME 150 WAFER STYLE WITH HANDLE

Size DN	Actuation Code	C	K	K1	Z	Mass (valve + handle)
50	BAB	152	38	38	267	5.7
65	BAB	152	38	38	267	4.7
80	BAC	168	38	38	267	5.7
100	BAD	191	38	38	267	8.7
125	BAD	192	38	38	267	10.7
150	CAD	222	38	38	356	15.0

DIMENSIONS (mm) - SERIES 37, PN 25/40, ASME 300 WAFER STYLE WITH HANDLE

Size DN (NPS)	K-LOK Topplate code	C	K	K1	Z	Mass (valve + handle)
50	BAB	152	38	38	267	5.7
65	BAB	152	38	38	267	4.7
80	BAC	168	38	38	267	5.7
100	BAD	191	38	38	267	8.7
125	BAD	192	38	38	267	10.7
150	CAD	222	38	38	356	15.0

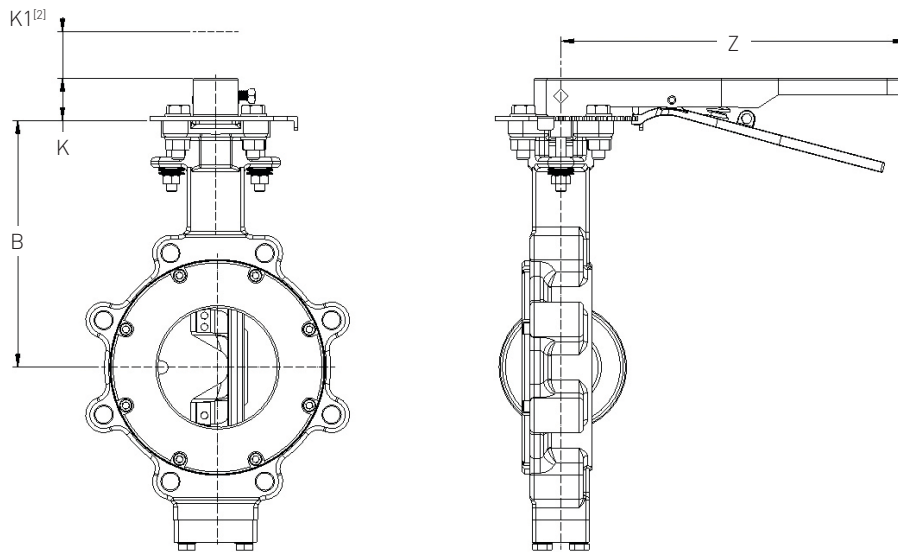
NOTES

1. Refer to individual drawing for further details of valve and handle.
2. Minimum clearance required for removal of handle.
3. Handles are not recommended on valve larger than DN 100. If used on valves larger than DN 100, pressure should be 10 bar or less.

KEYSTONE K-LOK® HIGH PERFORMANCE BUTTERFLY VALVES

SERIES 36 AND 37 - ISO

DIMENSIONS - LUG STYLE WITH HANDLE



DIMENSIONS (mm) - SERIES 36, PN 10/16, ASME 150 LUG STYLE WITH HANDLE

Size DN	Actuation Code	C	K	K1	Z	Mass (valve + handle)
50	BAB	152	38	38	267	6.5
65	BAB	152	38	38	267	8.5
80	BAC	168	38	38	267	9.5
100	BAD	191	38	38	267	11.5
125	BAD	192	38	38	267	15.5
150	CAD	222	38	38	356	18.8

DIMENSIONS (mm) - SERIES 37, PN 25/40, ASME 300 LUG STYLE WITH HANDLE

Size DN (NPS)	K-LOK Topplate code	C	K	K1	Z	Mass (valve + handle)
50	BAB	152	38	38	267	6.5
65	BAB	152	38	38	267	8.5
80	BAC	168	38	38	267	9.5
100	BAD	191	38	38	267	12.5
125	BAD	192	38	38	267	16.7
150	CAD	222	38	38	356	22.1

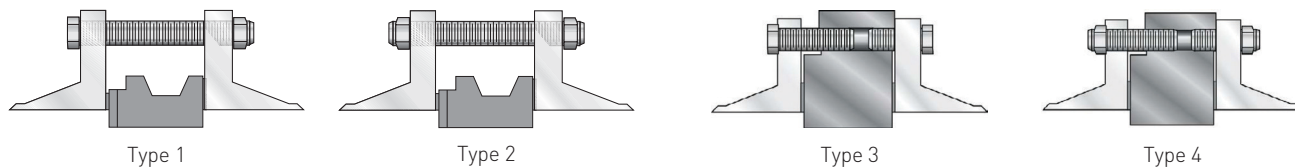
NOTES

1. Refer to individual drawing for further details of valve and handle.
2. Minimum clearance required for removal of handle.
3. Handles are not recommended on valve larger than DN 100. If used on valves larger than DN 100, pressure should be 10 bar or less.

KEYSTONE K-LOK® HIGH PERFORMANCE BUTTERFLY VALVES

SERIES 36 AND 37 - ISO

RECOMMENDED FLANGE BOLT LENGTHS



SERIES 36, PN 10/16 (mm)

WAFER STYLE

Size DN	Flange drilling	Qty	Bolt size	Bolt type 1 ^[1]	Stud type 2 ^[2]
50	PN 10 (PN 16)	4	M16	125	145
65	PN 10 (PN 16)	4	M16	110	130
80	PN 10 (PN 16)	8	M16	115	135
100	PN 10 (PN 16)	8	M16	120	140
125	PN 10 (PN 16)	8	M16	130	150
150	PN 10 (PN 16)	8	M20	135	160
200	PN 10	8	M20	140	165
250	PN 10	12	M20	155	180
300	PN 10	12	M20	165	190
200	PN 16	12	M20	150	170
250	PN 16	12	M24	165	180
300	PN 16	12	M24	170	195

LUG STYLE

Size DN	Flange drilling	Qty	Bolt size	Stud type 3	Bolt type 4
50	PN10 (PN16)	8	M16	70	50
65	PN10 (PN16)	16	M16	60	40
80	PN10 (PN16)	16	M16	70	45
100	PN10 (PN16)	16	M16	70	45
125	PN10 (PN16)	16	M16	70	50
150	PN10 (PN16)	16	M20	75	50
200	PN10	16	M20	80	55
250	PN10	24	M20	85	60
300	PN10	24	M20	90	65
200	PN16	24	M20	80	55
250	PN16	24	M24	95	60
300	PN16	24	M24	100	65

SERIES 37, PN 25/40 (mm)

WAFER STYLE

Size DN	Flange drilling	Qty	Bolt size	Bolt type 1 ^[1]	Stud type 2 ^[2]
50	PN 25 (PN 40)	4	M16	130	150
65	PN 25 (PN 40)	8	M16	120	140
80	PN 25 (PN 40)	8	M16	125	145
100	PN 25 (PN 40)	8	M20	135	160
125	PN 25 (PN 40)	8	M24	145	175
150	PN 25 (PN 40)	8	M24	150	180
200	PN 25	12	M24	170	200
250	PN 25	12	M27	180	215
300	PN 25	16	M27	190	225
200	PN 40	12	M27	180	215
250	PN 40	12	M30	195	230
300	PN 40	16	M30	210	245

LUG STYLE

Size DN	Flange drilling	Qty	Bolt size	Stud type 3	Bolt type 4
50	PN25 (PN40)	8	M16	70	50
65	PN25 (PN40)	16	M16	65	45
80	PN25 (PN40)	16	M16	65	45
100	PN25 (PN40)	16	M20	78	50
125	PN25 (PN40)	16	M24	90	55
150	PN25 (PN40)	16	M24	100	55
200	PN25	24	M24	104	65
250	PN25	24	M27	110	70
300	PN25	32	M27	115	70
200	PN40	24	M27	115	70
250	PN40	24	M30	120	70
300	PN40	32	M30	120	80

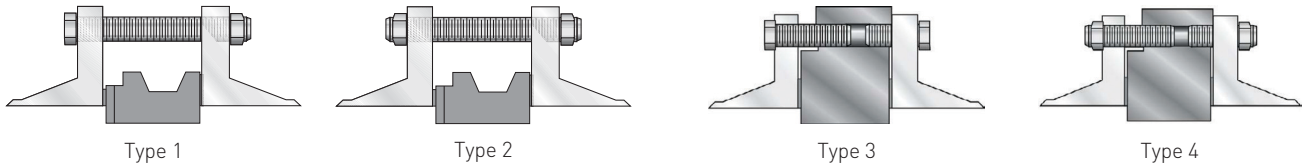
NOTES

1. Flange bolt (Hex head)
2. Threaded rod (all thread)
3. Bolt lengths have been calculated based on the use of nuts, no washers, and 1/8" thick flange gasket.

KEYSTONE K-LOK® HIGH PERFORMANCE BUTTERFLY VALVES

SERIES 36 AND 37 - ISO

RECOMMENDED FLANGE BOLT LENGTHS



SERIES 36, ASME CLASS 150 (mm)

WAFER STYLE

Size DN	Qty	Bolt type 1 ^[1]	Stud type 2 ^[2]
50	4	5/8 - 11UNC x 135	5/8 - 11UNC x 160
65	4	5/8 - 11UNC x 130	5/8 - 11UNC x 155
80	4	5/8 - 11UNC x 135	5/8 - 11UNC x 155
100	8	5/8 - 11UNC x 140	5/8 - 11UNC x 160
125	8	3/4 - 10UNC x 145	3/4 - 10UNC x 175
150	8	3/4 - 10UNC x 150	3/4 - 10UNC x 180
200	8	3/4 - 10UNC x 165	3/4 - 10UNC x 190
250	12	7/8 - 9UNC x 180	7/8 - 9UNC x 210
300	12	7/8 - 9UNC x 190	7/8 - 9UNC x 220

LUG STYLE

Size DN	Qty	Bolt size	Stud type 3	Bolt type 4	
				Seat side	Disc side
50	8	5/8 - 11UNC	73	51	
65	8	5/8 - 11UNC	67	44	
80	8	5/8 - 11UNC	67	44	
100	16	5/8 - 11UNC	70	51	
125	16	3/4 - 10UNC	76	51	
150	16 (8+8)	3/4 - 10UNC	83	57	51
200	16	3/4 - 10UNC	86	57	
250	24	7/8 - 9UNC	92	64	
300	24	7/8 - 9UNC	98	70	

SERIES 37, ASME CLASS 300 (mm)

WAFER STYLE

Size DN	Qty	Bolt type 1 ^[1]	Stud type 2 ^[2]
50	8	5/8 - 11UNC x 140	5/8 - 11UNC x 165
65	8	3/4 - 10UNC x 140	3/4 - 10UNC x 165
80	8	3/4 - 10UNC x 145	3/4 - 10UNC x 170
100	8	3/4 - 11UNC x 155	3/4 - 11UNC x 180
125	8	3/4 - 11UNC x 160	3/4 - 11UNC x 185
150	12	3/4 - 11UNC x 165	3/4 - 11UNC x 195
200	12	7/8 - 10UNC x 200	7/8 - 10UNC x 230
250	12	1 - 8UNC x 220	1 - 8UNC x 255
	8	1 - 8UNC x 85	1 - 8UNC x 121
300	16	1 1/8 - 8UN x 240	1 1/8 - 8UN x 275

LUG STYLE

Size DN	Qty	Bolt size	Stud type 3	Bolt type 4
50	16	5/8 - 11UNC	73	51
65	16	3/4 - 10UNC	76	51
80	16	3/4 - 10UNC	76	51
100	16	3/4 - 10UNC	83	57
125	16	3/4 - 10UNC	90	64
150	24	3/4 - 10UNC	92	64
200	24	7/8 - 9UNC	105	76
250	32	1 - 8UNC	121	89
300	32	1 1/8 - 8UN	130	95

NOTES

1. Flange bolt (Hex head)
2. Threaded rod (all thread)
3. Bolt lengths have been calculated based on the use of nuts, no washers, and 1/8" thick flange gasket.

KEYSTONE K-LOK® HIGH PERFORMANCE BUTTERFLY VALVES

SERIES 36 AND 37 - ISO

VACUUM RATING

The combination of interference fit seats and bi-directional packing makes the K-LOK® especially well suited for vacuum service.

Standard K-LOK® high performance valves are rated to an absolute pressure of 1.016×10^{-3} mm Hg. Higher vacuum applications are available.

K_v VALUES VS. TRAVEL POSITION

Size (DN)	Angle of opening								PN 10/16 ASME 150	PN 25/40 ASME 300
	10°	20°	30°	40°	50°	60°	70°	80°	90°	90°
50	5	9	16	29	44	67	91	116	141	138
65	5	9	16	29	46	69	96	128	151	147
80	7	10	21	37	58	86	120	160	190	185
100	14	20	38	69	112	167	232	310	366	356
125	26	38	72	128	209	315	434	580	685	677
150	43	60	112	198	319	474	655	871	1030	983
200	72	101	216	377	599	907	1290	1725	2103	1983
250	124	174	391	650	1021	1570	2251	3052	3913	3735
300	179	262	584	906	1401	2384	3308	4590	5961	5689

NOTES

K_v is the volume of water in m³/h that will pass through a valve with a pressure drop of 1 bar at 20°C.

KEYSTONE K-LOK® HIGH PERFORMANCE BUTTERFLY VALVES

SERIES 36 AND 37 - ISO

SEATING AND UN-SEATING TORQUE

Seating and un-seating torques are a function of the size of the valve and the shutoff pressure of the system.

Specific torque ratings can be found in the seating/un-seating chart at the intersection of the 'size' row and the 'shutoff pressure' column.

Torques listed are for PTFE and RTFE seated valves. For different seat materials, specific multipliers are to be used as stated.

All torques listed are for normal service conditions (i.e. operating frequency is a minimum of once per month; disc corrosion is expected to be mild or minor, the media is a clean gas, liquid or steam, and is non-abrasive) and chemical effects upon the seat are minor.

PTFE AND RTFE BI-DIRECTIONAL SEATING AND UN-SEATING TORQUE VALUES

Size (DN)	Seating and un-seating torque (Nm)						
	System shutoff pressure (bar)						
	10	14	20	28	35	40	50
50	25	32	43	52	59	61	66
65	25	32	43	52	59	61	66
80	28	36	49	59	67	69	73
100	54	68	93	112	127	131	140
125	105	127	153	177	198	204	215
150	155	181	209	243	270	289	328
200	233	263	362	454	550	600	759
250	377	412	531	706	842	937	1113
300	519	593	723	922	1095	1217	1462

NOTES

1. Torques shown are based on noncorrosive or non-abrasive services such as water.
2. For corrosive, abrasive or other services than water, multiply by the following factor:
 - High solids slurry: x 1.5
 - Dry gas: x 2.0
 - Dry powders: x 2.7
 - Liquids other than water: x 1.2
 - Lubricating fluids: x 0.8For services that combine unfriendly conditions such as extreme temperatures and high solids, or corrosive with high temperatures, contact your sales representative.

KEYSTONE K-LOK® HIGH PERFORMANCE BUTTERFLY VALVES

SERIES 36 AND 37 - ISO

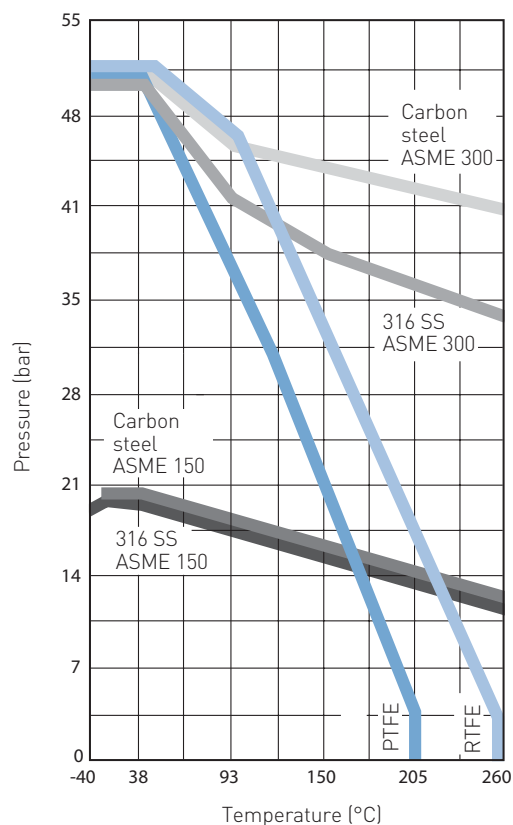
PRESSURE/TEMPERATURE RATINGS FOR BODIES, DISCS AND SEATS

Pressure (bar)	Temperature (°C)															
	-40*	-29	-18	38	82	93	121	149	204	232	260	316	371	425	482	538
ASME Class 150 Body (Series 36)																
Carbon Steel	N/A	19.6	19.6	19.6	18.2	17.9	16.9	15.8	13.7	12.7	11.7	9.6	7.6	5.5	N/A	N/A
Stainless Steel	19.0	19	19	19	17	16.5	15.6	14.8	13.6	12.7	11.7	9.6	7.6	5.5	3.4	1.4
ASME Class 300 Body (Series 37)																
Carbon Steel	N/A	51.1	51.1	51.1	47.9	47.1	46	45.1	44.8	43.1	41.5	39.1	36.6	28.8	N/A	N/A
Stainless Steel	49.6	49.6	49.6	49.6	44.3	43	40.4	38.1	35.5	34.2	33	31.2	30	29.1	28.6	25.2
ASME Class 150 Disc																
Stainless Steel	19.0	19	19	19	17	16.5	15.6	14.8	13.6	12.7	11.7	9.6	7.6	5.5	3.4	1.4
ASME Class 300 Disc																
Stainless Steel	49.6	49.6	49.6	49.6	44.3	43	40.4	38.1	35.5	34.2	33	31.2	30	29.1	28.6	25.2
K-LOK Seats																
	NOTE: Seats ratings are independent from Body Ratings															
Teflon (TFE)	51.1	51.1	51.1	51.1	41.1	39	31	22.4	3.4	N/A	N/A	N/A	N/A	N/A	N/A	N/A
Reinforce TFE (RTFE)	51.1	51.1	51.1	51.1	48.3	46.9	37.9	31	15.5	6.9	3.4	N/A	N/A	N/A	N/A	N/A

NOTE: * -29°C is the limit for the scope of ASME B16.34

PRESSURE/TEMPERATURE RATINGS FOR SEAT MATERIALS

POLYMER SEATS



KEYSTONE K-LOK® HIGH PERFORMANCE BUTTERFLY VALVES

SERIES 36 AND 37 - ISO

SELECTION GUIDE

Example:	36	0100	W0	PB	00	A1	CQ	SQ0	KB	R1	PG	SA	I	B	FE1 PED
Series															
36	K-LOK Series 36														
37	K-LOK Series 37														
Size															
0050	DN 50	0150	DN 150												
0065	DN 65	0200	DN 200												
0080	DN 80	0250	DN 250												
0100	DN 100	0300	DN 300												
0125	DN 125														
Body style															
W0	Wafer														
L0	Lug ^[1]														
Flange drilling															
A1	ASME 150	P5	PN 25												
A2	ASME 300	P6	PN 40												
P2	PN 10	PB	PN 10/16												
P3	PN 16	PG	PN 25/40												
Face to face															
00	Standard														
Pressure rating															
A1	ASME 150	A2	ASME 300												
Body material															
CQ	CS ASTM A216 WCB/EN 1.0619														
SQ	316SS ASTM A351 CF8M/EN 1.4408														
Disc material															
SQ0	316SS ASTM A351 CF8M/EN 1.4408														
Shaft material															
KB	17-4pPH Stainless Steel														
Seat/backing ring															
R1	RTFE/SS	TB	PTFE/SS												
Packing and gaskets															
PG	PTFE, Graphite														
Bearings ^[3]															
SA	316SS/TFE/BRZ														
Actuator mounting															
I	ISO Mount														
Actuation															
B	Bare Valve														
Special code															
FE1	Fugitive emissions EN 15848 certified				PED	PED/CE									

NOTES

- All lug valves have bolted seat retaining rings for full rated bi-directional dead end service

FLANGE DRILLING CODES

Size	Series 36 wafer/lug				Series 37 wafer/lug			
	NPS	DN	PN 10	PN 16	ASME 150	PN 25	PN 40	ASME 300
2	50		PB	PB	A1	PG	PG	A2
2.5	65		PB	PB	A1	PG	PG	A2
3	80		PB	PB	A1	PG	PG	A2
4	100		PB	PB	A1	PG	PG	A2
5	125		PB	PB	A1	PG	PG	A2
6	150		PB	PB	A1	PG	PG	A2
8	200		P2	P3	A1	P5	P6	A2
10	250		P2	P3	A1	P5	P6	A2
12	300		P2	P3	A1	P5	P6	A2

© 2011, 2020 Emerson Electric Co. All rights reserved 11/20. Keystone is a mark owned by one of the companies in the Emerson Automation Solutions business unit of Emerson Electric Co. The Emerson logo is a trademark and service mark of Emerson Electric Co. All other marks are the property of their prospective owners.

The contents of this publication are presented for informational purposes only, and while every effort has been made to ensure their accuracy, they are not to be construed as warranties or guarantees, express or implied, regarding the products or services described herein or their use or applicability. All sales are governed by our terms and conditions, which are available upon request. We reserve the right to modify or improve the designs or specifications of such products at any time without notice.

Emerson Electric Co. does not assume responsibility for the selection, use or maintenance of any product. Responsibility for proper selection, use and maintenance of any Emerson Electric Co. product remains solely with the purchaser.

Emerson.com/FinalControl