

Bettis CBA300 Series

Pneumatic Actuators



This page intentionally left blank.

Table of Contents

Section 1: Introduction	
Introduction.....	5
Section 2: Torque Ratings	
Double-Acting Actuators.....	6
Spring-Return Actuators.....	7
Section 3: Performance Data	
Double-Acting Actuators.....	9
Spring-Return Actuators.....	9
Section 4: Dimensions (mm)	
Double-Acting Actuators - CBAX30.....	10
Spring-Return Actuators - CBAX30-SRX.....	12
Section 5: Dimensions (mm) - M3 (HW) Override	
Double-Acting Actuators - CBAX30-M3 (HW)	13
Spring-Return Actuators - CBAX30-SRX-M3 (HW)	14
Section 6: Dimensions (mm) - Hydraulic Override	
Double-Acting Actuators - CBAX30-M18	15
Spring-Return Actuators - CBAX30-SRX-M18	15
Double-Acting Actuators - CBAX30-M11	16
Spring-Return Actuators - CBAX30-SRX-M11	16

This page intentionally left blank.

Introduction

The Bettis™ CBA300 Series pneumatic actuators incorporate the most advanced features from a long history of developments in the scotch yoke design, assuring operating efficiency and cost-effectiveness. They are lightweight and compact, making them ideally suited for automating virtually any quarter-turn (90°) rotating mechanism, including ball, butterfly, and plug valves. They are economical and require little maintenance. They come with a variety of options to meet your demanding valve automation needs.

- Ductile iron or carbon steel housing and piston provide more strength per pound, increased durability and corrosion resistance. The pressure vessel quality housing is approved for use by ASME and the Pressure Equipment Directive (PED) 2014/68/EU.
- Increased actuator efficiency and corrosion resistance is possible with a Xylan® fluoropolymer coating on the interior of the power cylinder. This permanently bonded coating is highly resistant to abrasion, thermal shock and provides excellent lubricity and low friction properties.
- The CBA300 Series actuators meet both IP66 and IP67M specifications for submergence and severe high pressure water deluge test. This offers superior water ingress and corrosion protection. The actuator has no gaskets and is totally O-ring sealed.
- The scotch yoke design provides optimum torque curves for quarter-turn operation.
- Its light weight assists in easy installation while its compactness allows use in tight piping configurations.
- Jackscrew and hydraulic override options.
- 5-year warranty.
- Its NAMUR topworks mounting configuration allows the CBA300 Series to be internationally accepted and promotes the ability to utilize standardized accessories that can be close coupled or direct mounted to the valve.
- Suitable for SIL 1, 2 or 3.
- The CBA300 Series provides models in both spring-return and double-acting configurations. They have guaranteed minimum torque outputs ranging from 879 to 2303 Nm in double-acting models. Spring-return models, requiring pressure from only one travel direction, are available for fail clockwise or counterclockwise applications. The spring ending torques range from 259 to 1133 Nm.

Torque Ratings

Double-Acting Actuators

CBA300 Series

All published torques are guaranteed minimum values (units are metric).

Table 1.

Actuator Model	Stroke Direction Start/Minimum/End		Operating Pressure (barg)															MinOP (barg)	Torque @ MinOP (Nm)	MOP (barg)	Torque @ MOP (Nm)			
			2.5	3	3.5	3.8	4	4.5	5	5.2	5.5	6	6.2	6.5	7	7.2	7.5					8	8.2	
			Pressure Torque Output Start/Minimum/End (Nm)																					
CBA730	Start	Outboard	Please consult factory	884	1039	1132	1194	1349	1505	1567	1660	1815	1877	1970	2125	2187	Exceeds MOP	-	-	2.8	822	7.2	2187	
	Minimum			470	551	599	632	713	794	826	875	956	988	1037	1118	1150		-	-		437		1150	
	End			899	1054	1147	1209	1364	1519	1581	1674	1829	1891	1984	2139	2201		-	-		837		2201	
	Start	Inboard		879	1033	1125	1187	1341	1495	1557	1650	1804	1866	1958	2112	2174		-	-		817		2174	
	Minimum			470	551	599	632	713	794	826	875	956	988	1037	1118	1150		-	-		437		1150	
	End			904	1060	1154	1216	1372	1528	1590	1684	1840	1902	1996	2152	2214		-	-		842		2214	
CBA830	Start	Outboard	Please consult factory	1170	1374	1496	1578	1782	1986	2067	2189	Exceeds MOP	-	-	-	-	-	-	-	-	2.8	1089	5.5	2189
	Minimum			620	726	790	833	939	1045	1088	1152		-	-	-	-	-	-	-	-		577		1152
	End			1186	1390	1512	1593	1797	2001	2082	2204		-	-	-	-	-	-	-	-		1105		2204
	Start	Inboard		1163	1366	1487	1568	1771	1974	2055	2176		-	-	-	-	-	-	-	-		1082		2176
	Minimum			620	726	790	833	939	1045	1088	1152		-	-	-	-	-	-	-	-		577		1152
	End			1194	1398	1521	1603	1808	2013	2095	2218		-	-	-	-	-	-	-	-		1112		2218
CBA930	Start	Outboard	Please consult factory	1496	1755	1910	2014	2273	Exceeds MOP	-	-	-	-	-	-	-	-	-	-	2.8	1392	4.5	2273	
	Minimum			790	926	1007	1061	1196		-	-	-	-	-	-	-	-	-	-		736		1196	
	End			1513	1771	1927	2030	2289		-	-	-	-	-	-	-	-	-	-		1409		2289	
	Start	Inboard		1487	1744	1898	2001	2259		-	-	-	-	-	-	-	-	-	-		1384		2259	
	Minimum			790	926	1007	1061	1196		-	-	-	-	-	-	-	-	-	-		736		1196	
	End			1522	1782	1938	2042	2303		-	-	-	-	-	-	-	-	-	-		1418		2303	
CBA1030	Start	Outboard	Please consult factory	1989	Exceeds MOP	-	-	-	-	-	-	-	-	-	-	-	-	-	2.8	1852	3.4	2263		
	Minimum			1049		-	-	-	-	-	-	-	-	-	-	-	-	-		-		977	1192	
	End			2007		-	-	-	-	-	-	-	-	-	-	-	-	-		-		1871	2281	
	Start	Inboard		1977		-	-	-	-	-	-	-	-	-	-	-	-	-		-		1841	2249	
	Minimum			1049		-	-	-	-	-	-	-	-	-	-	-	-	-		-		977	1192	
	End			2020		-	-	-	-	-	-	-	-	-	-	-	-	-		-		1882	2295	

Spring-Return Actuators

CBA300 Series

All published torques are guaranteed minimum values (units are metric).

Table 2.

Actuator Model	Stroke Direction Start/Minimum/End	Operating Pressure (barg)																	MinOP (barg)	Torque @ MinOP (Nm)	MOP (barg)	Torque @ MOP (Nm)		
		2.5	3	3.5	3.8	4	4.5	5	5.5	6	7	7.5	8.5	9	10	10.5	11	11.5						
		Pressure Torque Output Start/Minimum/End (Nm)																						
CBA730-SR40	Start	459	385	531	677	765	823	969	1115	1260	1406	1698	1844	2136	2282	Exceeds MOP	-	-	-	2.4	356	9.3	2370	
	Minimum	187	150	228	306	352	383	460	537	614	691	844	921	1074	1151		-	-	-		134		1197	
	End	259	192	339	487	575	634	782	929	1077	1224	1519	1667	1962	2110		-	-	-		162		2198	
CBA730-SR60	Start	724	-	-	Please consult factory	631	689	835	981	1127	1273	1565	1711	2003	2149	Exceeds MOP	-	-	-	3.6	573	9.7	2353	
	Minimum	287	-	-		241	273	352	429	507	584	738	815	969	1046		-	-	-		209		1153	
	End	393	-	-		309	368	516	663	811	958	1254	1401	1696	1844		-	-	-		250		2050	
CBA730-SR80	Start	1022	-	-	-	-	-	Please consult factory	885	1031	1177	1469	1615	1906	2052	2344	Exceeds MOP	-	-	-	5.0	885	10.0	2344
	Minimum	382	-	-	-	-	-		313	394	473	629	707	862	939	1093		-	-	-		313		1093
	End	489	-	-	-	-	-		365	513	660	955	1103	1398	1545	1841		-	-	-		365		1841
CBA730-SR100	Start	1282	-	-	-	-	-	-	-	-	Please consult factory	1338	1484	1776	1922	2214	Exceeds MOP	-	-	-	6.2	1104	10.3	2301
	Minimum	481	-	-	-	-	-	-	-	-		519	598	755	832	987		-	-	-		390		1034
	End	620	-	-	-	-	-	-	-	-		694	841	1136	1284	1579		-	-	-		458		1668
CBA830-SR40	Start	609	517	708	900	1015	1092	1283	1475	1667	1858	2242	Exceeds MOP	-	-	-	-	-	-	2.4	478	7.2	2318	
	Minimum	248	201	304	406	467	508	609	710	811	911	1113		-	-	-	-	-	-		180		1153	
	End	346	261	454	648	764	842	1036	1229	1423	1617	2004		-	-	-	-	-	-		222		2082	
CBA830-SR60	Start	989	-	-	Please consult factory	876	952	1144	1336	1527	1719	2102	2294	Exceeds MOP	-	-	-	-	-	-	3.7	837	7.6	2333
	Minimum	375	-	-		318	360	465	567	669	771	974	1075		-	-	-	-	-	-		296		1095
	End	486	-	-		384	461	655	849	1043	1236	1624	1818		-	-	-	-	-	-		345		1856
CBA830-SR80	Start	1357	-	-	-	-	-	Please consult factory	1184	1376	1568	1951	2143	Exceeds MOP	-	-	-	-	-	-	5.0	1184	7.9	2296
	Minimum	503	-	-	-	-	-		414	521	625	831	933		-	-	-	-	-	-		414		1014
	End	637	-	-	-	-	-		479	673	867	1254	1448		-	-	-	-	-	-		479		1603
CBA830-SR100	Start	1737	-	-	-	-	-	-	-	-	Please consult factory	1811	2003	Exceeds MOP	-	-	-	-	-	-	6.3	1543	8.3	2310
	Minimum	629	-	-	-	-	-	-	-	-		680	785		-	-	-	-	-	-		531		950
	End	777	-	-	-	-	-	-	-	-		874	1067		-	-	-	-	-	-		602		1377

Spring-Return Actuators

CBA300 Series

All published torques are guaranteed minimum values (units are metric).

Table 3.

Actuator Model	Stroke Direction Start/Minimum/End	Operating Pressure (barg)																	MinOP (barg)	Torque @ MinOP (Nm)	MOP (barg)	Torque @ MOP (Nm)			
		2.5	3	3.5	3.8	4	4.5	5	5.5	6	7	7.5	8.5	9	10	10.5	11	11.5							
		Pressure Torque Output Start/Minimum/End (Nm)																							
CBA930-SR40	Start	783	666	910	1153	1300	1397	1641	1884	2128	Exceeds MOP	-	-	-	-	-	-	-	-	2.4	618	5.9	2323		
	Minimum	318	259	390	519	597	648	777	905	1033		-	-	-	-	-	-	-	-		-		232	1136	
	End	445	338	584	830	977	1076	1322	1568	1814		-	-	-	-	-	-	-	-		-		288	2011	
CBA930-SR60	Start	1290	-	-	Please consult factory	1156	1254	1497	1741	1985	2228	Exceeds MOP	-	-	-	-	-	-	-	-	3.8	1156	6.2	2326	
	Minimum	473	-	-		405	460	593	724	854	984		-	-	-	-	-	-	-	-		-		405	1035
	End	588	-	-		469	567	814	1060	1306	1552		-	-	-	-	-	-	-	-		-		469	1651
CBA930-SR80	Start	1736	-	-	-	-	-	Please consult factory	1523	1766	2010	Exceeds MOP	-	-	-	-	-	-	-	-	5.0	1523	6.6	2302	
	Minimum	640	-	-	-	-	-		531	666	799		-	-	-	-	-	-	-	-		-		531	956
	End	807	-	-	-	-	-		613	859	1105		-	-	-	-	-	-	-	-		-		613	1400
CBA930-SR100	Start	2184	-	-	-	-	-	-	-	-	Please consult factory	2275	Exceeds MOP	-	-	-	-	-	-	-	6.3	1933	7.2	2372	
	Minimum	809	-	-	-	-	-	-	-	-		870		-	-	-	-	-	-	-		-		682	923
	End	1030	-	-	-	-	-	-	-	-		1148		-	-	-	-	-	-	-		-		803	1247
CBA1030-SR40	Start	1053	902	1224	1546	1740	1868	2191	Exceeds MOP	-	-	-	-	-	-	-	-	-	-	-	2.4	838	4.8	2384	
	Minimum	423	346	520	691	794	862	1032		-	-	-	-	-	-	-	-	-	-	-		311		1133	
	End	587	449	774	1099	1295	1425	1750		-	-	-	-	-	-	-	-	-	-	-		383		1945	
CBA1030-SR60	Start	1733	-	-	Please consult factory	1573	1702	2024	2346	Exceeds MOP	-	-	-	-	-	-	-	-	-	-	3.8	1573	5.2	2475	
	Minimum	622	-	-		541	614	790	964		-	-	-	-	-	-	-	-	-	-		-		541	1033
	End	755	-	-		612	743	1068	1393		-	-	-	-	-	-	-	-	-	-		-		612	1524
CBA1030-SR80	Start	2261	-	-	-	-	-	Please consult factory	1968	2291	Exceeds MOP	-	-	-	-	-	-	-	-	-	4.9	1904	5.5	2291	
	Minimum	860	-	-	-	-	-		711	888		-	-	-	-	-	-	-	-	-		-		675	888
	End	1133	-	-	-	-	-		864	1189		-	-	-	-	-	-	-	-	-		-		799	1189

Performance Data

Double-Acting Actuators

CBA300 Series

All published torques are guaranteed minimum values (units are metric).

Table 4.

Actuator Model	Volume (cu. cm.) ▲		Maximum Operating Pressure (MOP)* (bar)	Maximum Allowable Working Pressure (MAWP)** (bar)	Approximate Weight of Actuator (kg)	
	Outboard	Inboard (Housing)			Ductile Iron Housing	Carbon Steel Housing
CBA730	4260.6	9209.5	7.2	13.8	50.9	53.2
CBA830	5588.0	10,373.0	5.5	13.8	56.7	58.9
CBA930	7095.6	11,683.9	4.5	12.0	62.9	65.1
CBA1030	9373.4	13,666.8	3.4	12.0	69.9	72.1

Spring-Return Actuators

CBA300 Series

All published torques are guaranteed minimum values (units are metric).

Table 5.

Actuator Model	Volume (cu. cm.) ▲	Maximum Operating Pressure (MOP)* (bar)	Maximum Allowable Working Pressure (MAWP)** (bar)	Approximate Weight of Actuator (kg)	
				Ductile Iron Housing	Carbon Steel Housing
CBA730-SR40	9209.5	9.3	13.8	61.6	64.3
CBA730-SR60	9209.5	9.7	13.8	62.6	65.3
CBA730-SR80	9209.5	10.0	13.8	63.6	66.3
CBA730-SR100	9209.5	10.3	13.8	64.0	66.8
CBA830-SR40	10,373.0	7.2	13.8	68.2	71.1
CBA830-SR60	10,373.0	7.6	13.8	70.1	72.9
CBA830-SR80	10,373.0	8.0	13.8	71.6	74.4
CBA830-SR100	10,373.0	8.3	13.8	73.5	76.3
CBA930-SR40	11,683.9	5.9	12.0	75.3	78.3
CBA930-SR60	11,683.9	6.2	12.0	78.2	81.1
CBA930-SR80	11,683.9	6.6	12.0	80.1	83.1
CBA930-SR100	11,683.9	7.2	12.0	83.6	86.6
CBA1030-SR40	13,666.8	4.8	12.0	85.0	88.1
CBA1030-SR60	13,666.8	5.2	12.0	87.3	90.4
CBA1030-SR80	13,666.8	5.5	12.0	90.8	93.9

NOTES:

▲ Maximum volume including cavity required for calculating consumption per stroke.

* **Maximum Operating Pressure (MOP)** is the pressure required to produce the maximum rated torque of the actuator.

** **Maximum Allowable Working Pressure (MAWP)** is the maximum static pressure that may be applied to a fully stroked actuator against the travel stops.

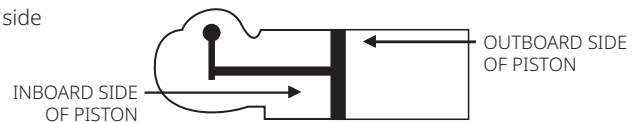
CBA-SRXX-M3/HW mechanical handwheel overrides are available on these models.

The override adds approximately 0.8 kg / 2 lb to the weight of the standard CB model.

Standard installation produces clockwise rotation when the outboard side of piston is pressurized.

Standard installation produces counterclockwise rotation when the inboard side of piston is pressurized.

Note: Actuator may be installed opposite of that shown.



Dimensions (mm)

Double-Acting Actuators - CBAX30

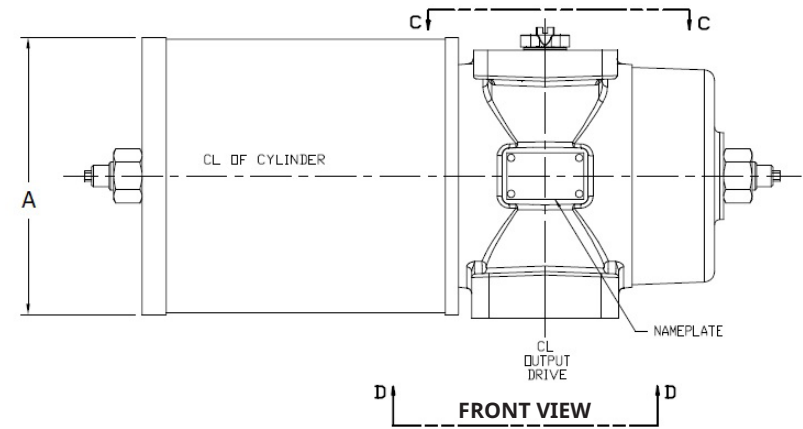
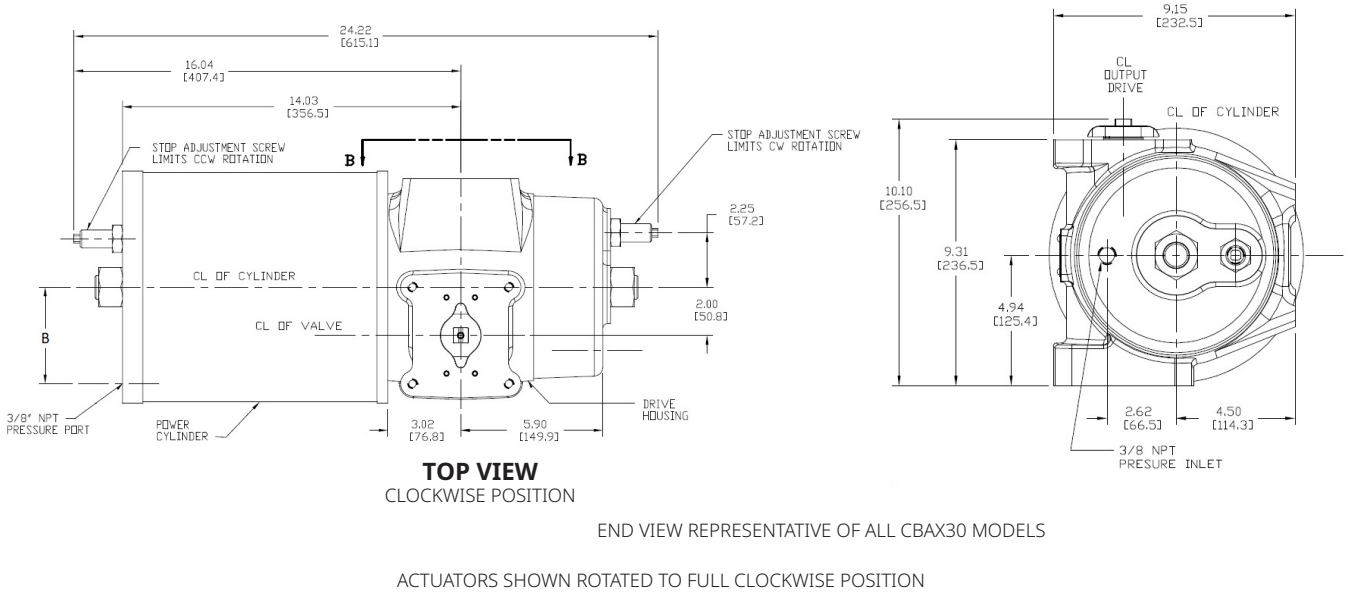
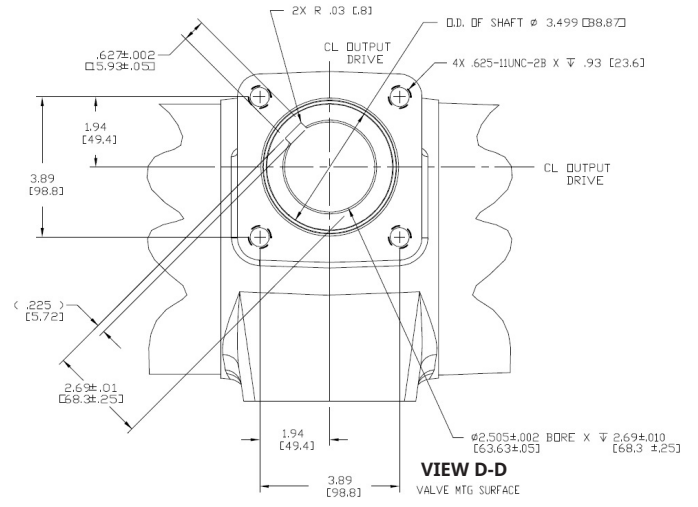
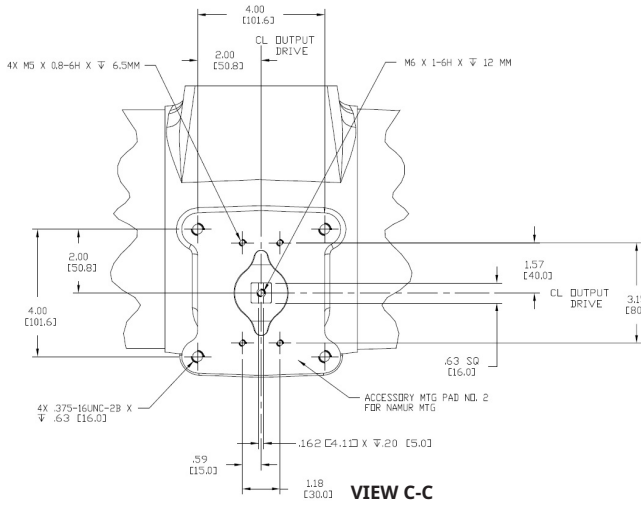


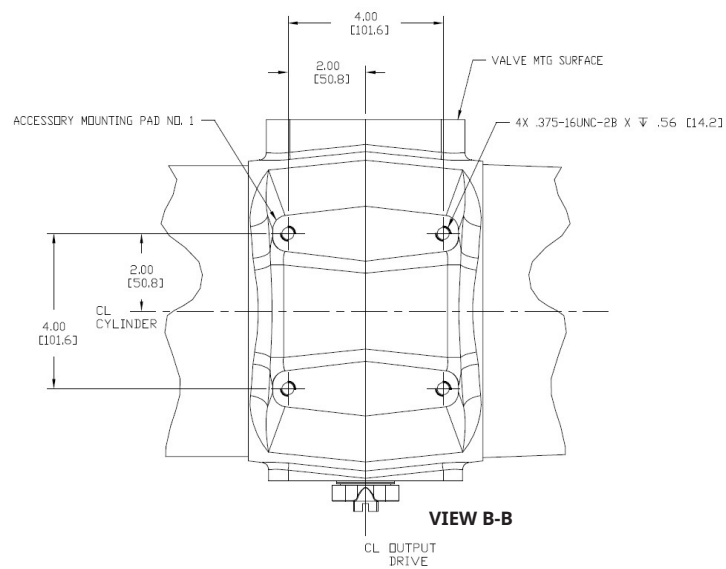
Table 6.

Actuator Model	A	B
CBA730	193.8	76.2
CBA830	219.2	88.9
CBA930	244.6	101.6
CBA1030	276.4	114.3

NOTES:
 Actuators shown rotated to full clockwise position.
 Not Certified dimensional drawings. Such drawings are available on request.
 Contact factory with correct model designation and serial number.
 All dimensions are expressed in mm.



ACTUATORS SHOWN ROTATED TO FULL CLOCKWISE POSITION



Spring-Return Actuators - CBAX30-SRX

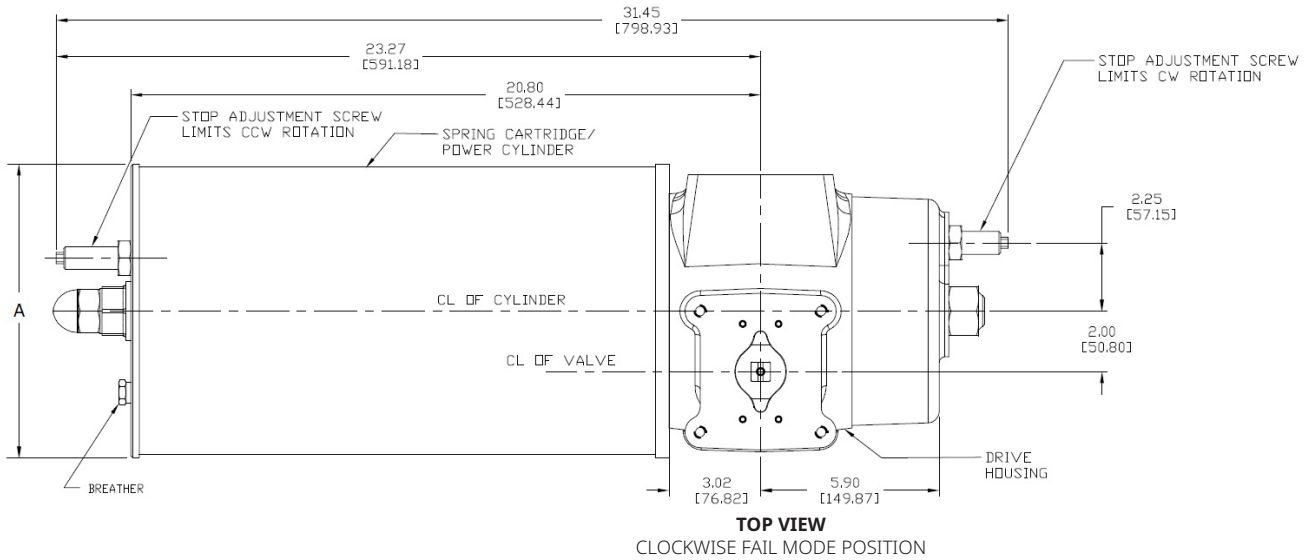


Table 7.

Actuator Model	A
CBA730-SRX	195.3
CBA830-SRX	220.7
CBA930-SRX	246.1
CBA1030-SRX	279.4

NOTES:

For other dimensions, refer to double-acting page.
 Not Certified dimensional drawings. Such drawings are available on request.
 Contact factory with correct model designation and serial number.
 All dimensions are expressed in mm.

Dimensions (mm) - M3 (HW) Override Double-Acting Actuators - CBAX30-M3 (HW)

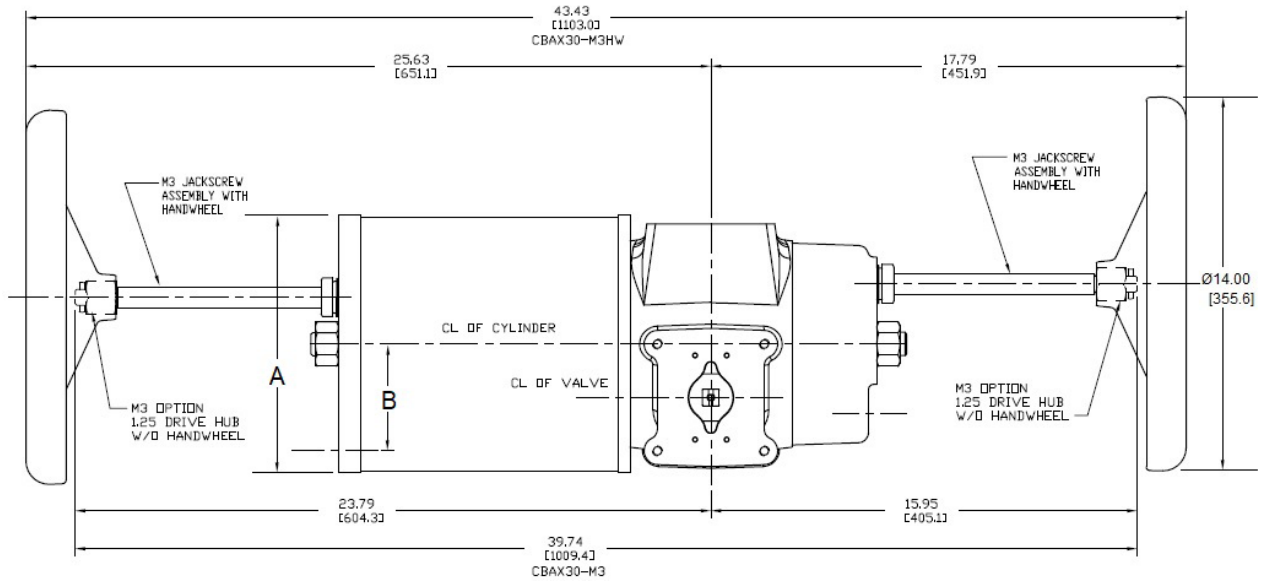


Table 8.

Actuator Model	A	B
CBA730-M3HW	193.8	76.2
CBA830-M3HW	219.2	88.9
CBA930-M3HW	244.6	101.6
CBA1030-M3HW	276.4	114.3

NOTES:

For other dimensions, refer to base actuator pages.
Not Certified dimensional drawings. Such drawings are available on request.
Contact factory with correct model designation and serial number.
All dimensions are expressed in mm.

Spring-Return Actuators - CBAX30-SRX-M3 (HW)

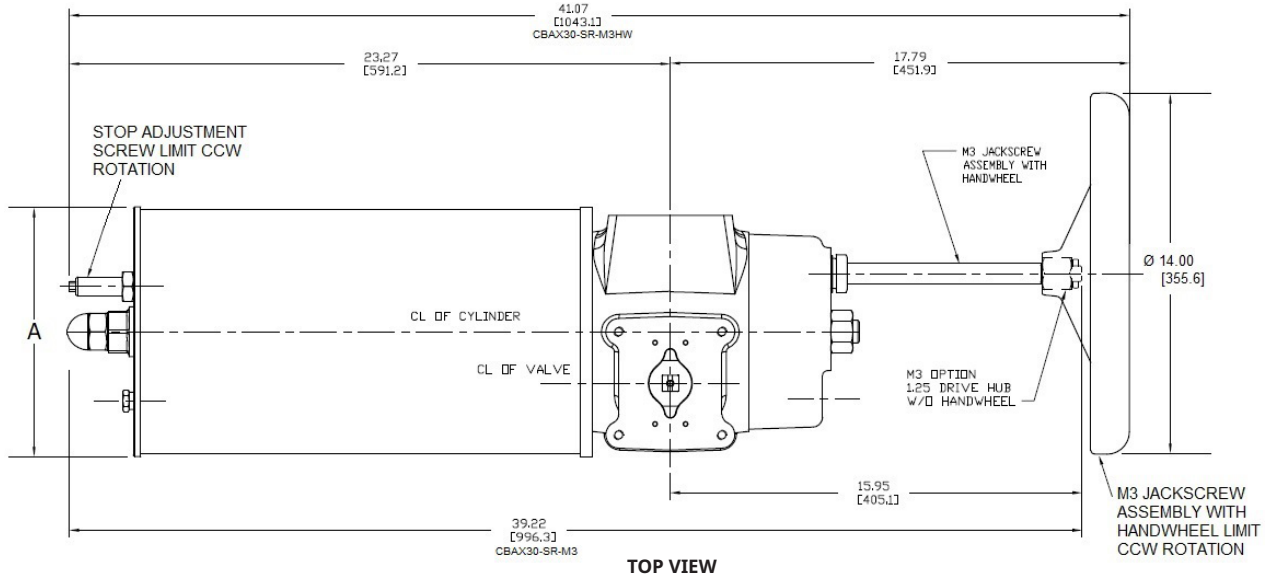


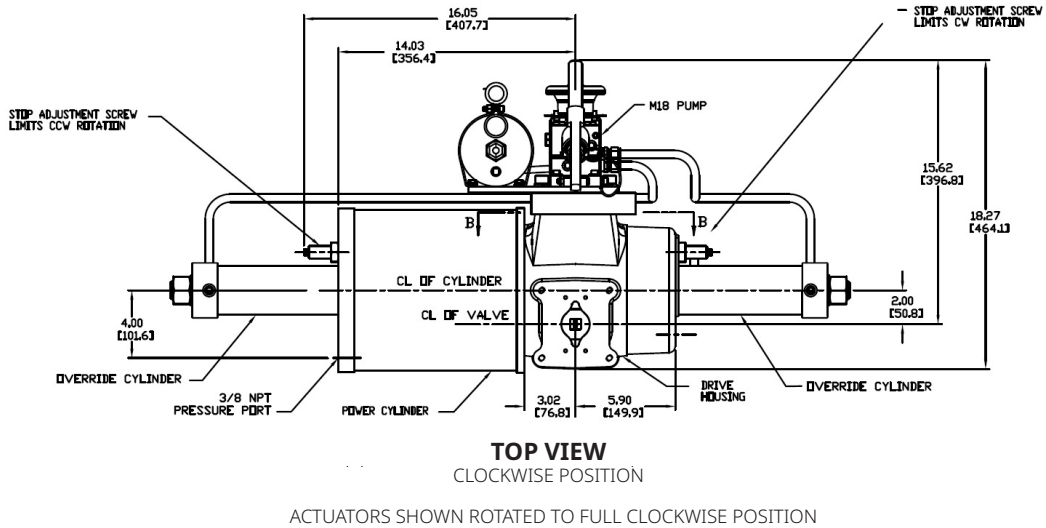
Table 9.

Actuator Model	A
CBA730-SRX-M3HW	195.3
CBA830-SRX-M3HW	220.7
CBA930-SRX-M3HW	246.1
CBA1030-SRX-M3HW	279.4

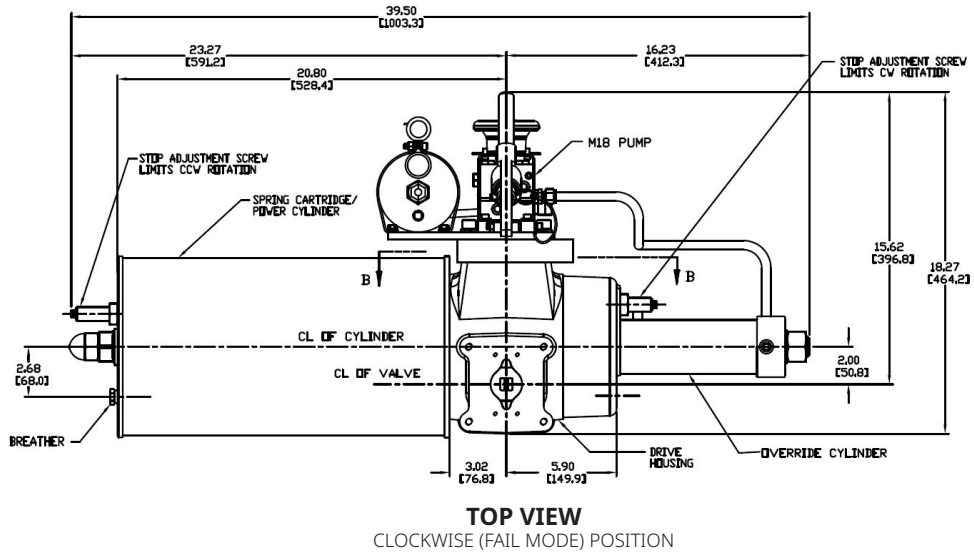
NOTES:

For other dimensions, refer to base actuator pages.
Not Certified dimensional drawings. Such drawings are available on request.
Contact factory with correct model designation and serial number.
All dimensions are expressed in mm.

Dimensions (mm) - Hydraulic Override Double-Acting Actuators - CBAX30-M18

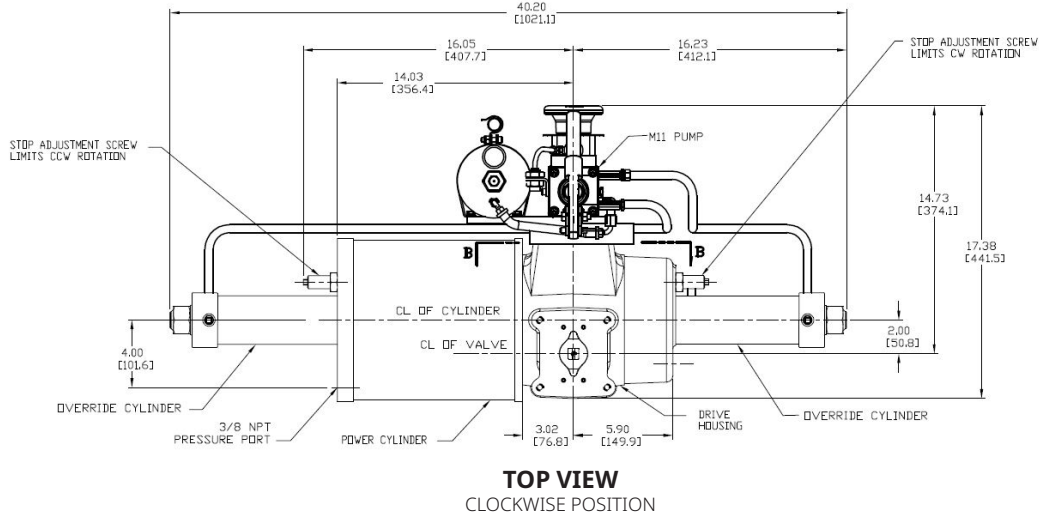


Spring-Return Actuators - CBAX30-SRX-M18



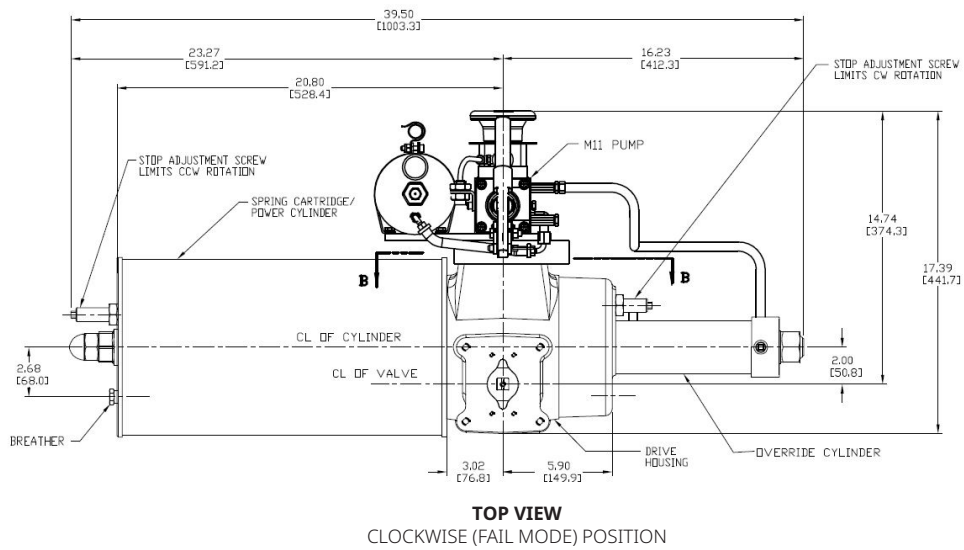
NOTES:
 For other dimensions, refer to base actuator pages.
 Not Certified dimensional drawings. Such drawings are available on request.
 Contact factory with correct model designation and serial number.
 All dimensions are expressed in mm.

Double-Acting Actuators - CBAX30-M11



ACTUATORS SHOWN ROTATED TO FULL CLOCKWISE POSITION

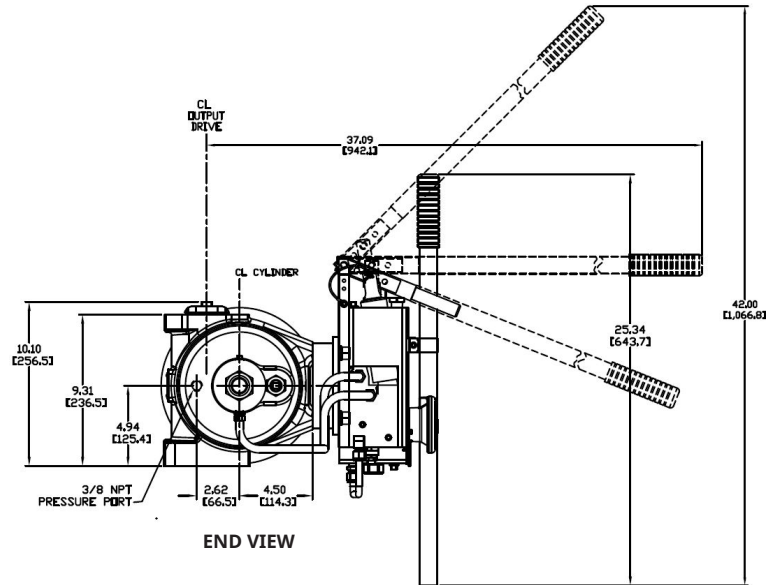
Spring-Return Actuators - CBAX30-SRX-M11



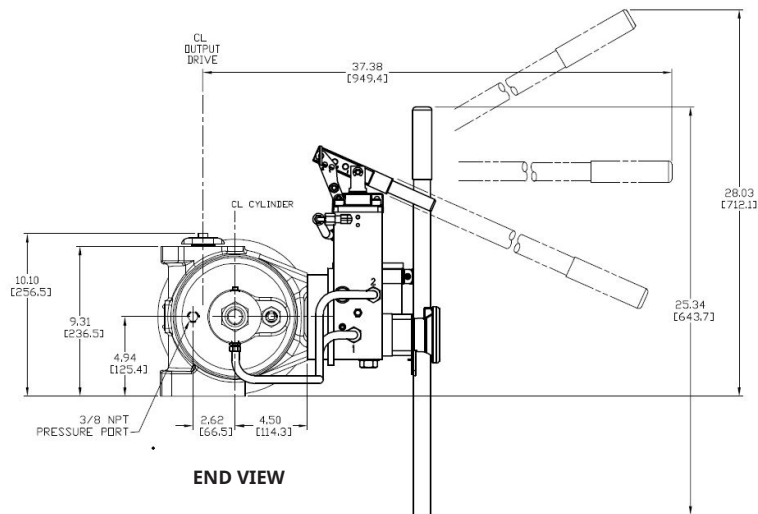
NOTES:

For other dimensions, refer to base actuator pages.
Not Certified dimensional drawings. Such drawings are available on request.
Contact factory with correct model designation and serial number.
All dimensions are expressed in mm.

END VIEW REPRESENTATIVE OF ALL CBAX30-M18 MODELS



END VIEW REPRESENTATIVE OF ALL CBAX30-M11 MODELS



NOTES:
 For other dimensions, refer to base actuator pages.
 Not Certified dimensional drawings. Such drawings are available on request.
 Contact factory with correct model designation and serial number.
 All dimensions are expressed in mm.

www.emerson.com/bettis

VCPDS-13402-EN © 2023 Emerson. All rights reserved.

The Emerson logo is a trademark and service mark of Emerson Electric Co. Bettis™ is a mark of one of the Emerson family of companies. All other marks are property of their respective owners.

The contents of this publication are presented for informational purposes only, and while every effort has been made to ensure their accuracy, they are not to be construed as warranties or guarantees, express or implied, regarding the products or services described herein or their use or applicability. All sales are governed by our terms and conditions, which are available upon request. We reserve the right to modify or improve the designs or specifications of such products at any time without notice.

BETTIS™

