

## Data sheet

Sheet No.: BRC04.01 RevA

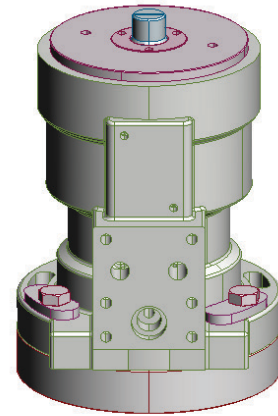
Date: September 2010

BRC 1000

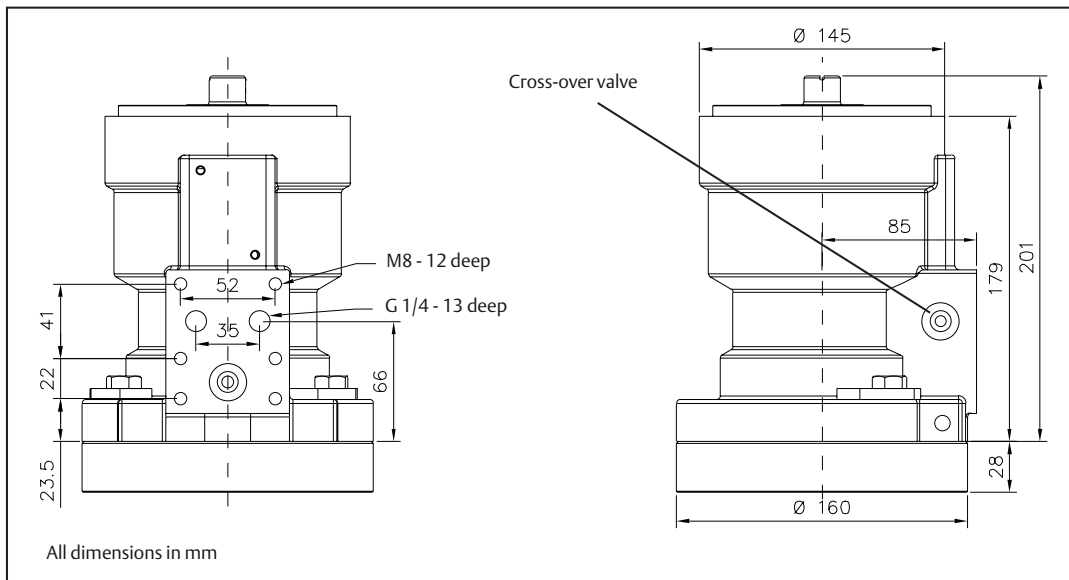
# BRC 1000 Hydraulic double-acting balanced rotary actuator 90° quarter-turn

### Main data:

Working pressure:	135 bar
Burst test:	675 bar
Total dry weight incl. mounting set (5.5 kg):	19.9 kg
Oil displacement:	0.209 l
Temperature range:	-20°C to +80°C
Rotation:	90°±1°
Hydraulic media and viscosities:	We recommend acid-free hydraulic oil. Viscosity range: 15-200 cSt. For recommended brands and for other media than oil please refer to separate data sheet.



### Main dimensions:



Actuator shown in closed position.

A port: Close (clockwise seen from above),

B port: Open.

**BETTIS**

  
**EMERSON**

Copyright © Emerson. The information in this document is subject to change without notice. Updated data sheets can be obtained from our website [www.emerson.com/bettis](http://www.emerson.com/bettis) or from your Emerson Automation Solutions - Actuation Technologies Center:

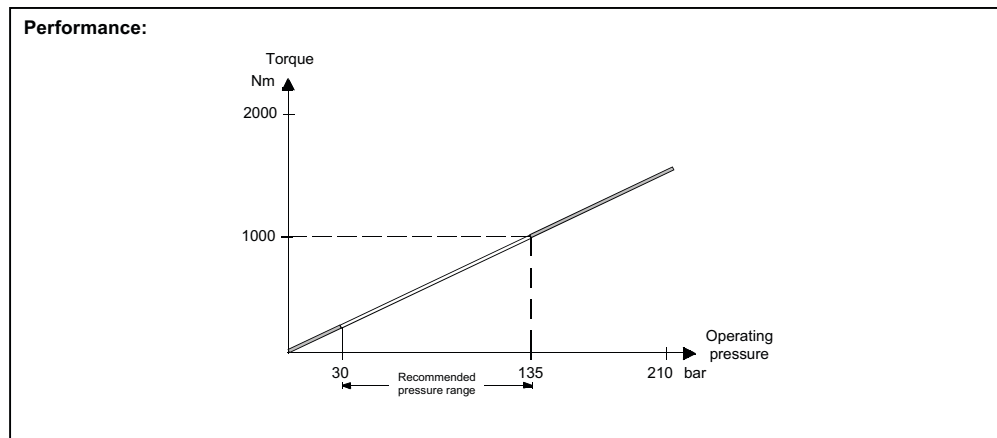
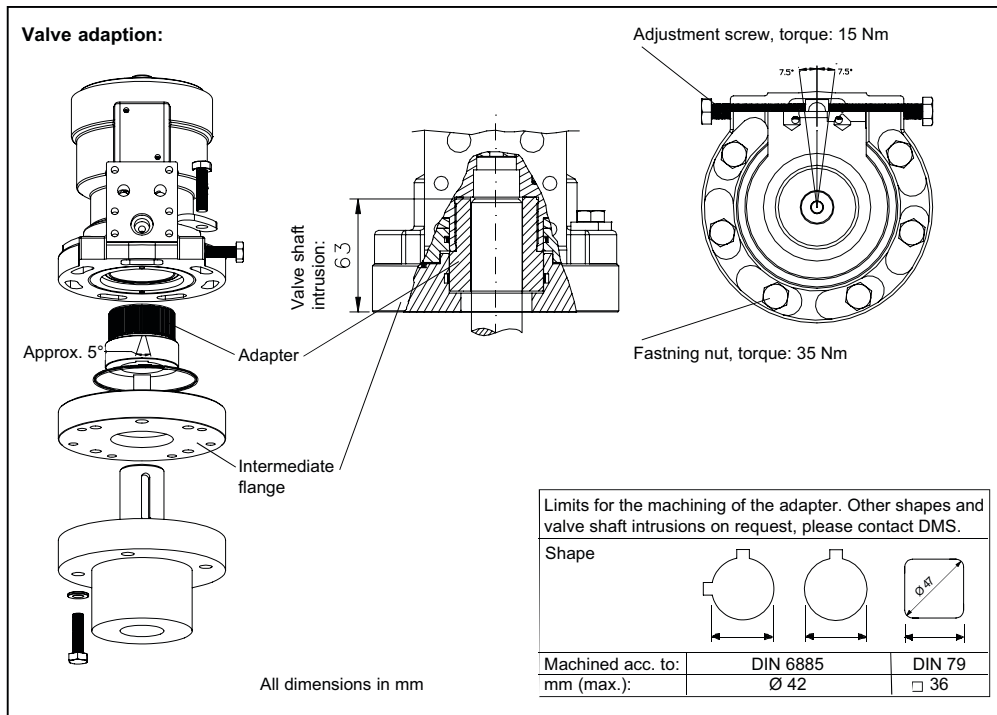
America's: +1 281 477 4100 Europe: +36 22 53 0950 Asia/Pacific: +65 67 77 8211 Middle East: +971 4 811 810

# Data sheet

Sheet No.: BRC04.02 RevA  
 Date: September 2010

BRC 1000

## BRC 1000 Hydraulic double-acting balanced rotary actuator 90° quarter-turn



Note: Not Certified dimensional drawings. Such drawings are available on request. Contact factory with correct model designation and serial number.  
 Important: Due to Emerson's continuing commitment to engineered product advancement, data presented herein is subject to change.

The contents of the publication are presented for information purposes only, and while effort has been made to ensure their accuracy, they are not to be construed as warranties or guarantees, express or implied, regarding the products or services described herein or their use or applicability. All sales are governed by our terms and conditions, which are available on request.  
 We reserve the right to modify or improve the designs or specifications of our products at any time without notice.

**BETTIS™**

**EMERSON™**

Copyright © Emerson. The information in this document is subject to change without notice. Updated data sheets can be obtained from our website [www.emerson.com/bettis](http://www.emerson.com/bettis) or from your Emerson Automation Solutions - Actuation Technologies Center:  
**America's:** +1 281 477 4100 **Europe:** +36 22 53 0950 **Asia/Pacific:** +65 67 77 8211 **Middle East:** +971 4 811 810