

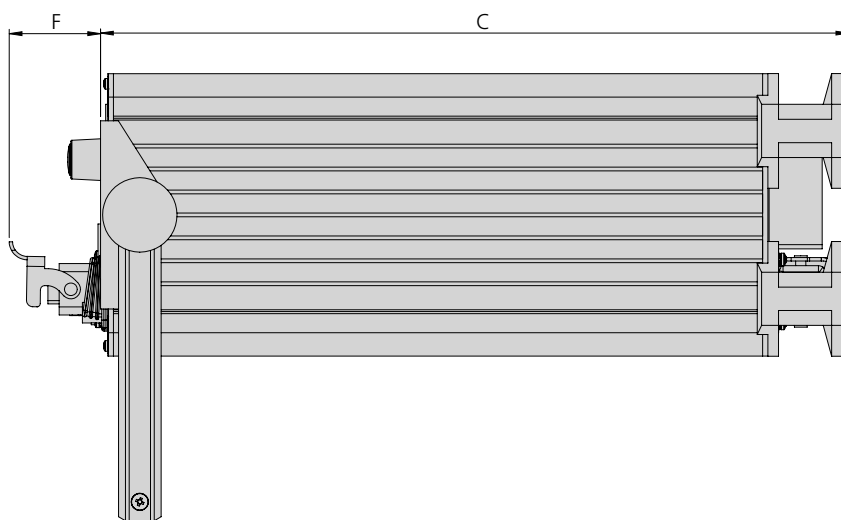
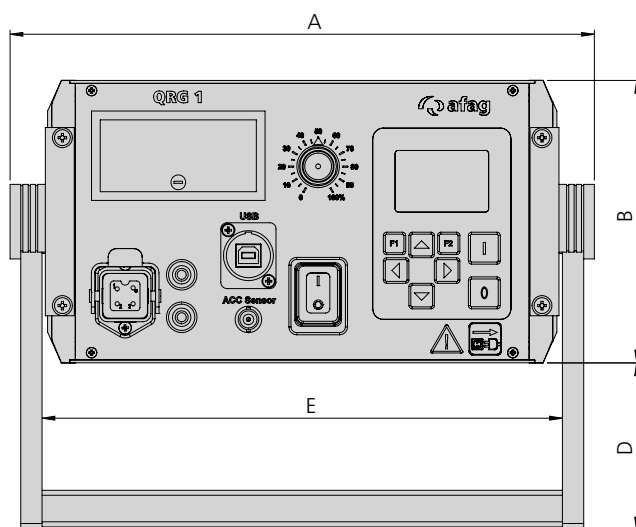
## Tools

# Laboratory instrument QRG-1



- Innovative laboratory measuring instrument for Afag vibration conveyors

Type	QRG-1
A	275 mm
B	133 mm
C	352 mm
D	78.5 mm
E	242 mm
F	43 mm





## QRG-1

Type	QRG-1
<b>Order number</b>	<b>50390535</b>
Sensor supply	14 mA
Output frequency	5 - 300 Hz
Frequency	50/60 Hz
Output voltage	0 - 105/0 - 205 V
Frequency of the power part	50/60 Hz
Frequency of the measurement range	6 - 600 Hz
Net weight	5.5 kg
Actual values sensor	10/100/500 mV/g
Deflection	0 - 30 mm
Measuring range	0.2 - 150 g
Measuring error	1.5 %
Nominal output current	8 A

## Accelerometer QRG-1

<b>Order number</b>	<b>50399733</b>
Net weight	0.1 kg