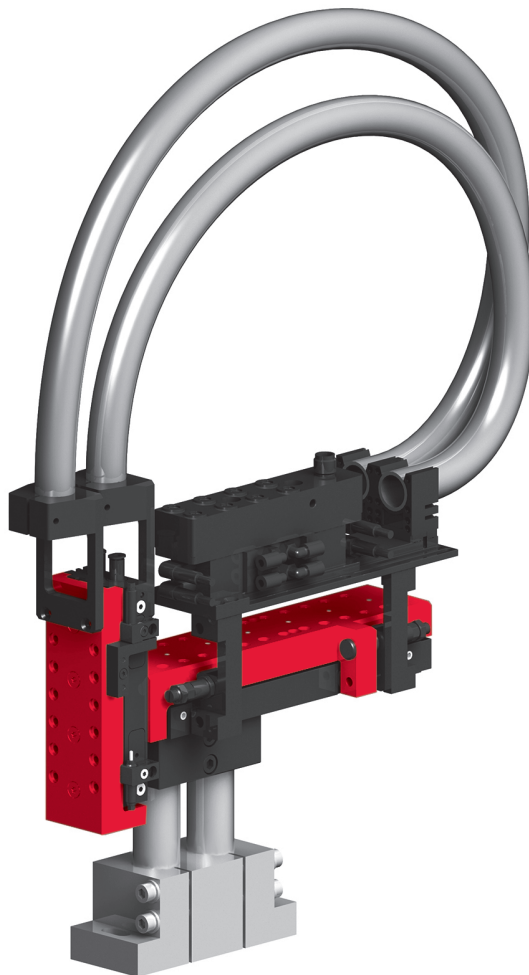


# Pneumatically handling systems

## EPS nano YZ



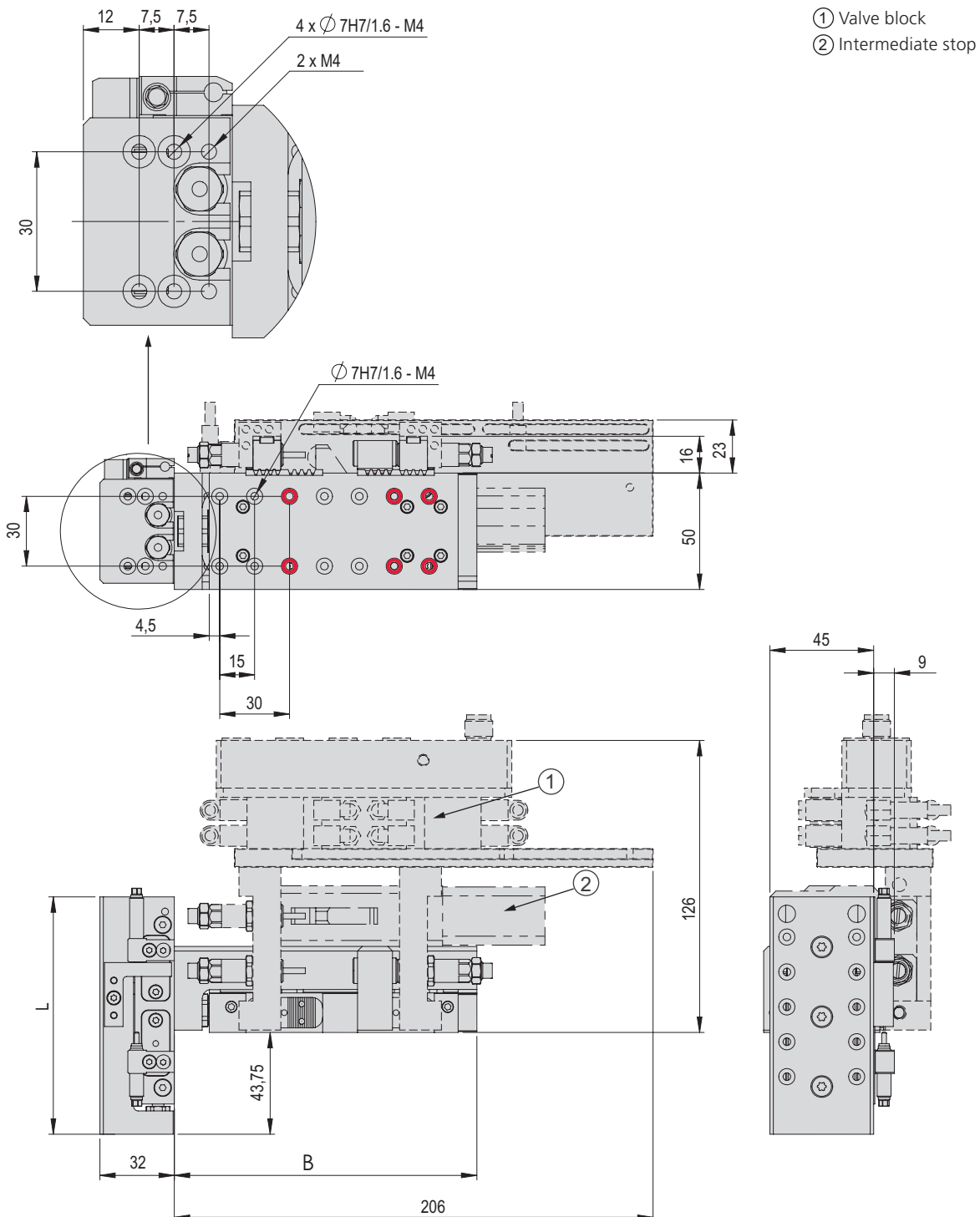
- Compact, fully pre-cabled and pre-piped ready for operation
- Intermediate stop available for Y and Z
- Ideal for small payloads

# Dimensions

## EPS nano YZ

Type	B
CS 16/30	130 mm
CS 16/60	177 mm
CS 16/90	209 mm
CS 16/120	252 mm

Type	L
CS 12/30-SD/ED	102 mm
CS 12/60-SD/ED	132 mm
CS 12/90-SD/ED	162 mm



⊕ Bores can be screwed through. For additional and differently aligned bores that can be screwed through, see catalogue HT components linear.

EPS nano YZ	
<b>Order number</b>	<b>50456538</b>
Drive type	pneumatical
Repeat accuracy	± 0.02 mm
Temperature range	0 ... 50 °C
Control block with 5/3, 5/2 or vacuum units	up to 6 valves

Type	Y-axis
Axis	CS 16
Stroke horizontal	30, 60, 90, 120 mm
Air connection P	M5
Maximum speed	1 m/s
Retract piston force	103 N
Extend piston force	120 N

Type	Z-axis
Axis	CS 12
Stroke vertical	30, 60, 90 mm
Air connection P	M5
Maximum speed	1 m/s
Retract piston force	71 N
Extend piston force	94 N

### Included in the delivery \*

- 4x Ø 7h6 Centring sleeves
- 4x Special screws M4x20/8
- 4x Shock absorbers
- Hose
- Complete piping/wiring

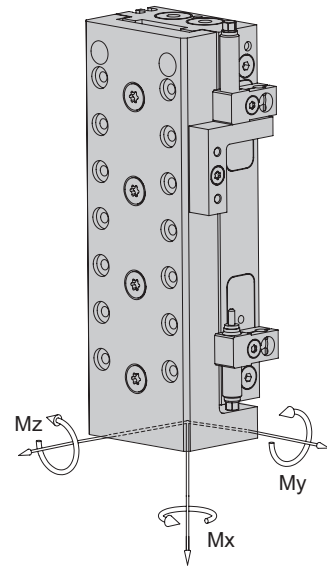
### Accessories

(Catalogue HT accessories)

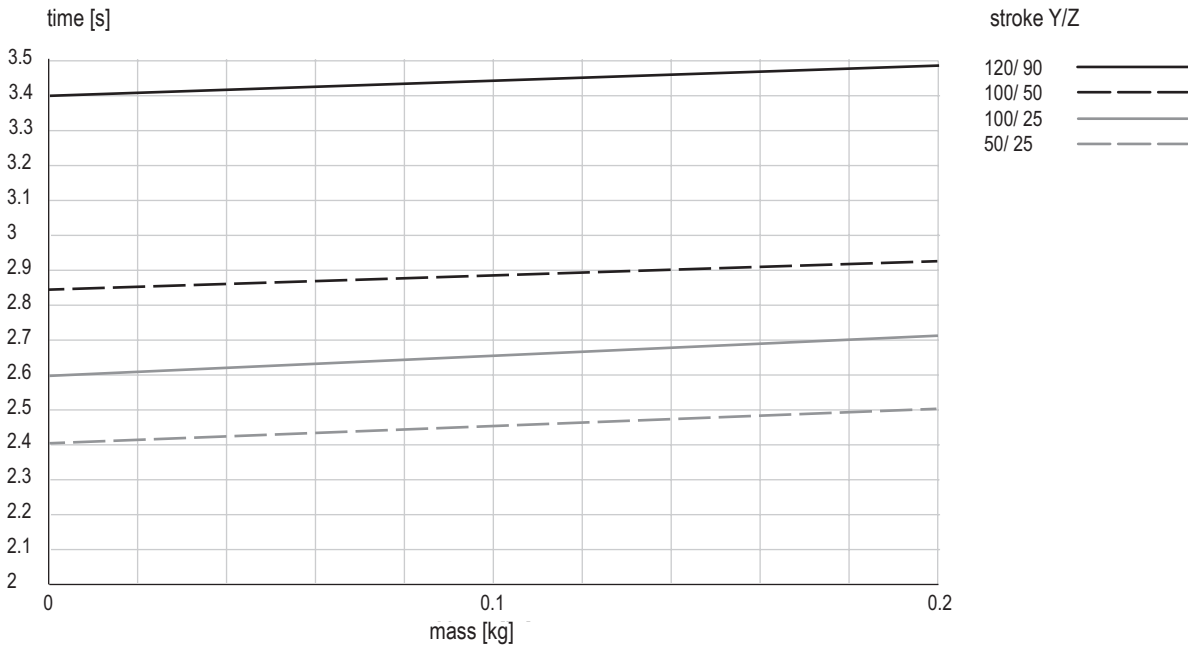
- Console
- Valve block
- Initiators
- (Catalogue HT components linear)
- Intermediate stop ZA-CS
- (Catalog HT components gripping/rotating)
- Rotary modules
- Gripper modules

\* Deviations possible depending on installed peripherals

Type	CS 12/30	CS 12/60	CS 12/90
Static torque Mx	13 Nm	13 Nm	13 Nm
Static torque My	8 Nm	8 Nm	8 Nm
Static torque Mz	8 Nm	8 Nm	8 Nm



### Cycle times EPS nano YZ for Pick & Place



Times including 2 x 100 ms gripping time

**Comment:**

The values in the chart correspond to a Pick-and-Place cycle (6 subsequent movements + 2 x 100 ms gripping time). The indicated mass is centrally installed at the vertical linear unit. Standstill times of handling permit shorter movement times. In exceptions, e.g. at eccentric mass or high requirements to accuracy, the value may be exceeded.