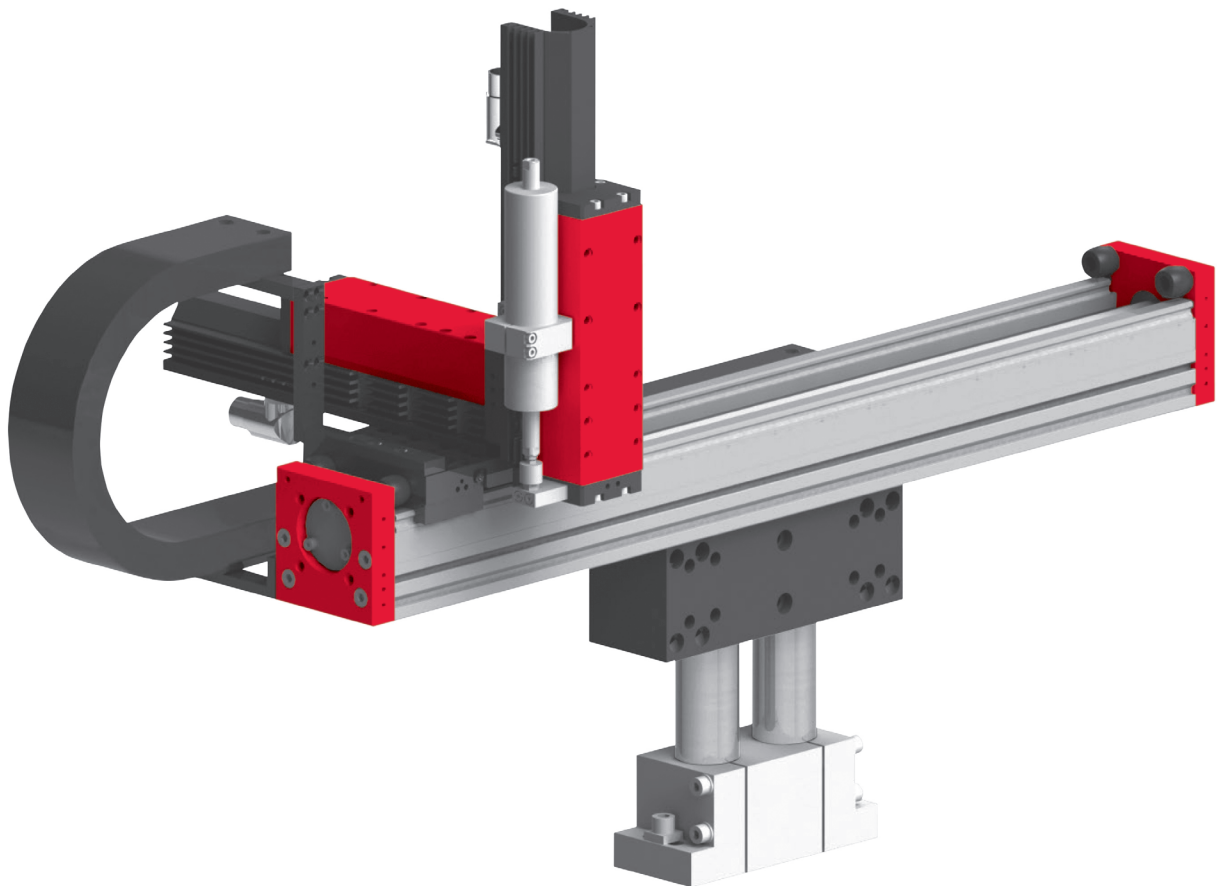


Electrical handling systems

EPS maxi XYZ



- Powerful, robust setup
- Suitable for joining tasks due to stiff modules
- Large selection of lifting combinations

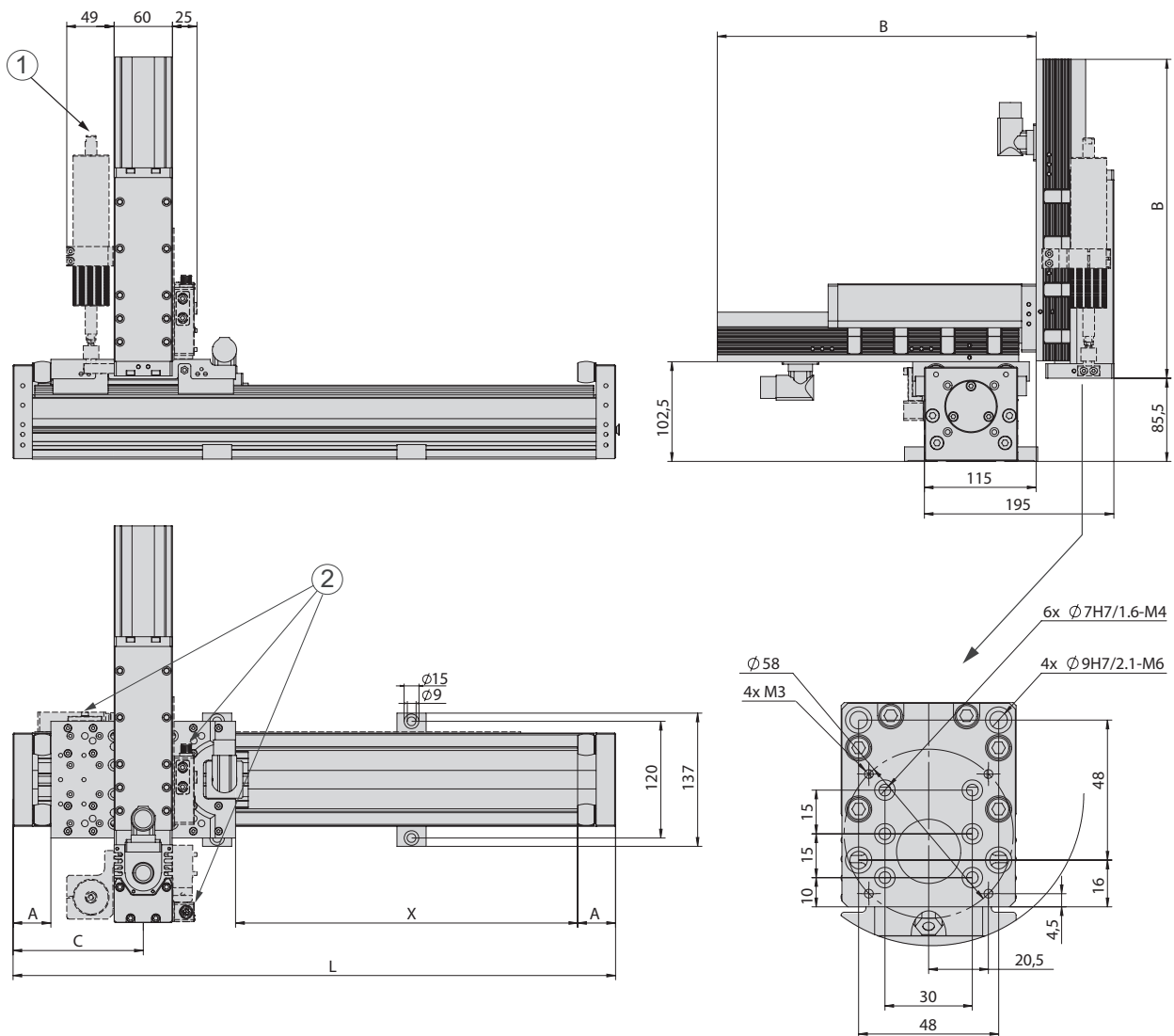
Dimensions

EPS maxi XYZ

Type	A	C	L
PDL30-X-D19	40 mm	134 mm	X + 270 mm
PDL30-X-D20	50 mm	144 mm	X + 290 mm
PDL40-X-D27	49 mm	169 mm	X + 340 mm
PDL40-X-D28	64 mm	182 mm	X + 370 mm
PDL40-X-HP-D27	49 mm	229 mm	X + 460 mm
PDL40-X-HP-D28	64 mm	242 mm	X + 490 mm

Type	B
ES30-50-SL	288 mm
ES30-100-SL	328 mm
ES30-100	328 mm
ES30-200-SL	428 mm
ES30-200	428 mm
ES30-300	528 mm
ES30-400	628 mm
ES30-500	728 mm

- ① MagSpring
- ② Path measuring system
- X Stroke of the X-axis



EPS maxi XYZ			
Order number	50444436		
Drive type	electrical, linear motor		
Repeat accuracy	± 0.05 mm		
- with external path measuring system (1 µm)	± 0.02 mm		
Temperature range	0 ... 50 °C		
Control block with 5/3, 5/2 or vacuum units	up to 6 valves		

Type	X-axis		
Axis	PDL30	PDL40	PDL40-HP
Stroke horizontal	90, 130, 150, 230, 250, 330, 350, 430, 450, 530, 550, 630, 650, 730, 930, 1130, 1330 mm	70, 160, 170, 230, 280, 320, 370, 440, 460, 530, 580, 670, 880, 1060, 1270, 1480, 1660 mm	110, 160, 200, 250, 320, 340, 410, 460, 550, 760, 940, 1150, 1360, 1540 mm
Maximum speed	3.2 m/s	3 m/s	2 m/s
Peak force	255 N	550 N	1024 N
Permanent force	51 N	145 N	203 N

Type	Y-axis
Axis	ES30
Stroke horizontal	50, 100, 200, 300, 400, 500 mm
Maximum speed	3.2 m/s
Peak force	255 N
Permanent force	51 N

Type	Z-axis
Axis	ES30
Stroke vertical	50, 100, 200, 300, 400, 500 mm
Maximum speed	3.2 m/s
Peak force	255 N
Permanent force	51 N

Included in the delivery *

- 2x Ø 7h6 Centring sleeves
- 4x Ø 9h7 Centring sleeves
- MagSpring
- Hose or drag chain
- Motor cable
- Completely wired
- Controller parametrised

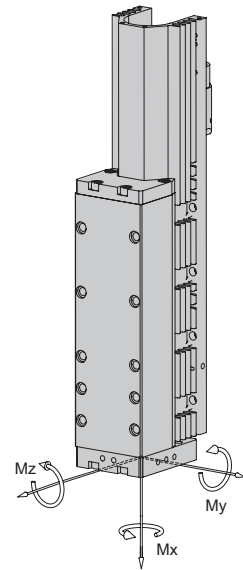
Accessories

- (Catalogue HT accessories)
- Console
 - Valve block
 - (Catalogue HT components linear)
 - Path measuring system
 - (Catalogue HT components gripping/rotating)
 - Rotary modules
 - Gripper modules

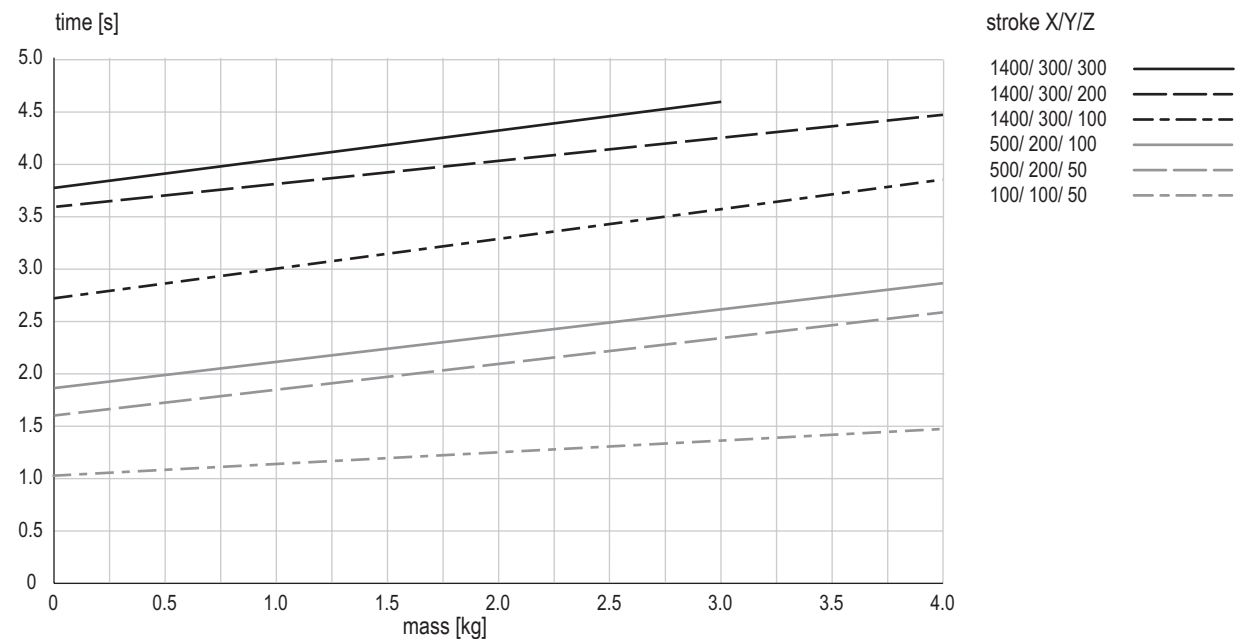
* Deviations possible depending on installed peripherals

Type	ES30-SL	ES30
Dynamic torque Mx	30 Nm	30 Nm
Dynamic torque My	40 Nm	80 Nm
Dynamic torque Mz	40 Nm	80 Nm

Payload (centric)						
Stroke horizontal (Y)	50 mm	100 mm	200 mm	300 mm	400 mm	500 mm
Stroke vertical (Z)						
50 mm	5 kg	4 kg	3 kg	2 kg	1 kg	0.5 kg
100 mm	4 kg	3 kg	2 kg	1 kg	0.5 kg	-
200 mm	3 kg	2 kg	1 kg	0.5 kg	-	-
300 mm	2 kg	1 kg	0.5 kg	-	-	-
400 mm	1 kg	0.5 kg	-	-	-	-
500 mm	0.5 kg	-	-	-	-	-



Cycle times EPS maxi XYZ for Pick & Place



Times including 2 x 100 ms gripping time

Comment:

The values in the chart correspond to a Pick & Place cycle (6 subsequent movements + 2 x 100 ms gripping time). The indicated mass is centrally installed at the vertical linear unit. Standstill times of handling permit shorter movement times. In exceptions, e.g. at eccentric mass or high requirements to accuracy, the value may be exceeded.