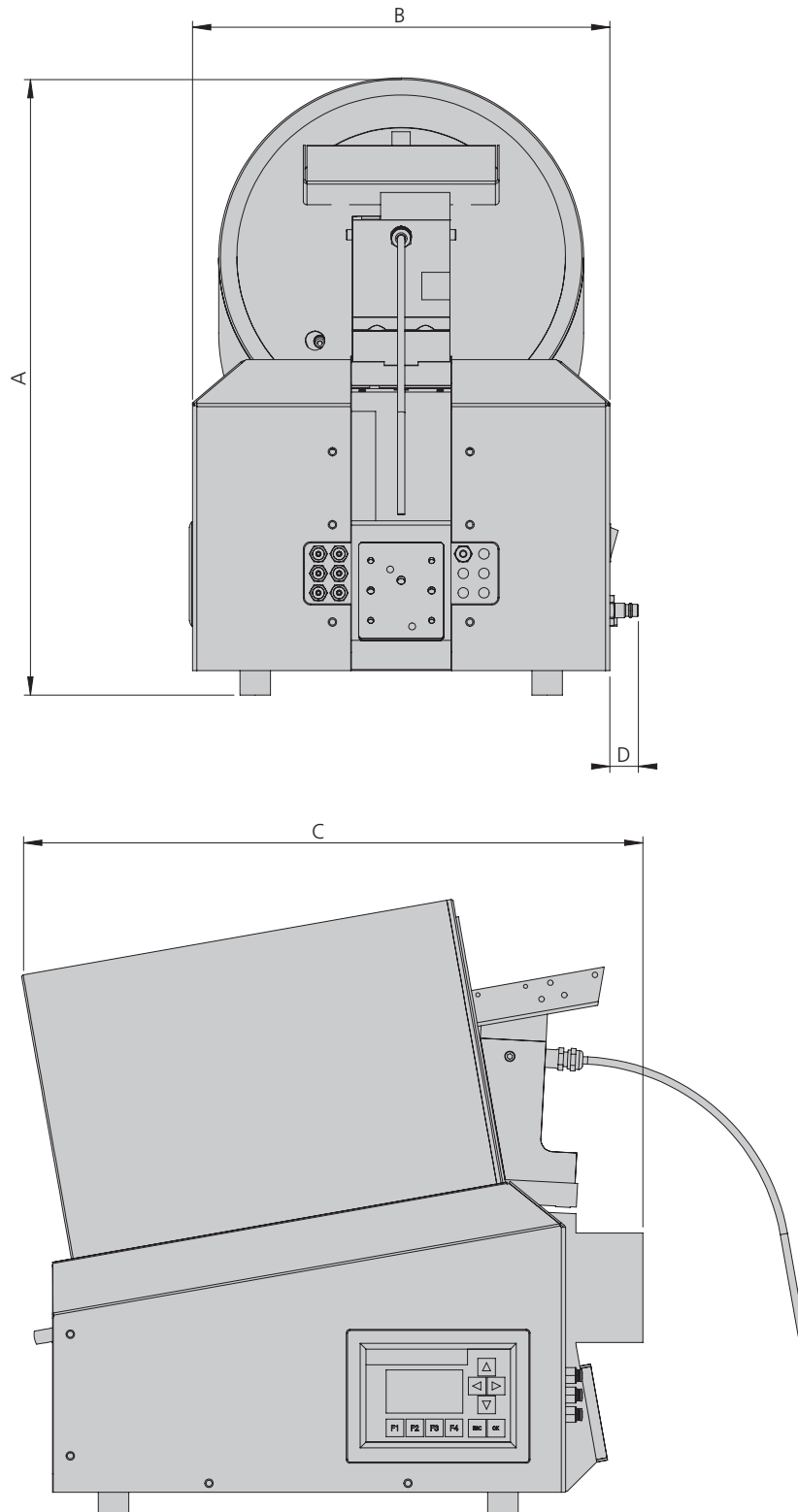


Drum feeder





## Drum feeder

### Order no.

230 V / 50 Hz

on request

Dimensions	Units	
A	[mm]	506
B	[mm]	343
C	[mm]	510
D	[mm]	23.5

## Technical data

Voltage supply	230 VAC
Power rating	500 VA
Power fuse	10 A
Rated current	2 A
Internal voltage supply	24 VDC, 2.5 A
Supply pressure	6 bar / 87 psi
Pneumatic connection	Festo KSS6
Drum diameter	300
Temperature range	0 - 40 °C
Supply voltage compensation	•
Degree of protection	IP54

• = available