

Connection elements

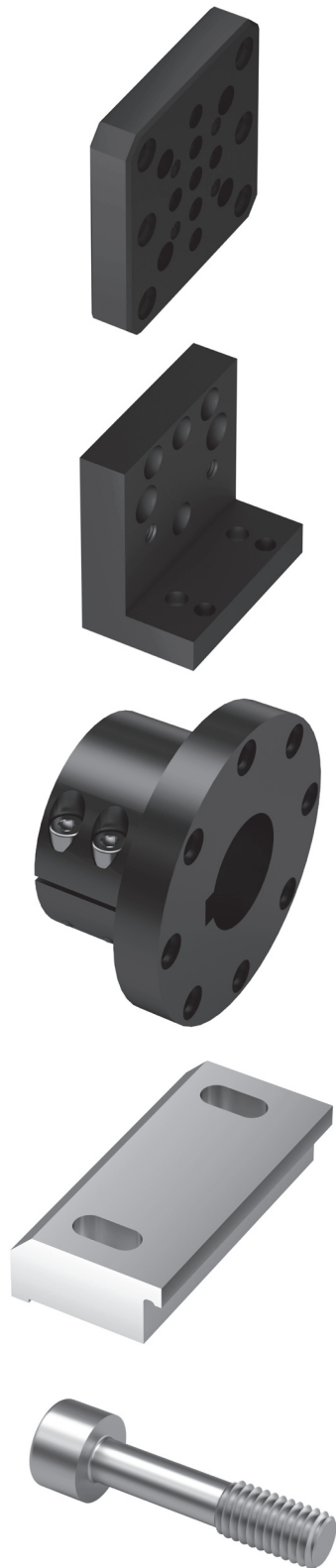
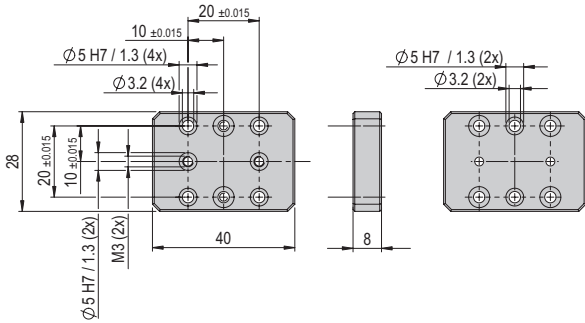


Table of contents: Connection elements

Connection elements	Page
Connection plate VP	8
Angle plate VW	20
Flange plate VF	26
Connecting set VS	28
Special screws	32
T-nuts	34

Connection plates VP

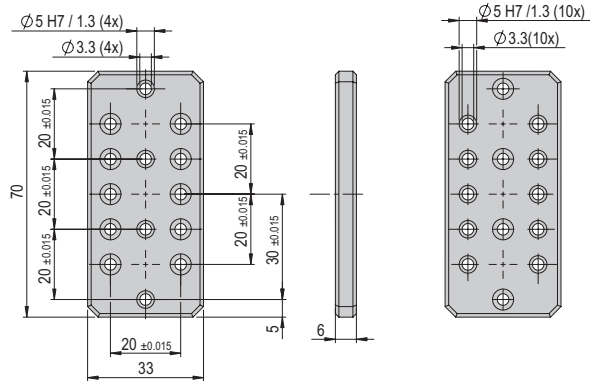
Connection plate VP 100	VP 100
Order number	50077103
Net weight	0.021 kg



Included in the delivery

- 2x Special screw M3 x 10/4
- 4x Mounting screw M3x12
- 2x Centering bushing $\varnothing 5 \times 2.5$

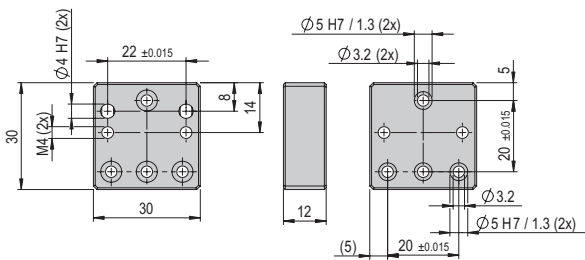
Connection plate VP 101	VP 101
Order number	50041054
Net weight	0.032 kg



Included in the delivery

- 2x Mounting screw M3x10
- 2x Centering bushing $\varnothing 5 \times 2.5$
- 6x Mounting screw M3x12

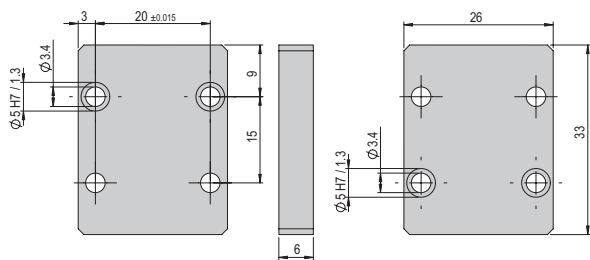
Connection plate VP 102	VP 102
Order number	50077106
Net weight	0.025 kg



Included in the delivery

- 2x Mounting screw M3x16
- 2x Centering bushing $\varnothing 5 \times 2.5$

Connection plate VP 103	VP 103
Order number	50077107
Net weight	0.013 kg



Included in the delivery

- 4x Mounting screw M3x12
- 4x Centering bushing $\varnothing 5 \times 2.5$

Connection plate VP 104

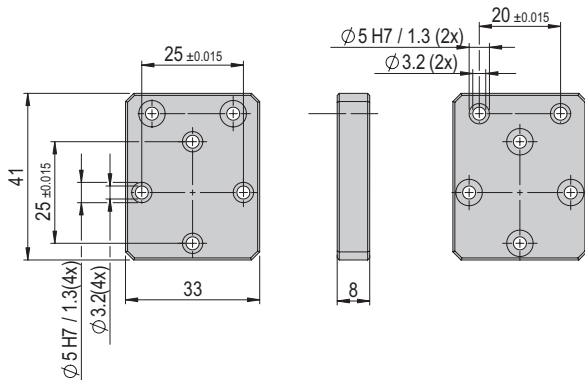
VP 104

Order number

50077108

Net weight

0.026 kg



Included in the delivery

- 2x Mounting screw M3x10
- 2x Centering bushing Ø5x2.5

Connection plate VP 105

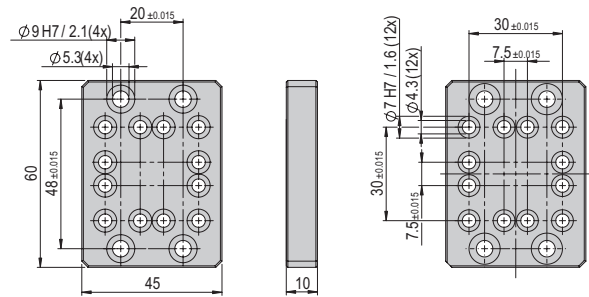
VP 105

Order number

50077109

Net weight

0.057 kg



Included in the delivery

- 2x Centering bushing Ø7x3
- 2x Centering bushing Ø9x4
- 4x Mounting screw M4x12
- 4x Mounting screw M5x20

Connection plate VP 106

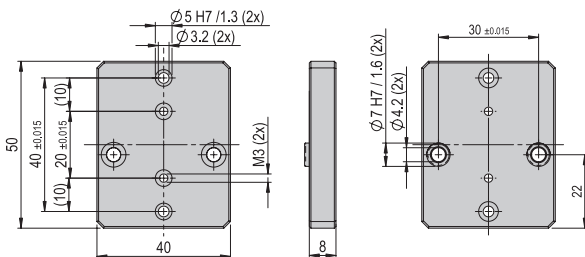
VP 106

Order number

50077110

Net weight

0.041 kg



Included in the delivery

- 2x Centering bushing Ø7x3
- 2x Mounting screw M4x12

Connection plate VP 107

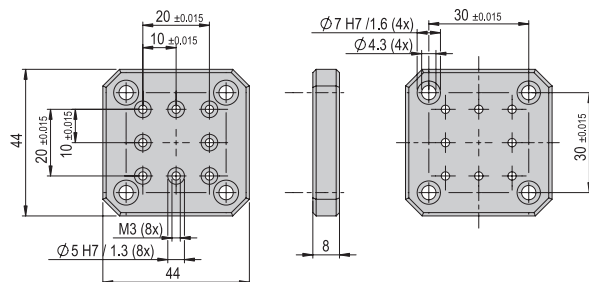
VP 107

Order number

50041056

Net weight

0.038 kg



Included in the delivery

- 2x Centering bushing Ø7x3
- 4x Mounting screw M4x10

Connection plate VP 108

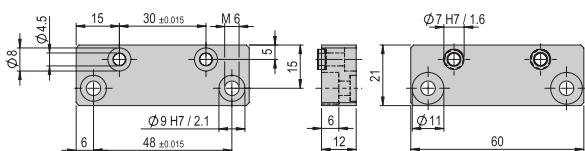
VP 108

Order number

50077113

Net weight

0.035 kg



Included in the delivery

- 2x Centering bushing Ø7x3
- 2x Mounting screw M4x16
- 2x Mounting screw M6x16

Connection plate VP 109

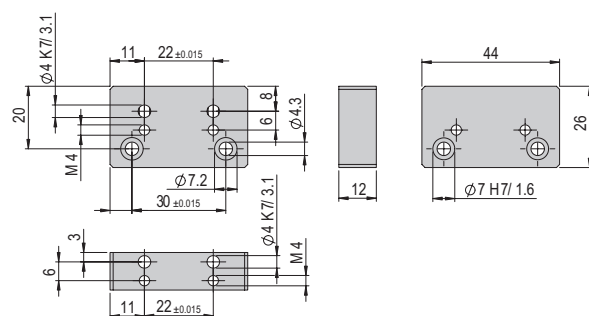
VP 109

Order number

11016902

Net weight

0.034 kg



Included in the delivery

- 2x Centering bushing Ø7x3
- 2x Mounting screw M4x14

Note: Connection plate, angle plates, flange plates can also be manufactured by the customer itself, please have a look at our website www.afag.com where you can download shop drawings free of charge.

Connection plate VP 110

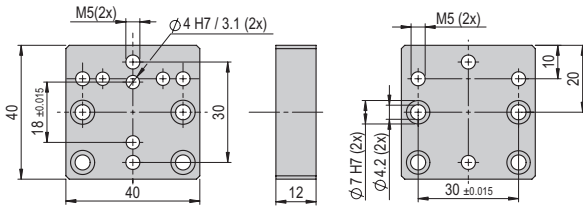
VP 110

Order number

50077115

Net weight

0.044 kg



Included in the delivery

- 2x Centering bushing Ø7x3
- 4x Mounting screw M4x12

Connection plate VP 111

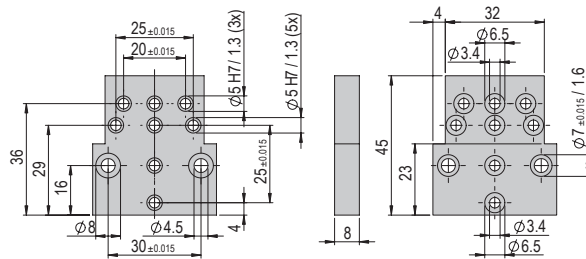
VP 111

Order number

50077116

Net weight

0.03 kg



Included in the delivery

- 2x Centering bushing Ø7x3
- 2x Mounting screw M3x10
- 2x Mounting screw M4x12
- 2x Centering bushing Ø5x2.5

Connection plate VP 112

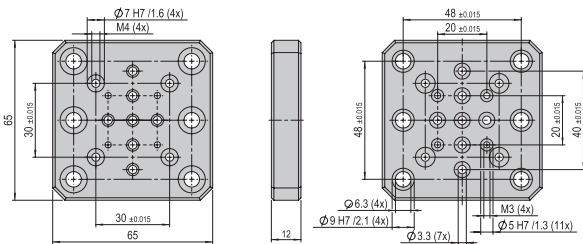
VP 112

Order number

50041068

Net weight

0.112 kg



Included in the delivery

- 2x Centering bushing Ø9x4
- 2x Mounting screw M3x16
- 2x Centering bushing Ø5x2.5
- 2x Mounting screw M4x10
- 4x Mounting screw M4x20
- 4x Mounting screw M6x16

Connection plate VP 113

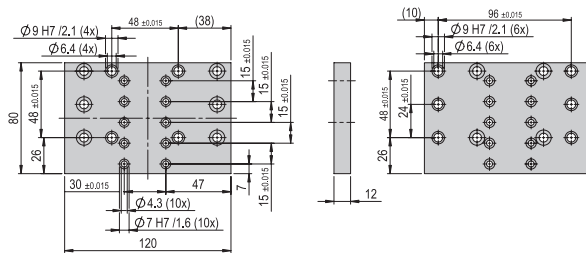
VP 113

Order number

50077118

Net weight

0.274 kg



Included in the delivery

- 2x Centering bushing Ø9x4
- 4x Mounting screw M4x12
- 4x Mounting screw M6x14
- 8x Mounting screw M6x20

Connection plate VP 114

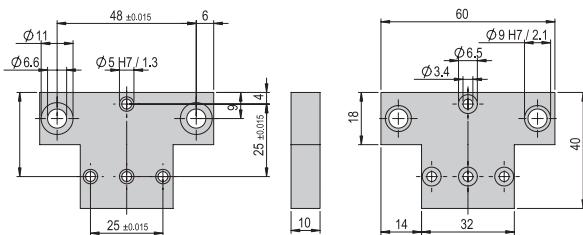
VP 114

Order number

50077119

Net weight

0.041 kg



Included in the delivery

- 2x Centering bushing Ø9x4
- 2x Mounting screw M3x12
- 2x Mounting screw M6x14
- 2x Centering bushing Ø5x2.5

Connection plate VP 115

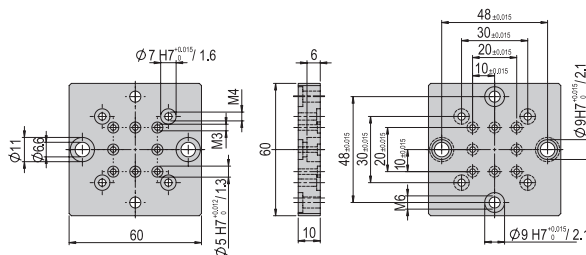
VP 115

Order number

50077120

Net weight

0.086 kg



Included in the delivery

- 2x Centering bushing Ø9x4
- 2x Mounting screw M6x14
- 2x Mounting screw M6x16
- 2x Mounting screw M6x25

Connection plate VP 117

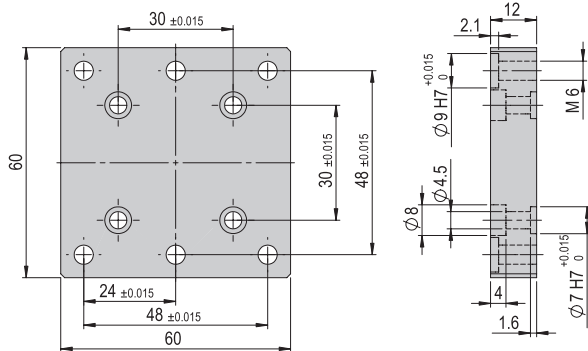
VP 117

Order number

50077121

Net weight

0.393 kg



Included in the delivery

- 2x Centering bushing $\varnothing 7 \times 3$
- 4x Mounting screw M4x16
- 4x Mounting screw M6x20
- 4x Mounting screw M6x30
- 4x Special screw M6 x 20/11

Connection plate VP 118

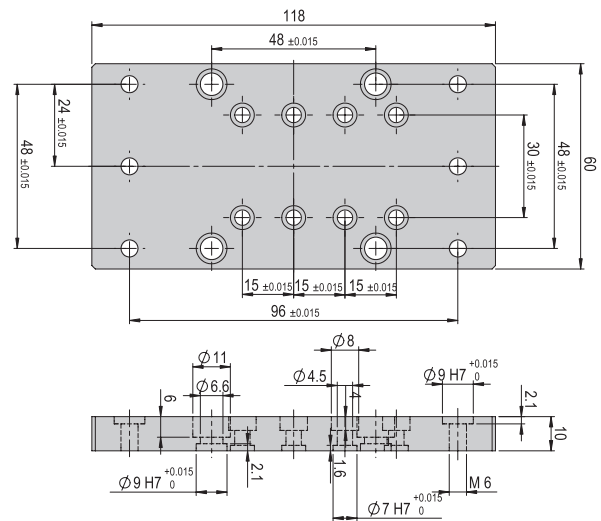
VP 118

Order number

50077122

Net weight

0.171 kg



Included in the delivery

- 2x Centering bushing $\varnothing 7 \times 3$
- 2x Centering bushing $\varnothing 9 \times 4$
- 4x Mounting screw M4x12
- 4x Mounting screw M6x16
- 4x Mounting screw M6x20

Connection plate VP 119

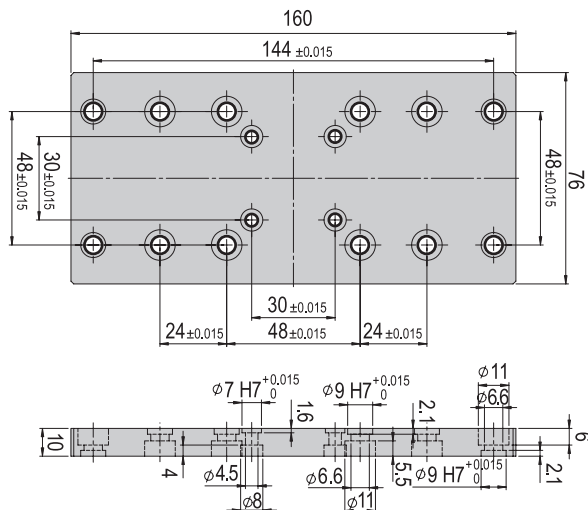
VP 119

Order number

11017417

Net weight

0.298 kg



Included in the delivery

- 2x Centering bushing $\varnothing 7 \times 3$
- 4x Centering bushing $\varnothing 9 \times 4$
- 4x Mounting screw M4x14
- 4x Mounting screw M6x12
- 8x Mounting screw M6x16

Connection plate VP 120

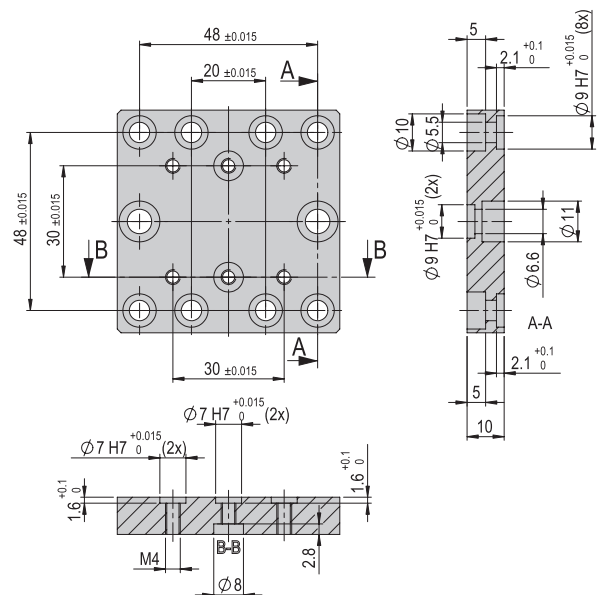
VP 120

Order number

11010369

Net weight

0.079 kg



Included in the delivery

- 4x Centering bushing $\varnothing 9 \times 4$
- 2x Mounting screw M4x12
- 4x Mounting screw M5x16
- 4x Mounting screw M6x16

Note: Connection plate, angle plates, flange plates can also be manufactured by the customer itself, please have a look at our website www.afag.com where you can download shop drawings free of charge.

Connection plate VP 122

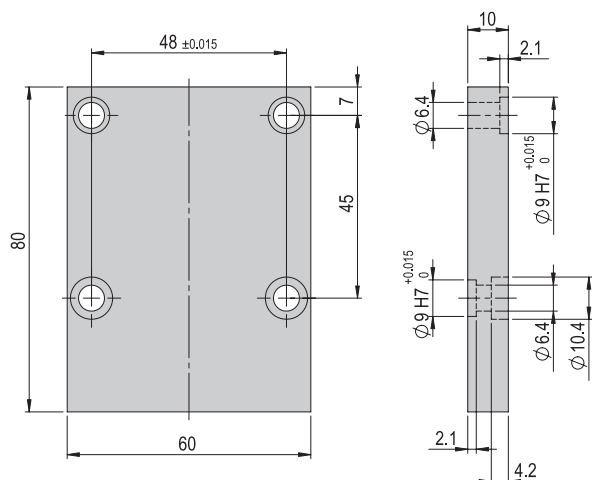
VP 122

Order number

11001621

Net weight

0.123 kg



Included in the delivery

- 4x Centering bushing Ø9x4
- 2x Mounting screw M6x16
- 2x Mounting screw M6x20

Connection plate VP 125

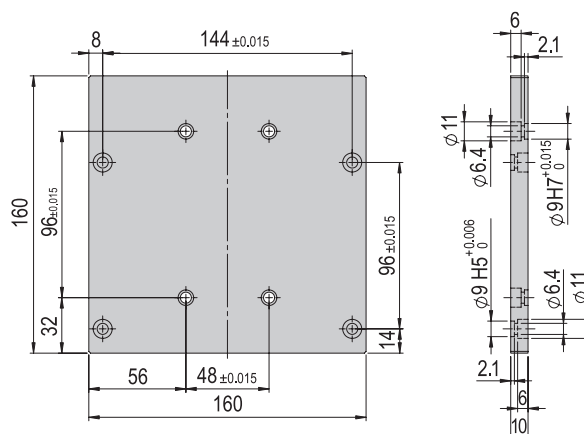
VP 125

Order number

50017888

Net weight

0.409 kg



Included in the delivery

- 8x Centering bushing Ø9x4
- 8x Mounting screw M6x16

Connection plate VP 126

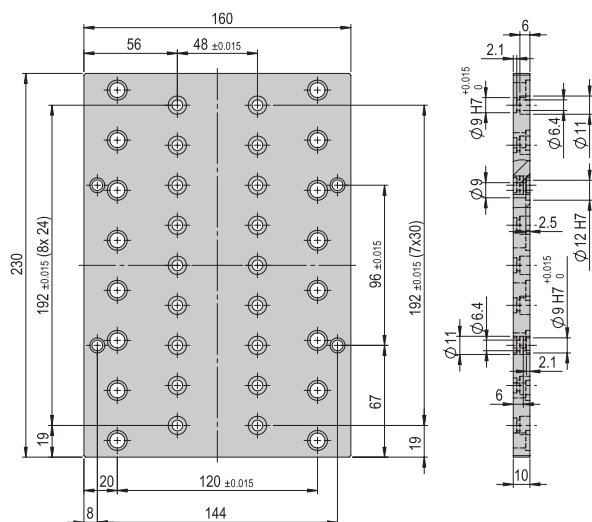
VP 126

Order number

50077130

Net weight

1.04 kg



Included in the delivery

- 4x Centering bushing Ø9x4
- 2x Centering bushing Ø12x4.8
- 4x Mounting screw M6x12
- 4x Mounting screw M6x18
- 4x Mounting screw M8x25

Connection plate VP 127

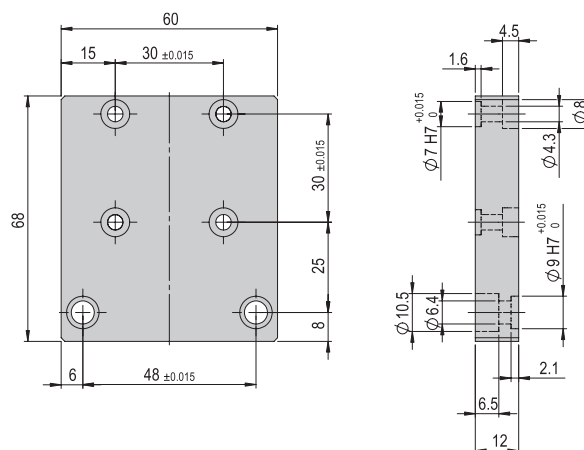
VP 127

Order number

50003068

Net weight

0.122 kg

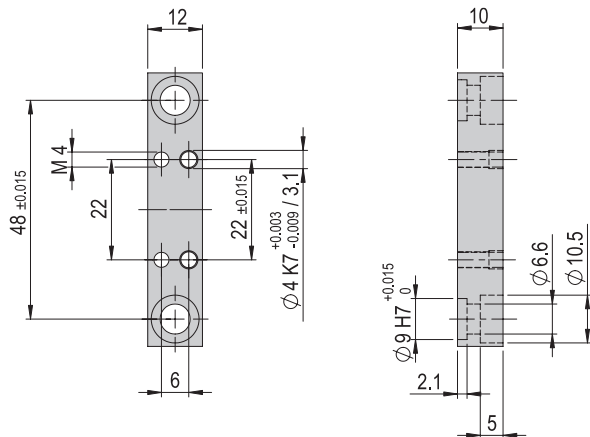


Included in the delivery

- 2x Centering bushing Ø7x3
- 2x Centering bushing Ø9x4
- 4x Mounting screw M4x14
- 4x Mounting screw M4x20
- 2x Mounting screw M6x12
- 2x Mounting screw M6x20

Connection plate VP 128 VP 128

Order number	11005908
Net weight	0.015 kg

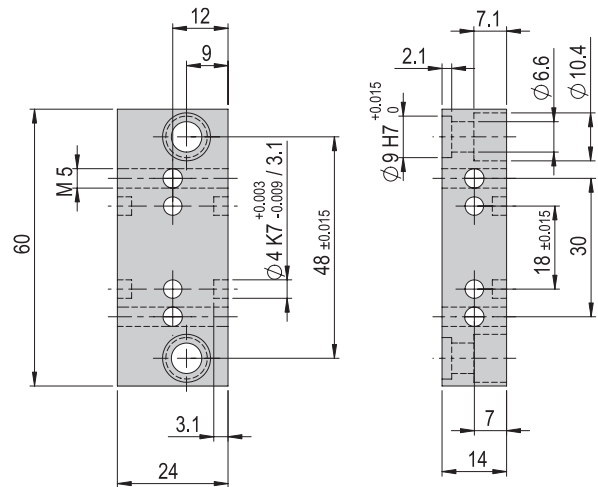


Included in the delivery

- 2x Centering bushing Ø9x4
- 2x Mounting screw M4x30
- 2x Mounting screw M6x20
- 2x Washer M4

Connection plate VP 129 VP 129

Order number	11001440
Net weight	0.045 kg

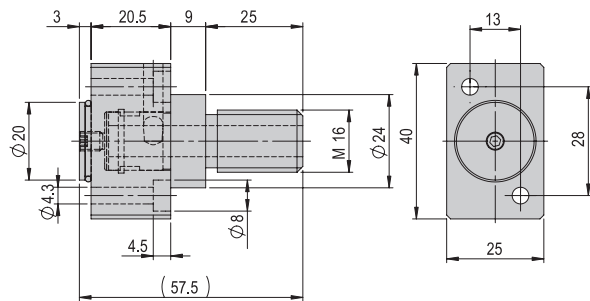


Included in the delivery

- 2x Centering bushing Ø9x4
- 2x Mounting screw M6x20

Connection plate VP 130 VP 130

Order number	11009167
Net weight	0.121 kg

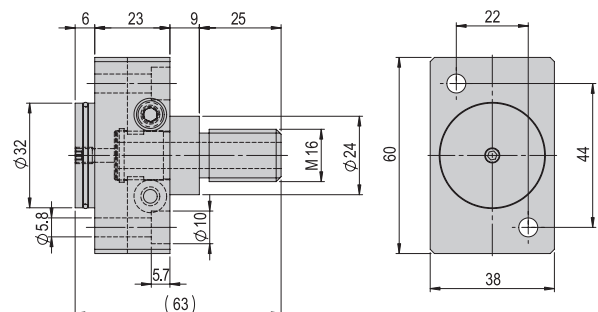


Included in the delivery

- 2x Mounting screw M4x25
- 1x Set screw M5x6
- 1x Set screw M6x8
- 1x O-ring 15x1 mm
- 1x O-ring 18x1.5 mm
- 1x Lardon

Connection plate VP 131 VP 131

Order number	11009168
Net weight	0.241 kg



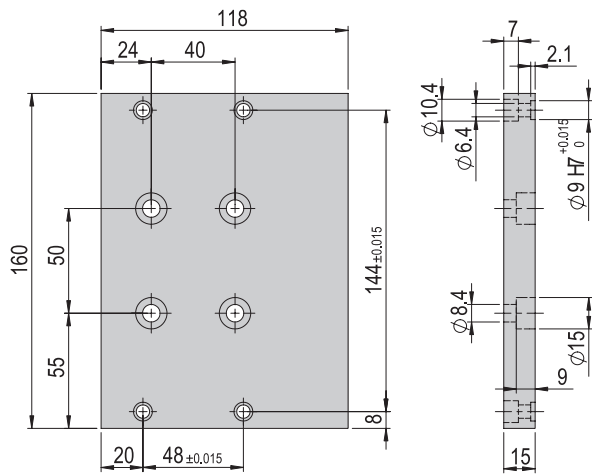
Included in the delivery

- 2x Mounting screw M5x30
- 1x Set screw M5x6
- 1x O-ring 15x1 mm
- 1x O-ring 29x1.5 mm

Note: Connection plate, angle plates, flange plates can also be manufactured by the customer itself, please have a look at our website www.afag.com where you can download shop drawings free of charge.

Connection plate VP 132 VP 132

Order number 11004894
Net weight 0.747 kg

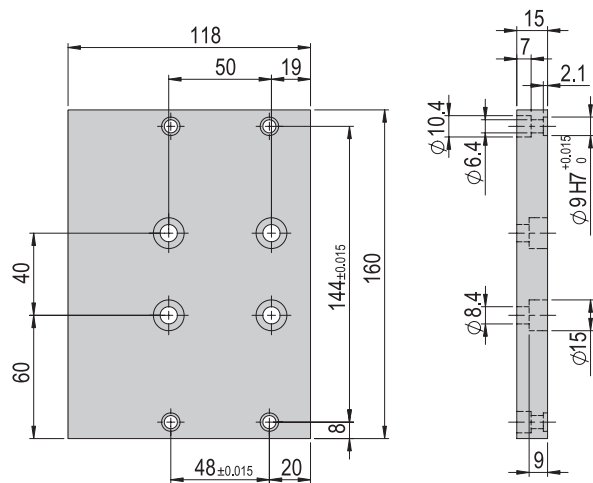


Included in the delivery

- 4x Centering bushing Ø9x4
- 4x Mounting screw M6x20
- 4x Mounting screw M8x25

Connection plate VP 133 VP 133

Order number 11004975
Net weight 0.747 kg

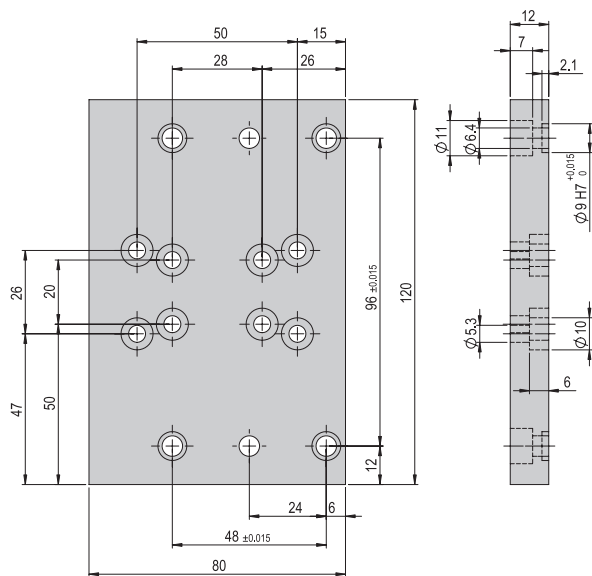


Included in the delivery

- 4x Centering bushing Ø9x4
- 4x Mounting screw M6x20
- 4x Mounting screw M8x16
- 4x T-nut M8

Connection plate VP 134 VP 134

Order number 11014949
Net weight 0.282 kg

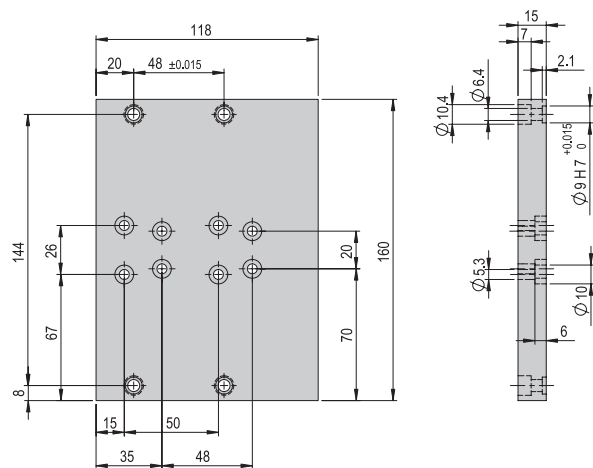


Included in the delivery

- 2x Centering bushing Ø9x4
- 4x Mounting screw M5x12
- 4x Mounting screw M5x16
- 4x Mounting screw M6x20
- 4x T-nut M5

Connection plate VP 135 VP 135

Order number 11014954
Net weight 0.747 kg

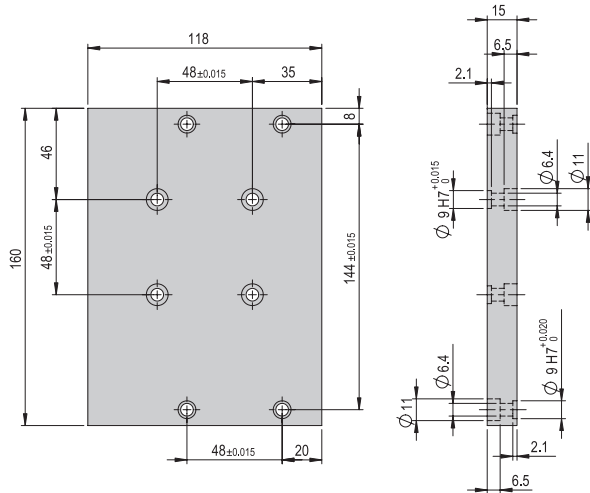


Included in the delivery

- 2x Centering bushing Ø9x4
- 4x Mounting screw M5x12
- 4x Mounting screw M5x16
- 4x Mounting screw M6x20
- 4x T-nut M5

Connection plate VP 136 VP 136

Order number	11014931
Net weight	0.747 kg

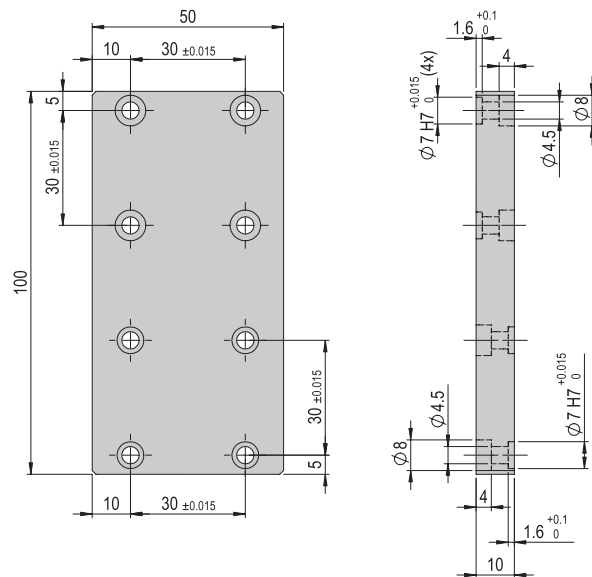


Included in the delivery

- 4x Centering bushing Ø9x4
- 4x Mounting screw M6x16
- 4x Mounting screw M6x20

Connection plate VP 137 VP 137

Order number	50095813
Net weight	0.126 kg

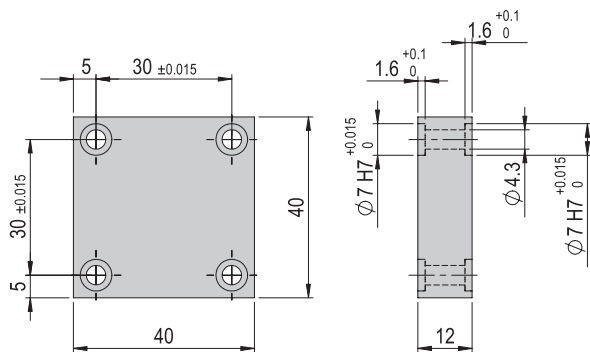


Included in the delivery

- 4x Centering bushing Ø7x3
- 4x Mounting screw M4x10
- 8x Mounting screw M4x14

Connection plate VP 138 VP 138

Order number	50001370
Net weight	0.049 kg

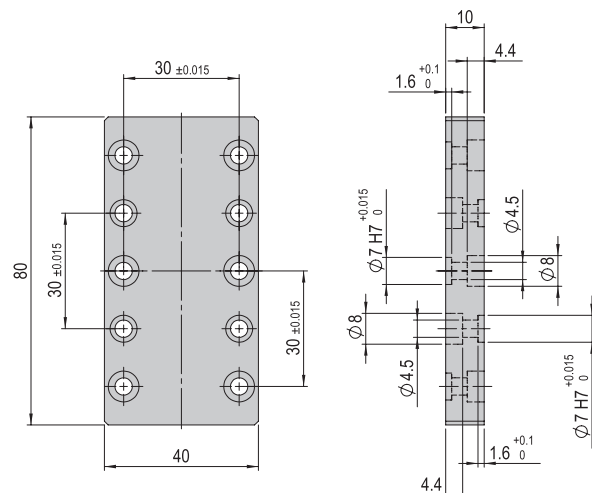


Included in the delivery

- 2x Centering bushing Ø7x3
- 4x Mounting screw M4x30

Connection plate VP 139 VP 139

Order number	11017960
Net weight	0.078 kg



Included in the delivery

- 4x Centering bushing Ø7x3
- 8x Mounting screw M4x14

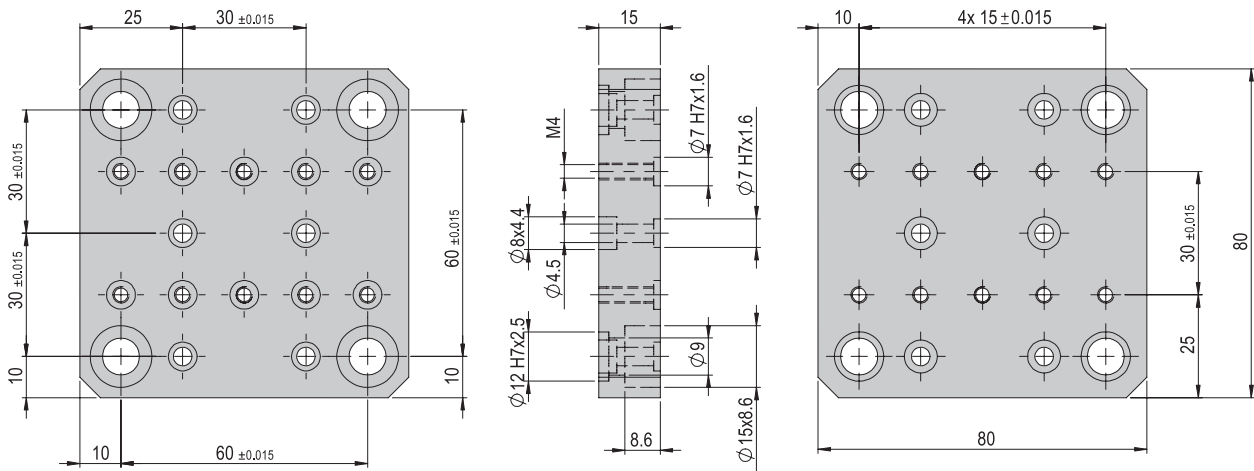
Note: Connection plate, angle plates, flange plates can also be manufactured by the customer itself, please have a look at our website www.afag.com where you can download shop drawings free of charge.

Order number

50214488

Net weight

0.3 kg



Included in the delivery

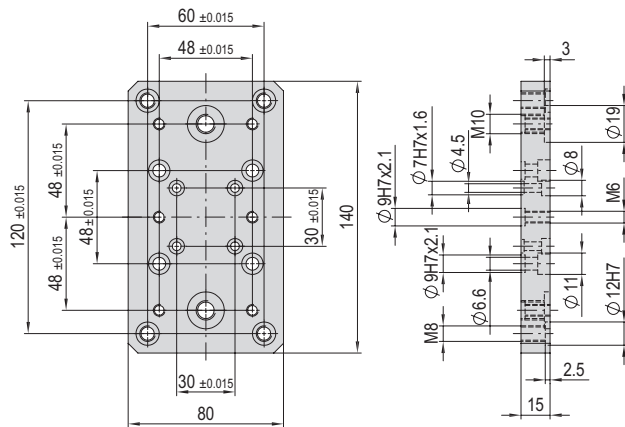
- 2x Centering bushing $\varnothing 7 \times 3$
- 2x Centering bushing $\varnothing 12 \times 4.8$
- 4x Mounting screw M4x18
- 4x Mounting screw M8x20

Order number

50272311

Net weight

0.465 kg



Included in the delivery

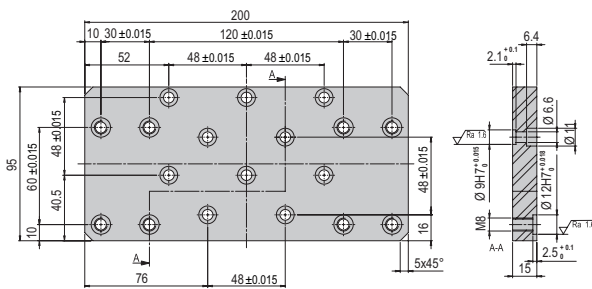
- 2x Centering bushing $\varnothing 9 \times 4$
- 4x Special screw M8 x 30/15
- 4x Mounting screw M4x20
- 4x Mounting screw M6x20

Order number

50272384

Net weight

0.789 kg



Included in the delivery

- 4x Centering bushing $\varnothing 9 \times 4$
- 4x Special screw M8 x 30/15
- 4x Mounting screw M6x20

Connection plate VP 144

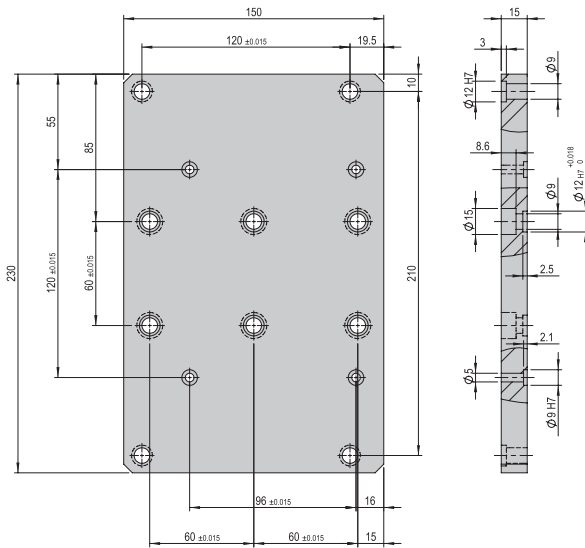
VP 144

Order number

50280005

Net weight

1.46 kg



Included in the delivery

- 2x Centering bushing $\text{\O}12 \times 4.8$
- 4x Mounting screw M6x20
- 4x Mounting screw M8x20
- 4x Mounting screw M8x30

Connection plate VP 145

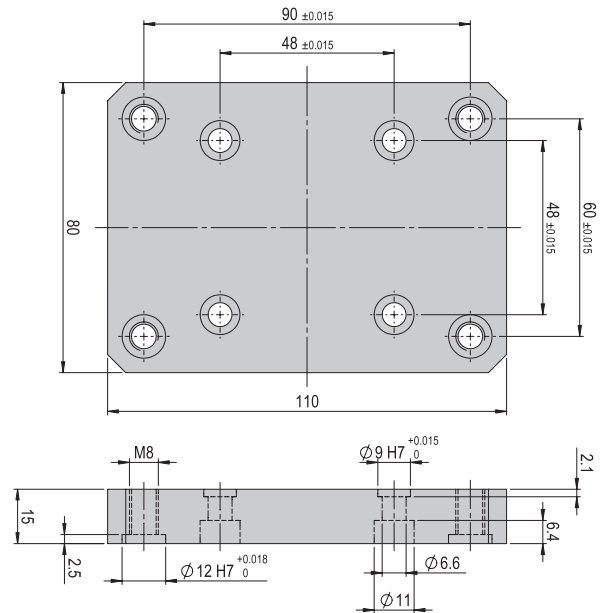
VP 145

Order number

50272309

Net weight

0.368 kg



Included in the delivery

- 2x Centering bushing $\text{\O}9 \times 4$
- 4x Mounting screw M6x20

Connection plate VP 146

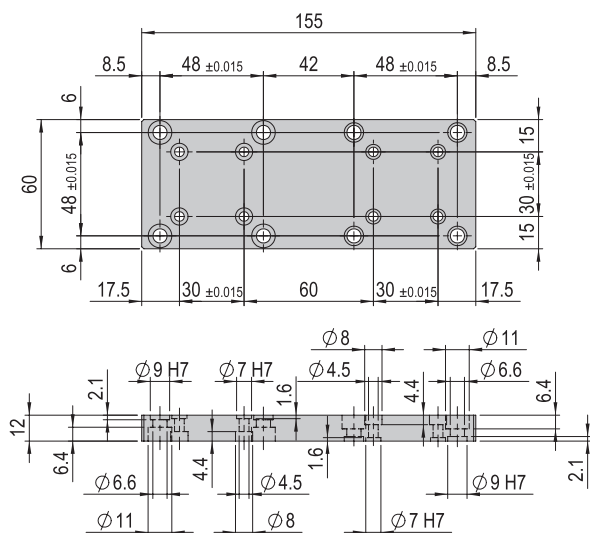
VP 146

Order number

50331960

Net weight

0.36 kg



Included in the delivery

- 4x Centering bushing $\text{\O}7 \times 3$
- 4x Centering bushing $\text{\O}9 \times 4$
- 8x Mounting screw M4x14
- 4x Mounting screw M6x12
- 8x Mounting screw M6x16

Connection plate VP 147

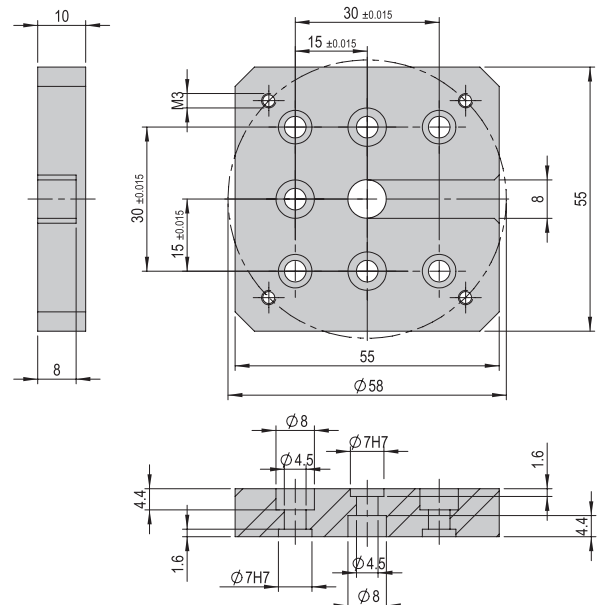
VP 147

Order number

50332006

Net weight

0.07 kg



Included in the delivery

- 2x Centering bushing $\text{\O}7 \times 3$
- 4x Mounting screw M4x14

Note: Connection plate, angle plates, flange plates can also be manufactured by the customer itself, please have a look at our website www.afag.com where you can download shop drawings free of charge.

Connection plate VP 148

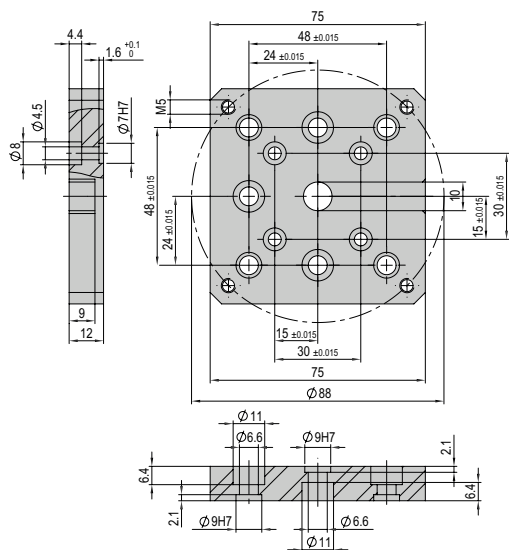
VP 148

Order number

50332008

Net weight

0.181 kg



Included in the delivery

- 2x Centering bushing $\Phi 9 \times 4$
- 4x Mounting screw M6x16

Connection plate VP 149

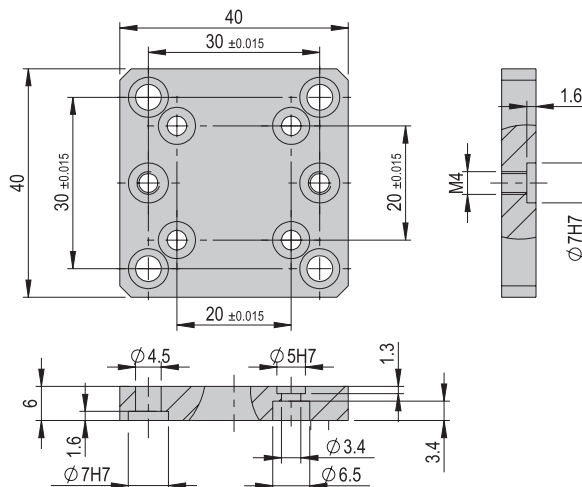
VP 149

Order number

50332010

Net weight

0.03 kg



Included in the delivery

- 2x Centering bushing $\Phi 7 \times 3$
- 4x Mounting screw M3x10
- 2x Mounting screw M4x10
- 4x Mounting screw M4x14
- 2x Centering bushing $\Phi 5 \times 2.5$

Connection plate VP 150

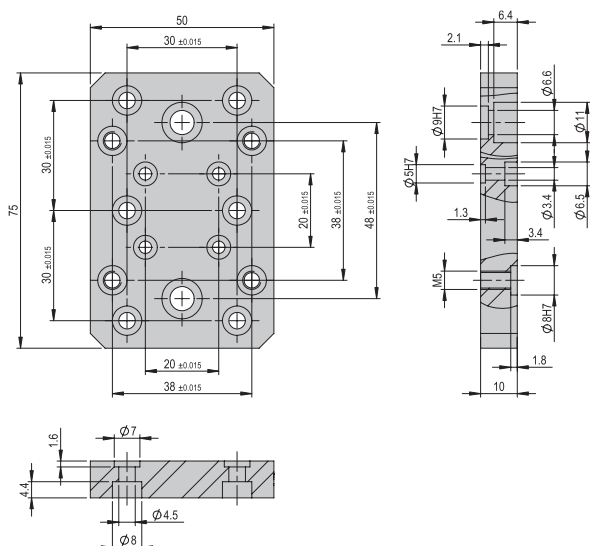
VP 150

Order number

50333787

Net weight

0.12 kg



Included in the delivery

- 2x Centering bushing $\Phi 7 \times 3$
- 2x Centering bushing $\Phi 9 \times 4$
- 4x Mounting screw M3x14
- 4x Mounting screw M4x12
- 2x Mounting screw M6x14
- 2x Centering bushing $\Phi 5 \times 2.5$

Connection plate VP 151

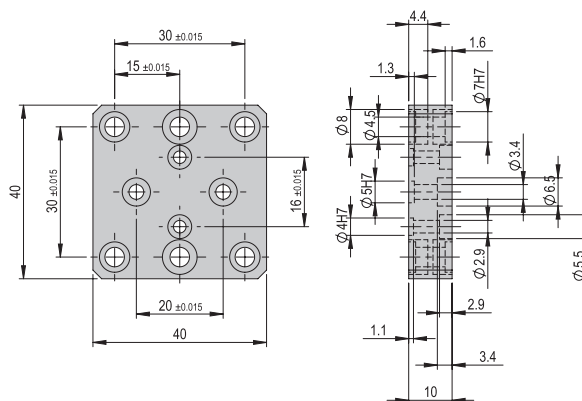
VP 151

Order number

50353062

Net weight

0.05 kg



Included in the delivery

- 2x Centering bushing $\Phi 7 \times 3$
- 2x Mounting screw M2.5x10
- 2x Mounting screw M3x10
- 6x Mounting screw M4x12

Connection plate VP 152

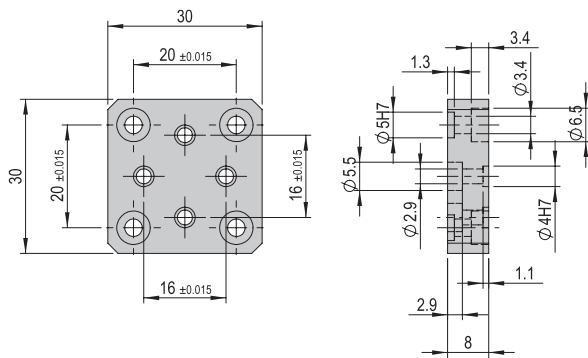
VP 152

Order number

50353197

Net weight

0.02 kg



Included in the delivery

- 2x Mounting screw M2.5x8
- 4x Mounting screw M3x10
- 2x Centering bushing Ø5x2.5

Connection plate VP 153

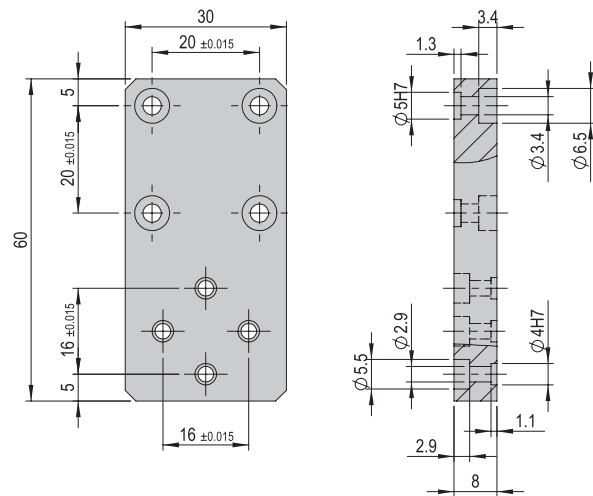
VP 153

Order number

50353229

Net weight

0.11 kg



Included in the delivery

- 2x Mounting screw M2.5x8
- 4x Mounting screw M3x10
- 2x Centering bushing Ø5x2.5

Connection plate VP 154

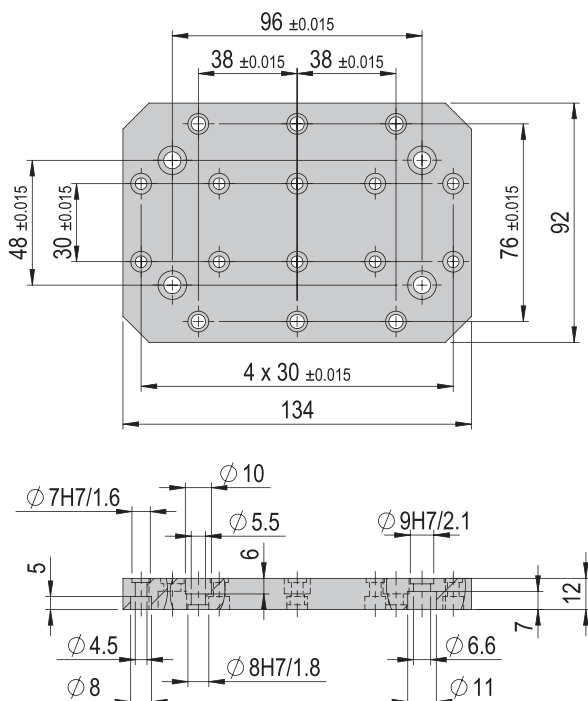
VP 154

Order number

50400907

Net weight

0.418 kg



Included in the delivery

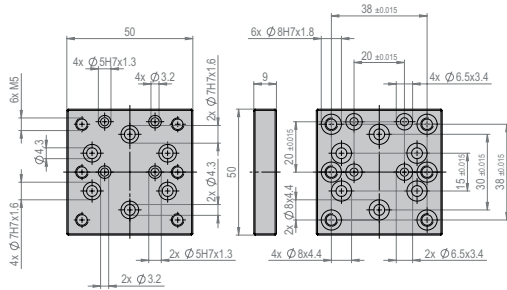
- 2x Centering bushing Ø7x3
- 2x Centering bushing Ø9x4
- 4x Mounting screw M4x14
- 6x Mounting screw M5x16
- 4x Mounting screw M6x16
- 2x Centering bushing Ø8x3.5

Note: Connection plate, angle plates, flange plates can also be manufactured by the customer itself, please have a look at our website www.afag.com where you can download shop drawings free of charge.

Connection plate VP 150 VP 157 VP 157

Order number 50572976

Net weight 0.066 kg



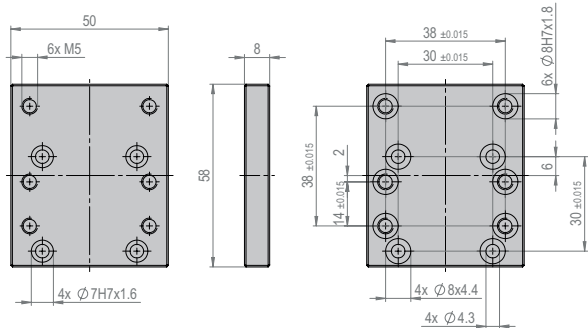
Included in the delivery

- 2x Centering bushing Ø5x2.5
- 2x Centering bushing Ø7x3
- 4x Mounting screw M3x12
- 4x Mounting screw M4x12

Connection plate VP 150 VP 158 VP 158

Order number 50572977

Net weight 0.066 kg



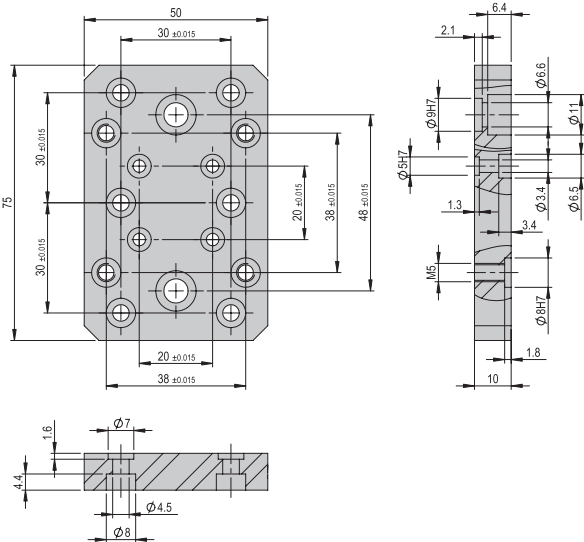
Included in the delivery

- 2x Centering bushing Ø7x3
- 4x Mounting screw M4x10

Connection plate VP 150 VP 159 VP 159

Order number 50572982

Net weight 0.113 kg



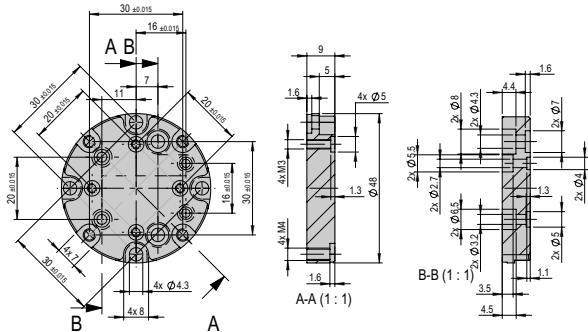
Included in the delivery

- 2x Centering bushing Ø9x4
- 2x Mounting screw M6x10
- 2x Mounting screw M6x14

Connection plate VP 150 VP 160 VP 160

Order number 50573133

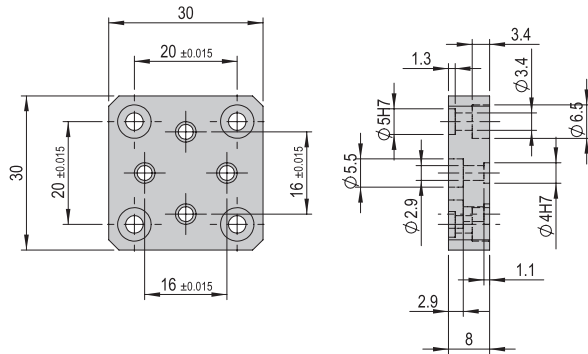
Net weight 0.05 kg



Included in the delivery

- 2x Centering bushing Ø4x2
- 2x Centering bushing Ø5x2.5
- 4x Centering bushing Ø7x3
- 2x Mounting screw M2.5x10
- 2x Mounting screw M3x10
- 4x Mounting screw M4x10 n.K.
- 2x Mounting screw M4x10

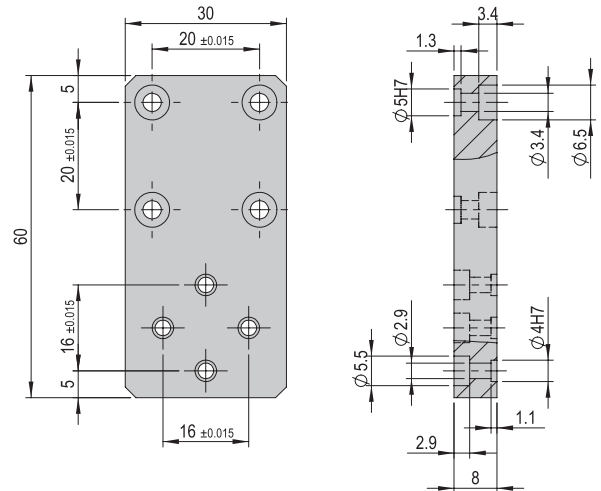
Connection plate VP 150 VP 161	VP 161
Order number	50547871
Net weight	0.012 kg



Included in the delivery

- 2x Centering bushing $\varnothing 5 \times 2.5$
- 2x Mounting screw M2.5x8
- 2x Mounting screw M3x10

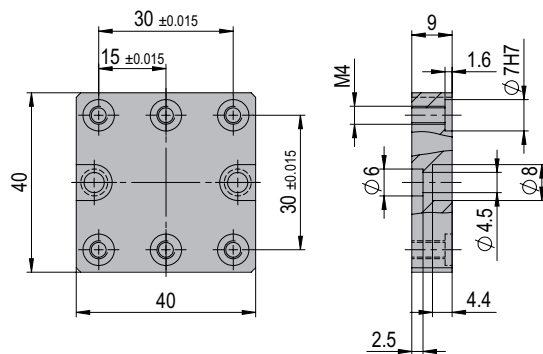
Connection plate VP 150 VP 162	VP 162
Order number	50547872
Net weight	0.04 kg



Included in the delivery

- 2x Centering bushing $\varnothing 7 \times 3$
- 2x Mounting screw M3x8
- 2x Mounting screw M4x10

Connection plate VP 163	VP 163
Order number	50578392
Net weight	0.046 kg



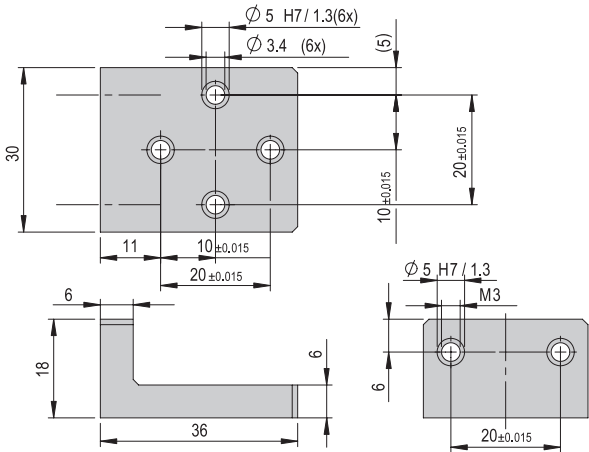
Included in the delivery

- 2x Centering bushing $\varnothing 7 \times 3$
- 4x Montageschrauben M4x12
- 2x Centering bushing SGE-40 SCH

Note: Connection plate, angle plates, flange plates can also be manufactured by the customer itself, please have a look at our website www.afag.com where you can download shop drawings free of charge.

Angle plates VW

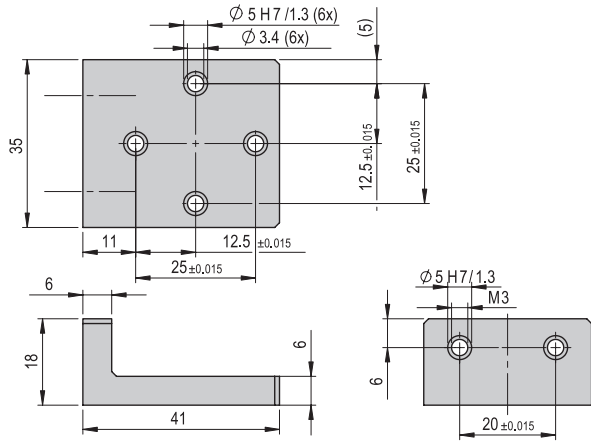
Angle plate VW 300	VW 300
Order number	50077143
Net weight	0.022 kg



Included in the delivery

- 2x Mounting screw M3x12
- 2x Centering bushing $\varnothing 5 \times 2.5$

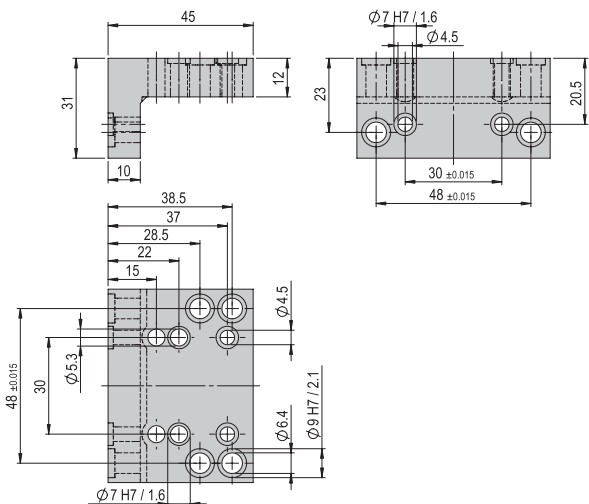
Angle plate VW 301	VW 301
Order number	50077144
Net weight	0.029 kg



Included in the delivery

- 2x Mounting screw M3x12
- 2x Centering bushing $\varnothing 5 \times 2.5$

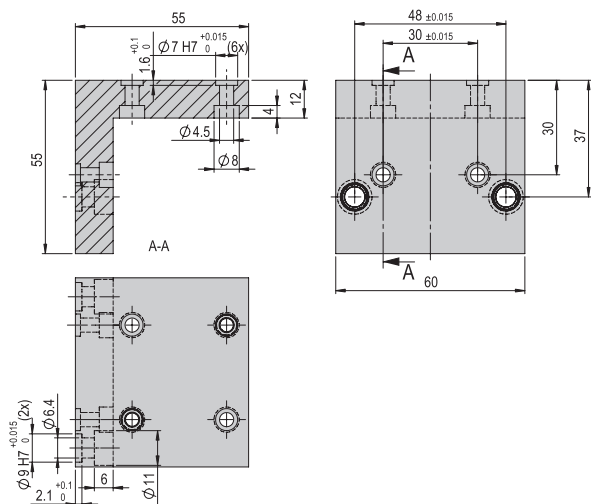
Angle plate VW 302	VW 302
Order number	11012241
Net weight	0.183 kg



Included in the delivery

- 4x Centering bushing $\varnothing 9 \times 4$
- 2x Mounting screw M4x18
- 2x Mounting screw M5x20
- 4x Mounting screw M6x18
- 4x Mounting screw M6x25
- 2x Ribbed washer M4
- 2x Ribbed washer M5
- 8x Ribbed washer M6

Angle plate VW 303	VW 303
Order number	50077145
Net weight	0.182 kg



Included in the delivery

- 2x Centering bushing $\varnothing 7 \times 3$
- 2x Centering bushing $\varnothing 9 \times 4$
- 6x Mounting screw M4x14
- 2x Mounting screw M6x18

Angle plate VW 304

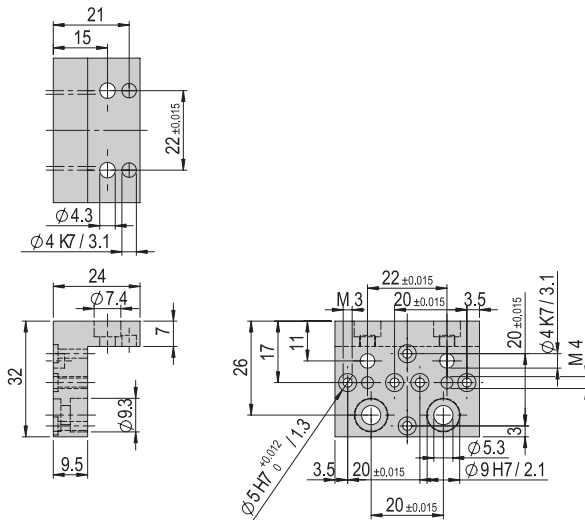
VW 304

Order number

11010702

Net weight

0.038 kg



Included in the delivery

- 2x Centering pin Ø4x6
- 2x Centering bushing Ø9x4
- 2x Mounting screw M4x8
- 2x Mounting screw M5x16

Angle plate VW 305

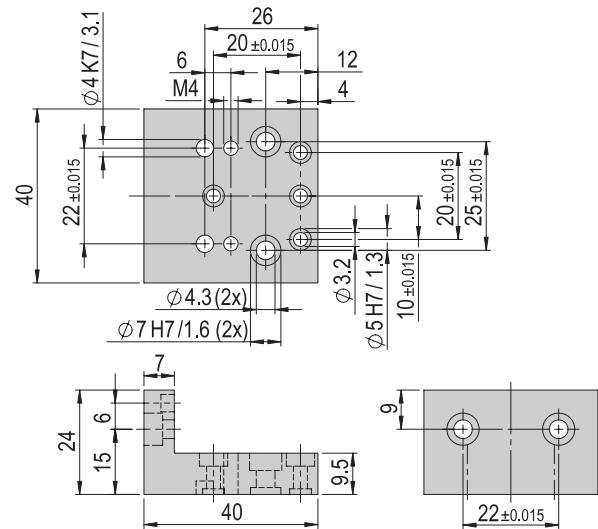
VW 305

Order number

50077224

Net weight

0.046 kg



Included in the delivery

- 2x Centering pin Ø4x6
- 2x Mounting screw M3x10
- 2x Mounting screw M3x16
- 2x Mounting screw M4x8
- 2x Centering bushing Ø5x2.5

Angle plate VW 308

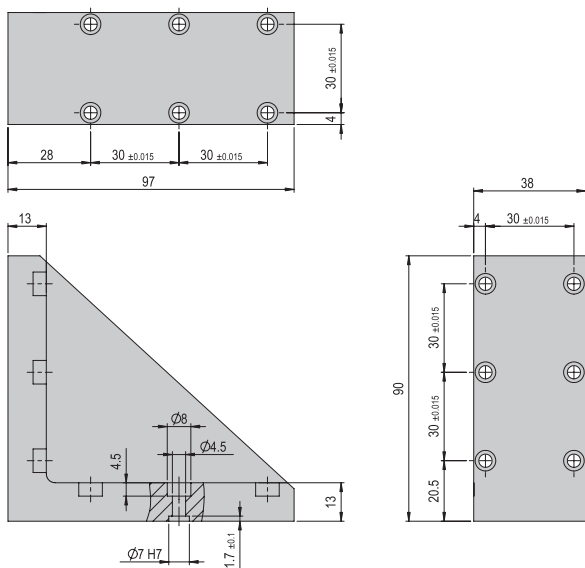
VW 308

Order number

50205299

Net weight

0.35 kg



Included in the delivery

- 4x Centering bushing Ø7x3
- 6x Mounting screw M4x14
- 6x Mounting screw M4x20

Angle plate VW 310

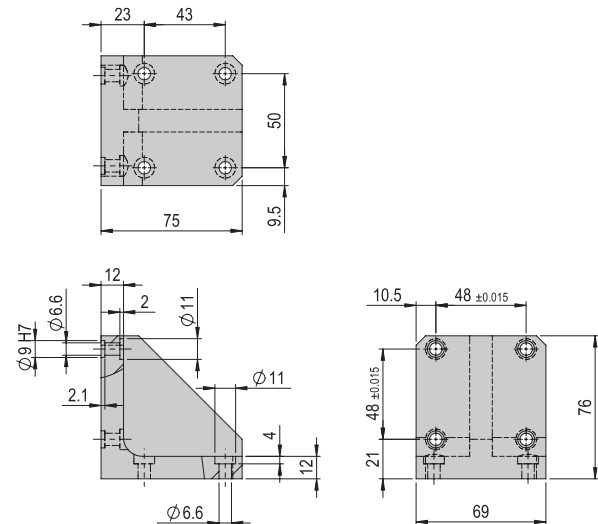
VW 310

Order number

50254008

Net weight

0.462 kg



Included in the delivery

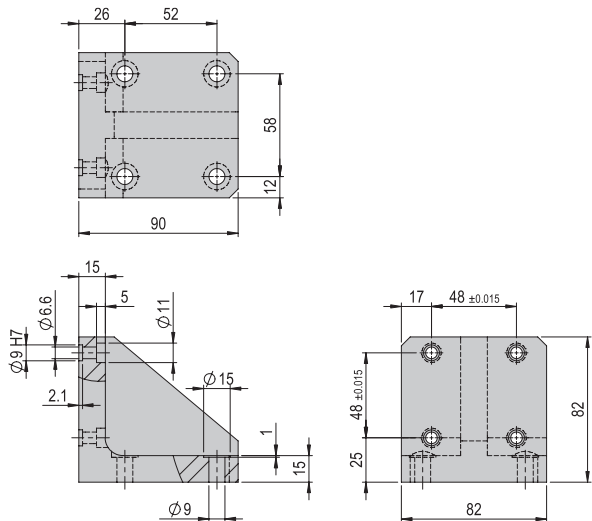
- 2x Centering bushing Ø9x4
- 2x Mounting screw M6x16
- 4x Mounting screw M6x20
- 4x T-nut M6

Note: Connection plate, angle plates, flange plates can also be manufactured by the customer itself, please have a look at our website www.afag.com where you can download shop drawings free of charge.

Angle plate VW 311 VW 311

Order number 50254009

Net weight 0.765 kg



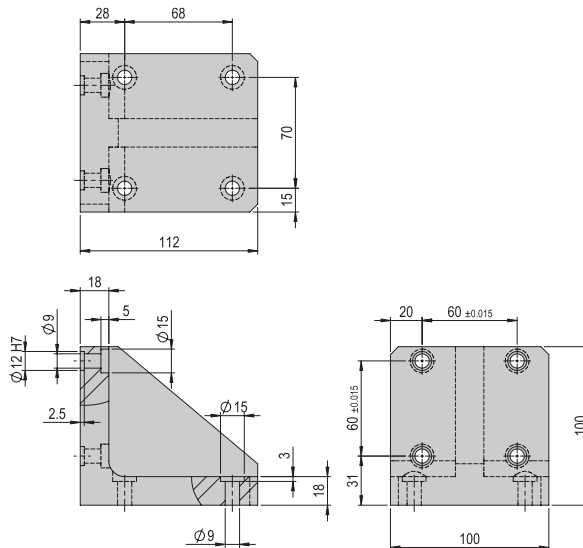
Included in the delivery

- 2x Centering bushing $\text{\O}9 \times 4$
- 4x Mounting screw M6x25
- 4x Mounting screw M8x25
- 4x T-nut M8

Angle plate VW 312 VW 312

Order number 50254010

Net weight 1.313 kg



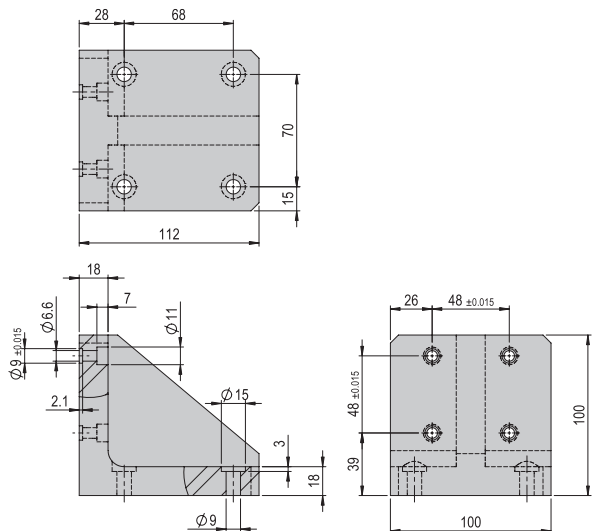
Included in the delivery

- 2x Centering bushing $\text{\O}12 \times 4.8$
- 4x Mounting screw M8x25
- 4x Mounting screw M8x30
- 4x T-nut M8

Angle plate VW 313 VW 313

Order number 50254011

Net weight 1.277 kg



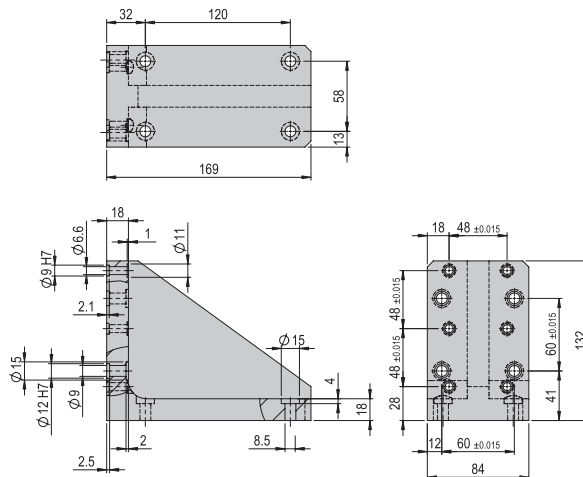
Included in the delivery

- 2x Centering bushing $\text{\O}9 \times 4$
- 4x Mounting screw M6x30
- 4x Mounting screw M8x25
- 4x T-nut M8

Angle plate VW 314 VW 314

Order number 50254012

Net weight 1.758 kg



Included in the delivery

- 2x Centering bushing $\text{\O}9 \times 4$
- 4x Mounting screw M6x30
- 4x Mounting screw M8x25
- 4x T-nut M8

Angle plate VW 315

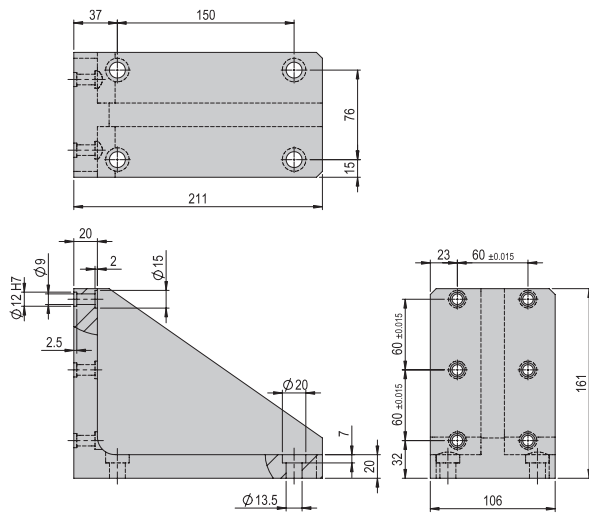
VW 315

Order number

50254013

Net weight

3.075 kg



Included in the delivery

- 2x Centering bushing $\phi 12 \times 4.8$
- 4x Mounting screw M8x35
- 4x Mounting screw M10x20
- 4x T-nut M10

Angle plate VW 316

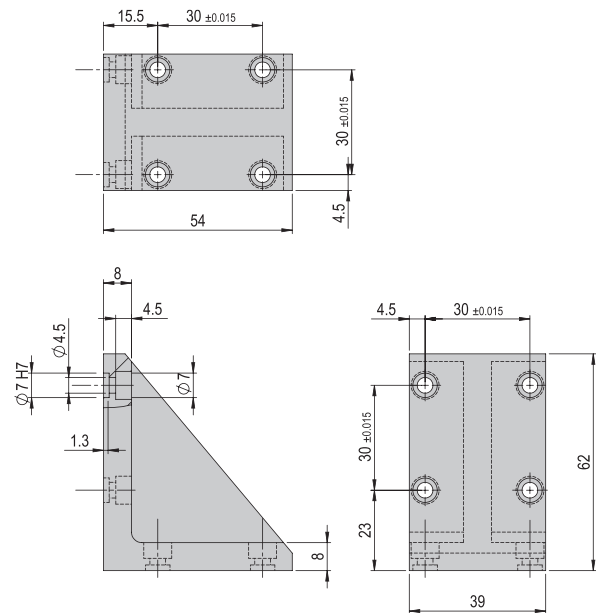
VW 316

Order number

50279234

Net weight

0.21 kg



Included in the delivery

- 2x Centering bushing $\phi 7 \times 3$
- 4x Mounting screw M4x14
- 4x Mounting screw M4x20

Angle plate VW 317

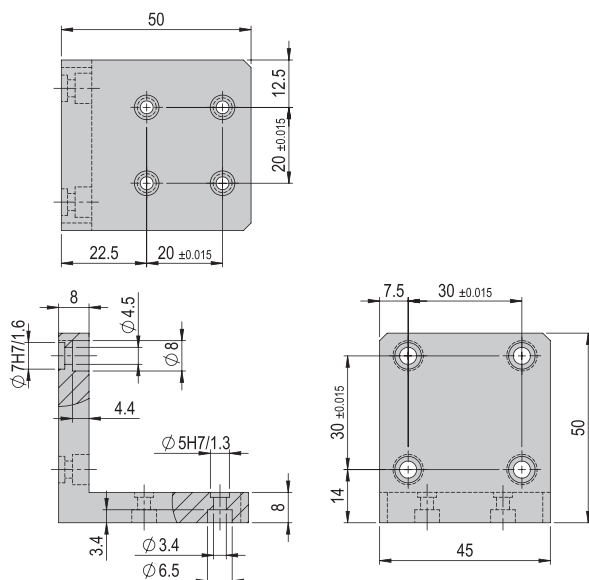
VW 317

Order number

50373127

Net weight

0.099 kg



Included in the delivery

- 2x Centering bushing $\phi 7 \times 3$
- 4x Mounting screw M3x12
- 4x Mounting screw M4x12
- 2x Centering bushing $\phi 5 \times 2.5$

Angle plate VW 318

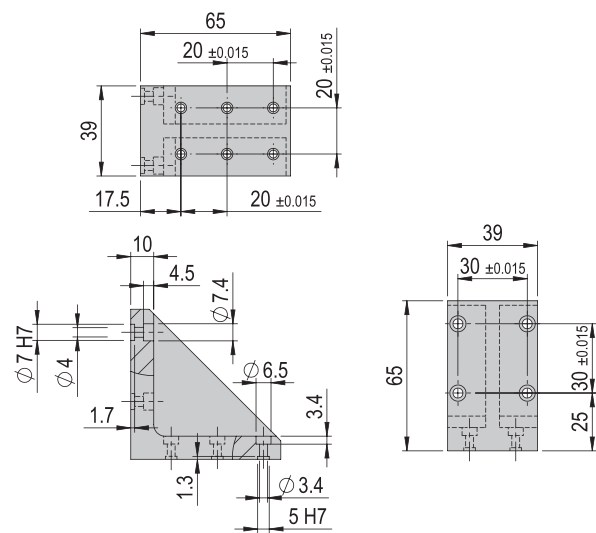
VW 318

Order number

50390283

Net weight

0.162 kg



Included in the delivery

- 2x Centering bushing $\phi 7 \times 3$
- 6x Mounting screw M3x14
- 4x Mounting screw M4x14
- 2x Centering bushing $\phi 5 \times 2.5$

Note: Connection plate, angle plates, flange plates can also be manufactured by the customer itself, please have a look at our website www.afag.com where you can download shop drawings free of charge.

Angle plate VW 319

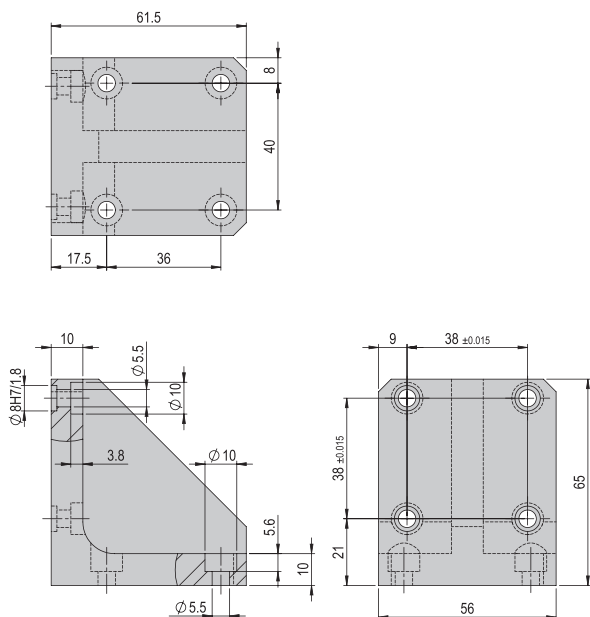
VW 319

Order number

50396474

Net weight

0.25 kg



Included in the delivery

- 2x Centering bushing $\varnothing 8 \times 3.5$
- 4x Mounting screw M5x10
- 4x Mounting screw M5x16
- 4x T-nut M5

Angle plate VW 320

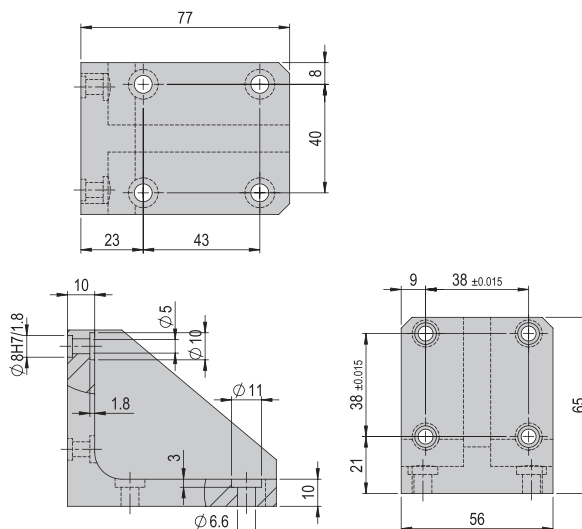
VW 320

Order number

50396475

Net weight

0.32 kg



Included in the delivery

- 4x Mounting screw M5x18
- 2x Centering bushing $\varnothing 8 \times 3.5$
- 4x Mounting screw M6x16
- 4x T-nut M6

Angle plate VW 321

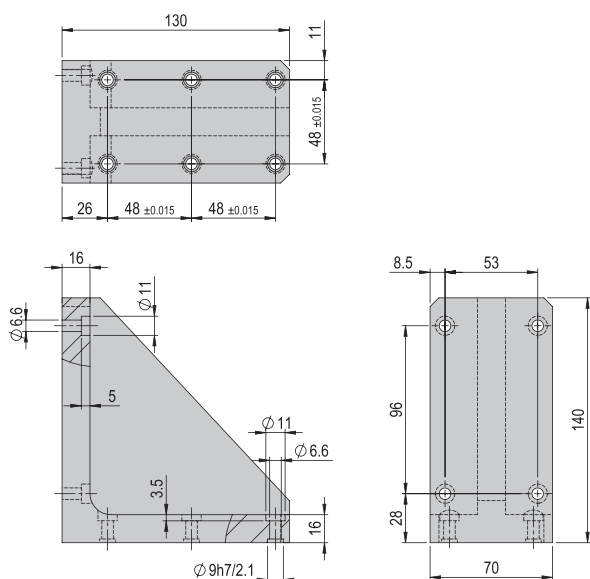
VW 321

Order number

50396476

Net weight

1.19 kg

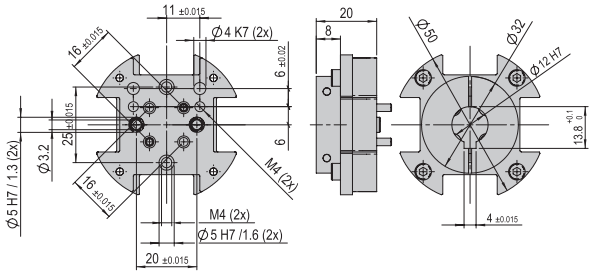


Included in the delivery

- 2x Centering bushing $\varnothing 9 \times 4$
- 4x Mounting screw M6x20
- 6x Mounting screw M6x25
- 4x T-nut M6

Flange plates VF

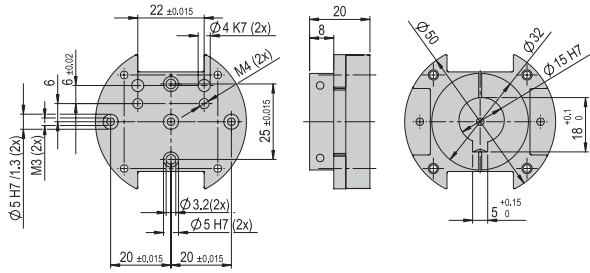
Flange plate VF 400	VF 400
Order number	50077146
Net weight	0.06 kg



Included in the delivery

- 2x Mounting screw M2.5x10
- 2x Mounting screw M3x12
- 2x Centering bushing Ø5x2.5

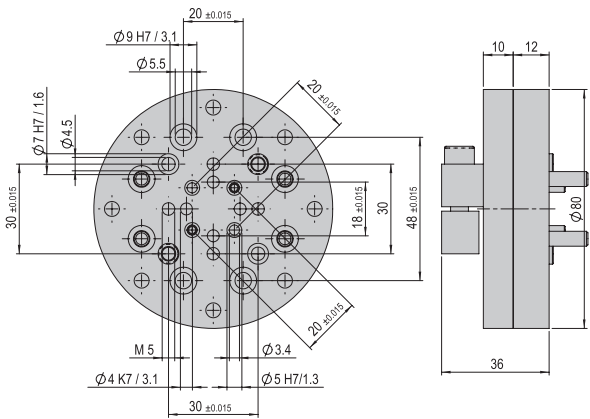
Flange plate VF 401	VF 401
Order number	50077147
Net weight	0.064 kg



Included in the delivery

- 2x Mounting screw M3x12
- 2x Centering bushing Ø5x2.5

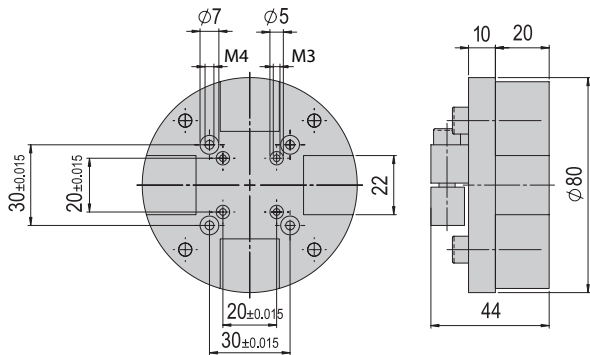
Flange plate VF 403	VF 403
Order number	50077217
Net weight	0.039 kg



Included in the delivery

- 2x Centering bushing Ø7x3
- 2x Centering bushing Ø9x4
- 2x Mounting screw M3x14
- 4x Mounting screw M4x16
- 4x Mounting screw M5x20

Flange plate VF 404	VF 404
Order number	50077218
Net weight	0.374 kg



Included in the delivery

- 2x Centering bushing Ø9x4
- 4x Mounting screw M5x25

Note: Connection plate, angle plates, flange plates can also be manufactured by the customer itself, please have a look at our website www.afag.com where you can download shop drawings free of charge.

Flange plate VF 405

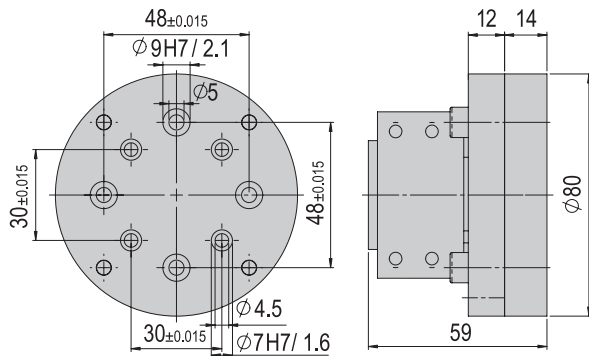
VF 405

Order number

50077219

Net weight

0.527 kg



Included in the delivery

- 4x Mounting screw M4x20

Flange plate VF 406

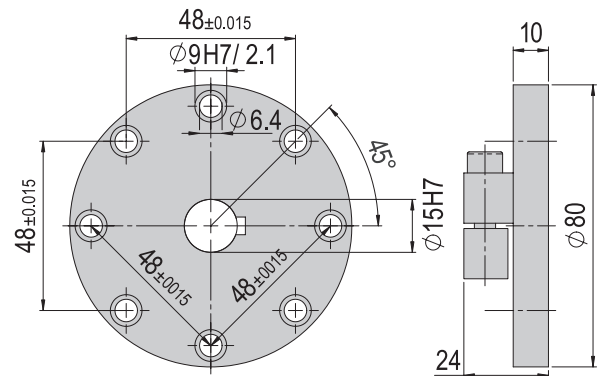
VF 406

Order number

50077220

Net weight

0.173 kg



Included in the delivery

- 2x Centering bushing Ø9x4
- 4x Mounting screw M6x18
- 4x Mounting screw M6x25

Flange plate VF 407

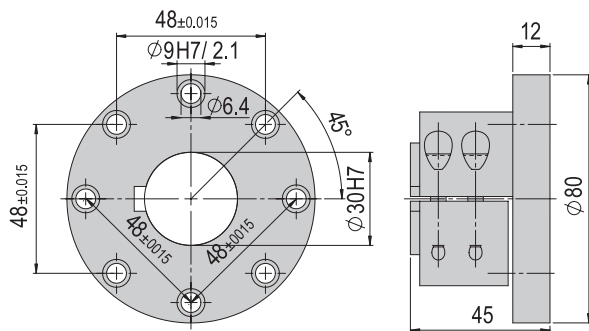
VF 407

Order number

11001847

Net weight

0.274 kg



Included in the delivery

- 2x Centering bushing Ø9x4
- 4x Mounting screw M6x25

Flange plate VF 409

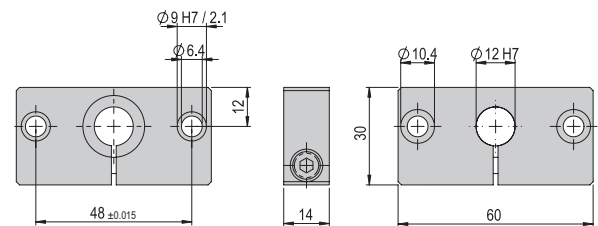
VF 409

Order number

11001825

Net weight

0.075 kg



Included in the delivery

- 2x Centering bushing Ø9x4
- 4x Mounting screw M6x20

Flange plate VF 410

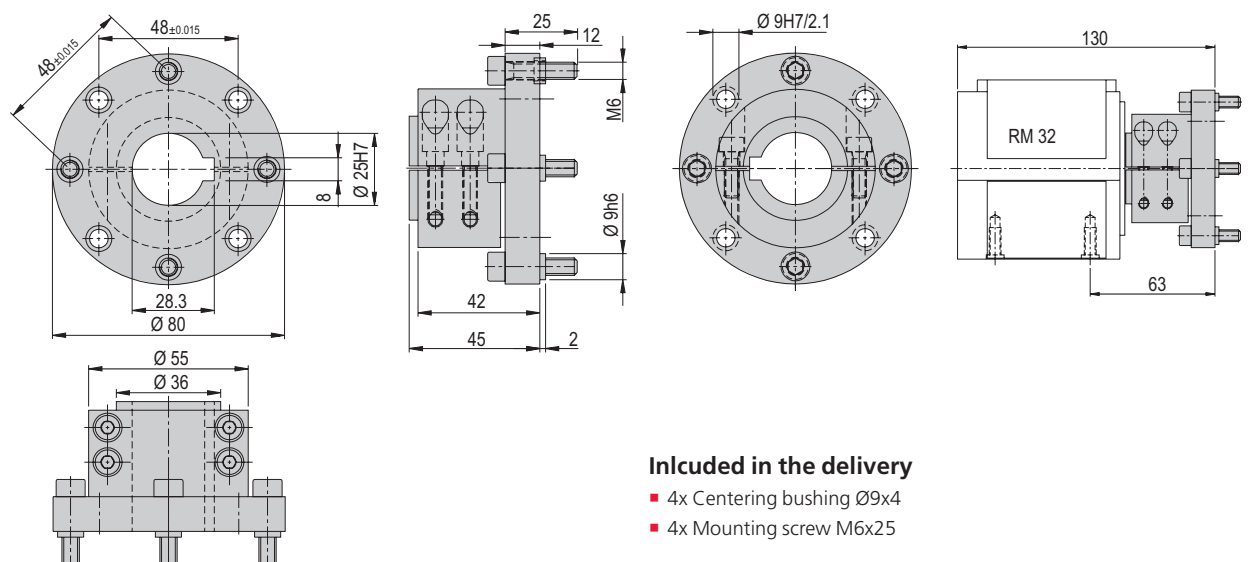
VF 410

Order number

11001821

Net weight

0.32 kg



Included in the delivery

- 4x Centering bushing Ø9x4
- 4x Mounting screw M6x25

Connecting set VS

Connecting set VS 500	VS 500
Order number	50074821
Net weight	0.01 kg

Included in the delivery

- 4x Special screw M4 x 18/9

Connecting set VS 502	VS 502
Order number	50074823
Net weight	0.01 kg

Included in the delivery

- 4x Special screw M6 x 20/11

Connecting set VS 504	VS 504
Order number	50074825
Net weight	0.18 kg

Included in the delivery

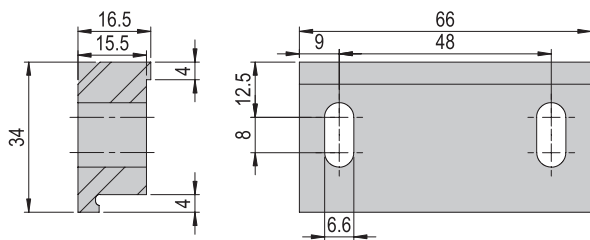
- 4x Mounting screw M8x30
- 4x Mounting screw M8x40
- 4x T-nut M8

Connecting set VS 506	VS 506
Order number	50077086
Net weight	0.01 kg

Included in the delivery

- 2x Special screw M6 x 36/8

Connecting set VS 508	VS 508
Order number	50254005
Net weight	0.077 kg
Suitable for	PEZ-65



Included in the delivery

- 4x Mounting screw M6x30
- 2x Washer M6
- 1x Clamping jaws PEZ-65

Connecting set VS 501	VS 501
Order number	50074822
Net weight	0.01 kg

Included in the delivery

- 4x Special screw M6 x 36/8

Connecting set VS 503	VS 503
Order number	50074824
Net weight	0.005 kg

Included in the delivery

- 2x Special screw M3 x 10/4

Connecting set VS 505	VS 505
Order number	50074827
Net weight	0.044 kg

Included in the delivery

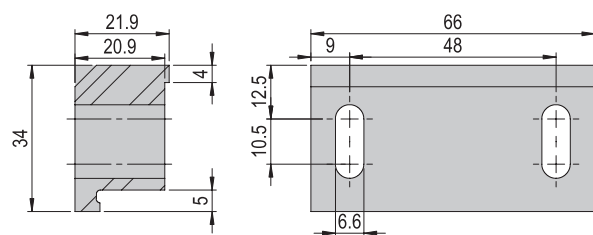
- 4x Mounting screw M4x25
- 4x Mounting screw M5x35
- 4x T-nut M4

Connecting set VS 507	VS 507
Order number	50077087
Net weight	0.01 kg

Included in the delivery

- 2x Special screw M6 x 56/11

Connecting set VS 509	VS 509
Order number	50254006
Net weight	0.287 kg
Suitable for	PEZ-80, PEZ-100, PDZ-160

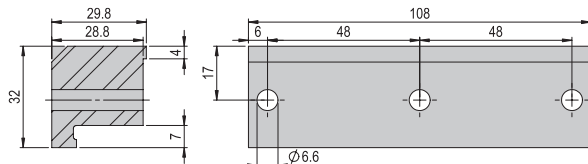


Included in the delivery

- 2x Mounting screw M6x35
- 2x Washer M6
- 1x Clamping jaws PEZ-80/100 PDZ-160

Connecting set VS

Connecting set VS 510	VS 510
Order number	50254007
Net weight	0.256 kg
Suitable for	PDZ-200



Included in the delivery

- 3x Mounting screw M6x45
- 2x Washer M6
- 1x Clamping jaws PDZ-200

Connecting set VS 511	VS 511
Order number	50332465
Net weight	0.03 kg

Included in the delivery

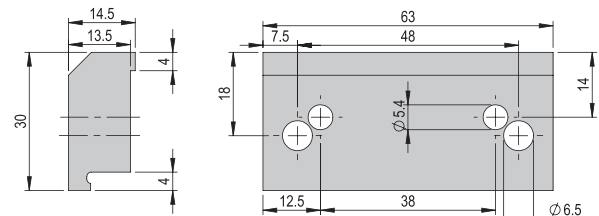
- 2x Special screw M6 x 25/9

Connecting set VS 512	VS 512
Order number	50353058
Net weight	0.01 kg

Included in the delivery

- 2x Special screw M4 x 16/5

Connecting set VS 513	VS 513
Order number	50396482
Net weight	0.089 kg
Suitable for	PEZ-52, PDZ-128



Included in the delivery

- 2x Mounting screw M5x25
- 2 Mounting screw M6x25
- 2x Washer M5
- 2x Washer M6
- 1x Clamping jaws PEZ-52 & PDZ-128

Connecting set VS 514	VS 514
Order number	50401765
Net weight	0.005 kg

Included in the delivery

- 2x Special screw M2.5 x 10/5

Connecting set VS 515	VS 515
Order number	50403642
Net weight	0.05 kg

Included in the delivery

- 2x Special screw M2.5 x 22/5-10

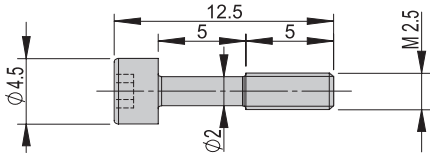
Note: Connection plate, angle plates, flange plates can also be manufactured by the customer itself, please have a look at our website www.afag.com where you can download shop drawings free of charge.

Special screws

Special screw M2.5x10/5

Order number 50389779

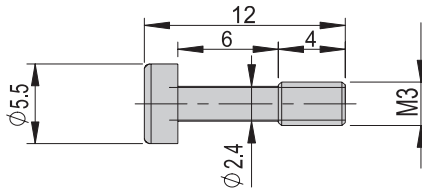
Net weight 0.001 kg



Special screw M3x10/4

Order number 50040978

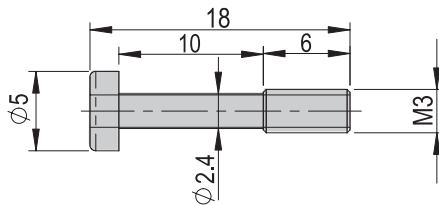
Net weight 0.001 kg



Special screw M3x16/6

Order number 50035812

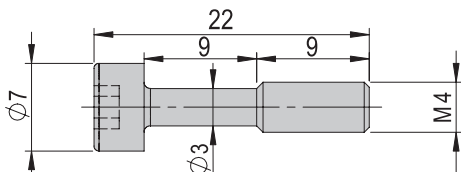
Net weight 0.001 kg



Special screw M4x18/9

Order number 50001373

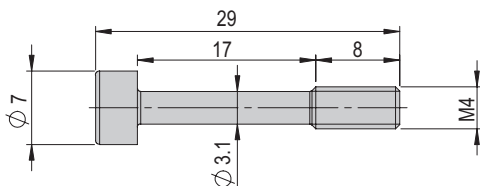
Net weight 0.002 kg



Special screw M4x25/8

Order number 50060095

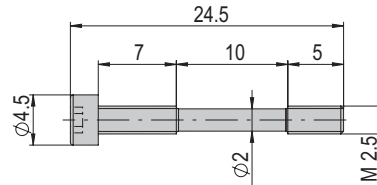
Net weight 0.002 kg



Special screw M2.5x22/5-10

Order number 50403640

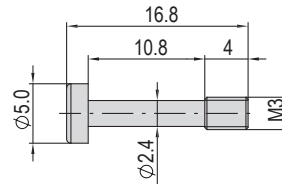
Net weight 0.001 kg



Special screw M3x14.8/4

Order number 50473379

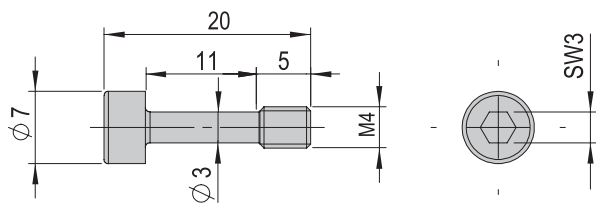
Net weight 0.001 kg



Special screw M4x16/5

Order number 50353043

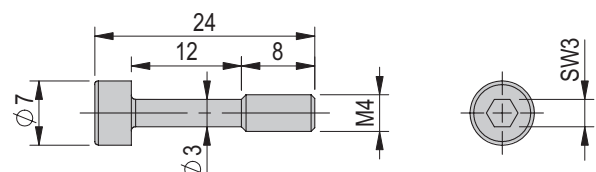
Net weight 0.002 kg



Special screw M4x20/8

Order number 50101005

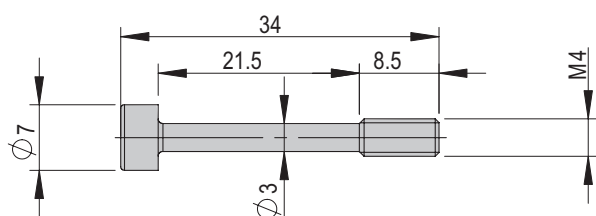
Net weight 0.002 kg



Special screw M4x30/8.5

Order number 50001374

Net weight 0.003 kg

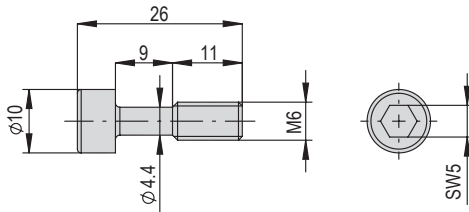


Special screws

Special screw M6x20/11

Order number 50035662

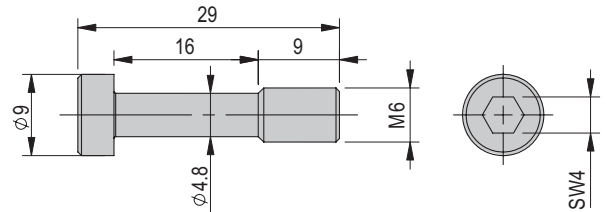
Net weight 0.006 kg



Special screw M6x25/9

Order number 50101720

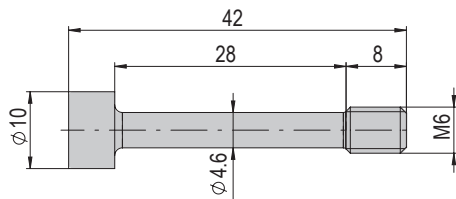
Net weight 0.005 kg



Special screw M6x36/8

Order number 11005014

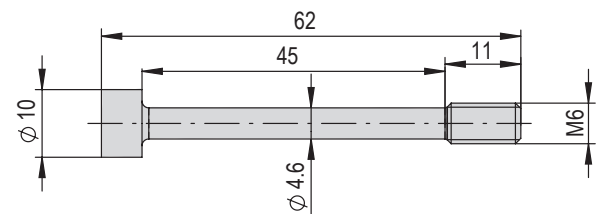
Net weight 0.001 kg



Special screw M6x56/11

Order number 11005015

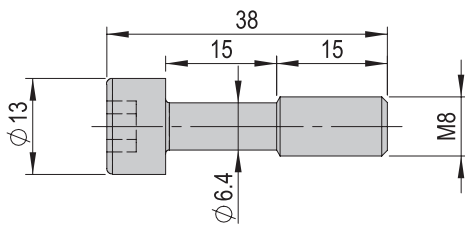
Net weight 0.001 kg



Special screw M8x30/15

Order number 50332560

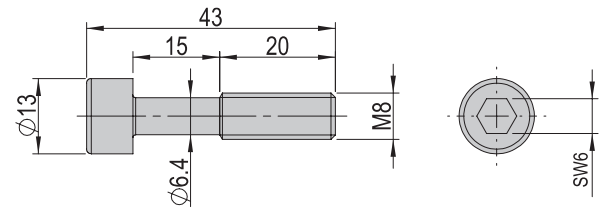
Net weight 0.016 kg



Special screw M8x35/15

Order number 50244904

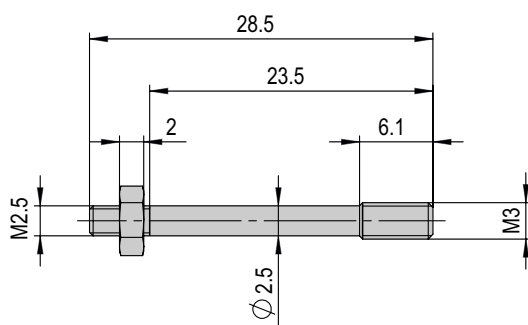
Net weight 0.002 kg



Special screw M3x23 5/6

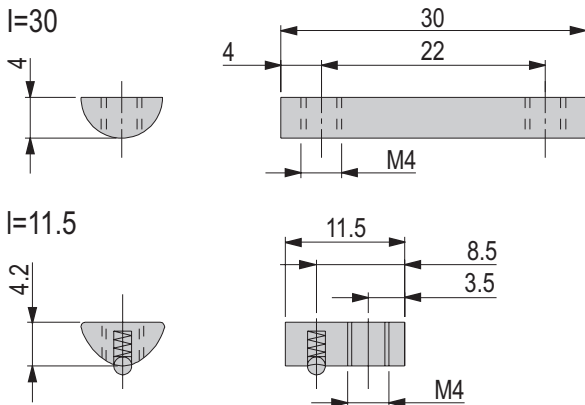
Order number 50561844

Net weight 0.002 kg

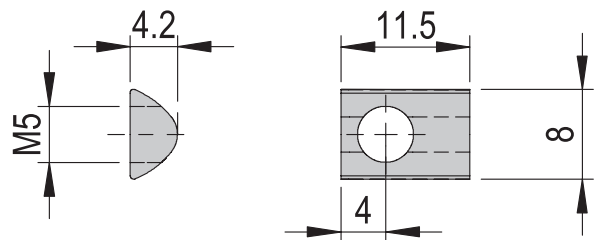


T-nuts

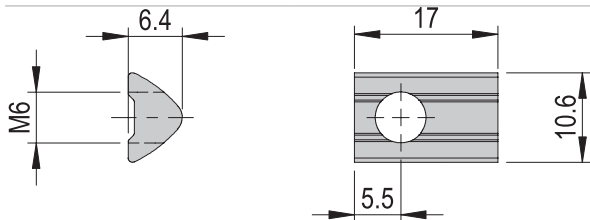
T-nuts M4	long	short
Order number	11014646	11002448
Net weight	0.01 kg	0.01 kg
Suitable for	PMP-c	PMP-c



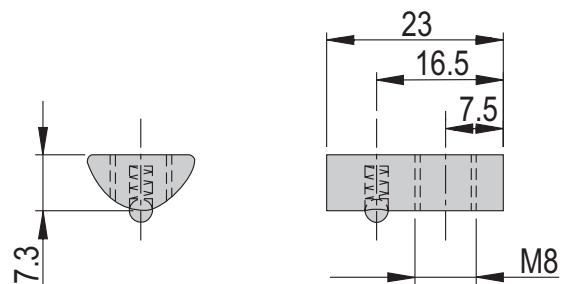
T-nut M5	
Order number	11011070
Net weight	0.001 kg
Suitable for	PEZ-52 PEZ-65, PDZ-128 side slot



T-nut M6	
Order number	50252676
Net weight	0.004 kg
Suitable for	PEZ-65 PEZ-80, PEZ-100, PDZ-160 side slot PDZ-128 bottom



T-nut M8	
Order number	11002452
Net weight	0.009 kg
Suitable for	PEZ-80, PEZ-100, PDZ-160, PMP PDZ-200 side slot



T-nut M10	
Order number	50252678
Net weight	0.035 kg
Suitable for	PDZ-200

