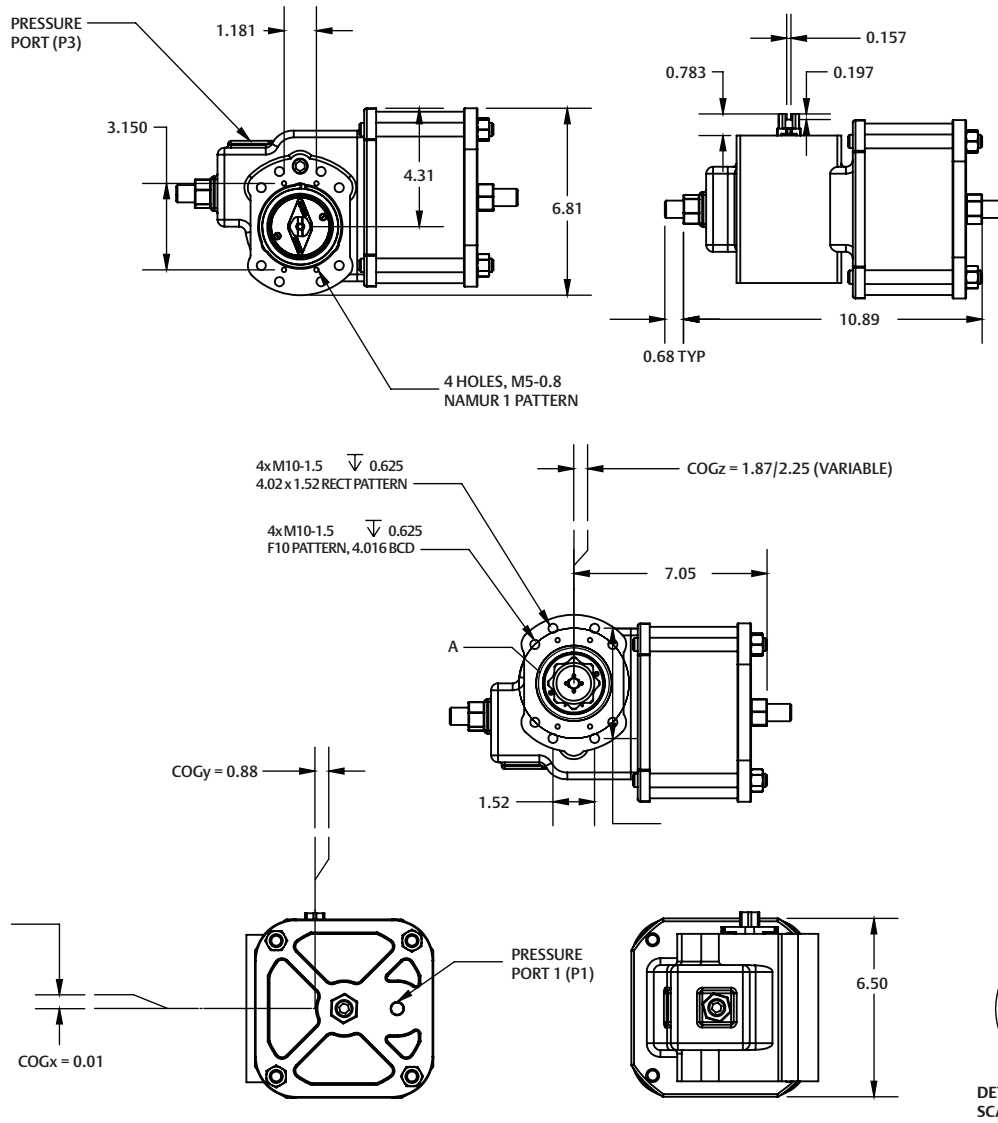


Bettis RGS Series

Cut Sheet Drawing



Technical Data	
Weight (Lbs)	29
Air Port Size	1/4" NPT
Air Volumes End Cap Port (cu.in.)	59
Air Volumes Body Port (cu.in.)	111
Piston Diameter (in.)	6
Piston Stroke (in.)	1.7
Normal Stroke Speed (seconds)*	1
Max Pressure (psi)	150
Max Temperature °F	185
Min Temperature °F	-20
* Depends upon SOV C _v	

Mounting Dimensions	
Qty. Threaded Holes	4
Threads	M10-1.5
BCD	4.02 (102 mm)
Depth	0.88 (22.2 mm)
ISO Pattern	F10

Shaft - Both Ends	
Double Square Female	1.42 (36 mm)
Double Square Depth	1.0 (25.4 mm)
ISO Size	F14

Materials of Construction	
Body	Ductile Iron
Cylinder	Composite
End Cap	Ductile Iron
Piston	Ductile Iron (Zinc-Plated)
Shaft	CF8M
Rack	CF8M
Piston Bolt	304 Stainless Steel
Fasteners	304 Stainless Steel
Pins and Rollers	304 Stainless Steel (QPQ Nitrided)
O-rings	Buna-N
Bushings	Virgin PTFE Acetal

Replacement Seal Kit	Qty.
SKB207D-01	1

Torque Values					
Air Torque 60 psi			Air Torque 80 psi		
Air Start	Run	Air End	Air Start	Run	Air End
1,713	1,713	1,713	2,284	2,284	2,284