

Adjusting stops

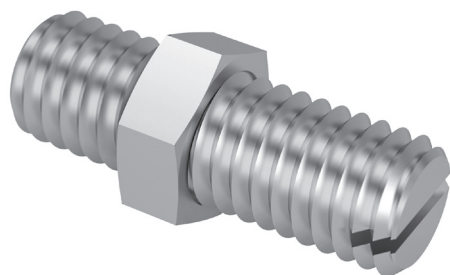
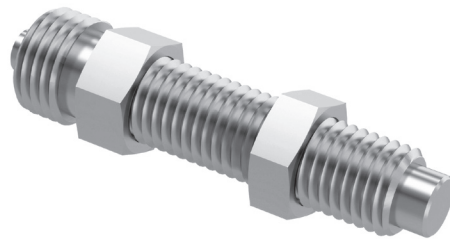


Table of contents: Adjusting stops

Adjusting stops	Page
Stop sleeves ASH	65
Stop screw AS	66
Steel stop ASS	67
Adjusting stop pin	68

	50600915	50600933	50286115	50098367	50287664	50100898	50287968	50224961	11011202	11004991	11004992	11004993	11004994	11017149	50465413	50465467	50036780	50045855	50046516	11009229	11009230	
	ASH M7x0.5	ASH M8x0.5	ASH M8x1-1	ASH M10x1-1	ASH M10x1-2	ASH M12x1-1	ASH M16x1-1	ASH M18x1-1	AS 08/15	AS 08/25	AS 08/40	AS 08/80	AS 12/60	ASC 08/30	ASS-03/25	ASS-04/25	ASS 05/12	ASS 05/22	ASS 05/37	M8x1/25	M8x1/40	
CS 8	■														■		■	■	■			
CS 12		■														■						
CS 16			■																			
CS 20				■																		
CS 25					■																	
LM 12								■		■	■	■									■	■
LM 16										■	■	■										
LM 20										■	■	■										
LM 25											■											
LM 32													■									
HM 10			■											■								
HM 16				■																		
HM 25					■																	
PMP													■									
PMP-c											■											
CR 12																						
CR 16																						
CR 20																						
CR 25																						
CR 32																						
RM 12										■												
RMZ 12														■								
RM 16											■											
RM 25											■											
RM 32													■									
GMQ 12									■	■											■	
GMQ 20									■	■											■	
GMQ 32									■	■											■	

ASH: Stop sleeve
 ASC, AS: Stop screw
 ASS: Steel stop

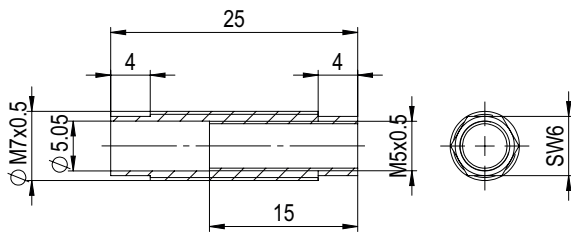
Stop sleeves

Stop sleeve ASH M7x0.5

Order number 50600915

Net weight 0.004 kg

Suitable for CS 8



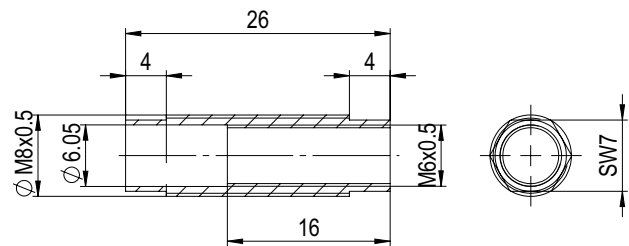
Note: The ASH stop sleeves may only be operated with the shock absorbers!

Stop sleeve ASH M8x0.5

Order number 50600933

Net weight 0.004 kg

Suitable for CS 12



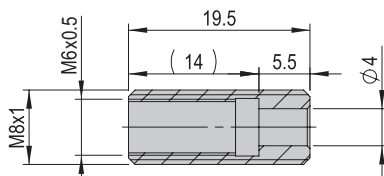
Note: The ASH stop sleeves may only be operated with the shock absorbers!

Stop sleeve ASH M8x1 -1

Order number 50286115

Net weight 0.004 kg

Suitable for HM 10



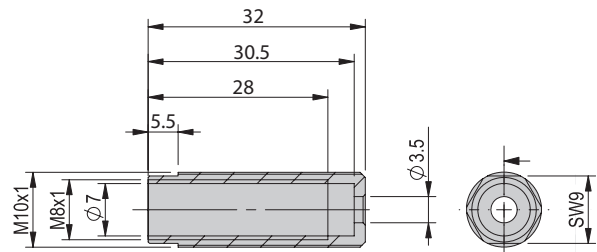
Note: The ASH stop sleeves may only be operated with the shock absorbers!

Stop sleeve ASH M10x1 -1

Order number 50098367

Net weight 0.009 kg

Suitable for CS 16



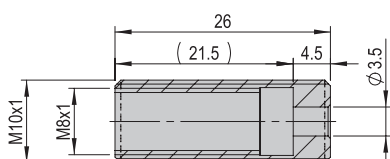
Note: The ASH stop sleeves may only be operated with the shock absorbers!

Stop sleeve ASH M10x1 -2

Order number 50287664

Net weight 0.008 kg

Suitable for HM 16



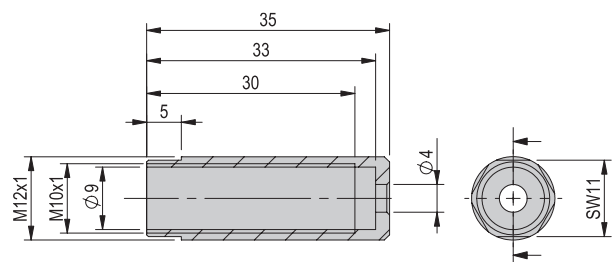
Note: The ASH stop sleeves may only be operated with the shock absorbers!

Stop sleeve ASH M12x1 -1

Order number 50100898

Net weight 0.014 kg

Suitable for CS 20



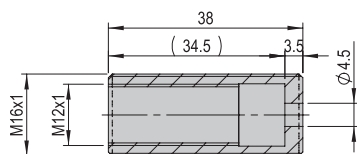
Note: The ASH stop sleeves may only be operated with the shock absorbers!

Stop sleeve ASH M16x1 -1

Order number 50287968

Net weight 0.031 kg

Suitable for HM 25



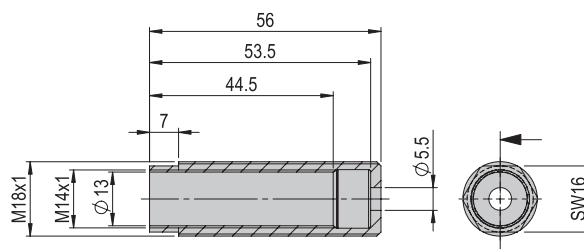
Note: The ASH stop sleeves may only be operated with the shock absorbers!

Stop sleeve ASH M18x1 -1

Order number 50224961

Net weight 0.017 kg

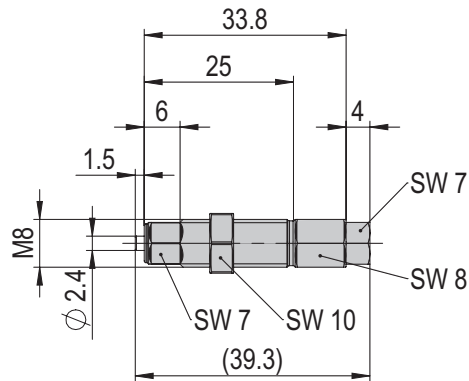
Suitable for CS 25



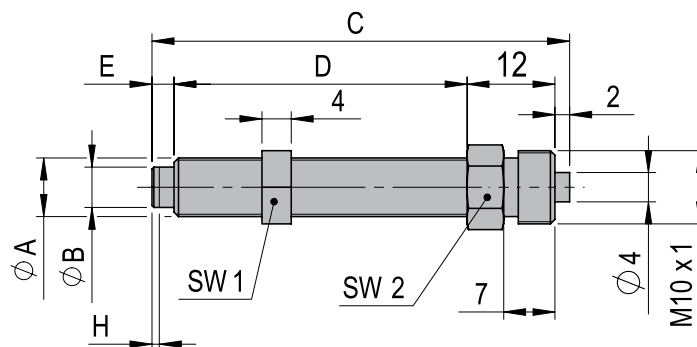
Note: The ASH stop sleeves may only be operated with the shock absorbers!

Stop screw

Stop screw ASC	ASC 08/25
Order number	50421608
Net weight	0.01 kg
Suitable for	RMZ 12

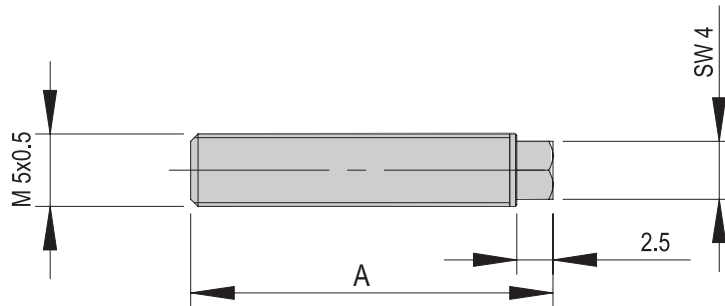


Stop screw AS	AS 08/15	AS 08/25	AS 08/40	AS 08/80	AS 12/60
Order number	11011202	11004991	11004992	11004993	11004994
Net weight	0.03 kg	0.02 kg	0.02 kg	0.04 kg	0.1 kg
Repeat accuracy	+/- 0.01 mm	+/- 0.01 mm	+/- 0.01 mm	+/- 0.01 mm	+/- 0.01 mm
Suitable for	GMQ 12, GMQ 20, GMQ 32	RM 12, LM 12, LM 16, LM 20	RM 16, RM 25 LM 12, LM 16, LM 20, LM 25 PMP-c	LM 12, LM 16, LM 20	RM 32, RM 63 LM 32
A	M8 x 1 mm	M8 x 1 mm	M8 x 1 mm	M8 x 1 mm	M12 x 1 mm
B	5.5 mm	5.5 mm	5.5 mm	5.5 mm	8 mm
C	32 mm	42 mm	57 mm	97 mm	78 mm
D	15 mm	25 mm	40 mm	80 mm	60 mm
E	3 mm	3 mm	3 mm	3 mm	4 mm
H	1 mm	1 mm	1 mm	1 mm	1 mm
SW 1	10 mm	10 mm	10 mm	10 mm	12 mm
SW 2	10 mm	10 mm	10 mm	10 mm	14 mm

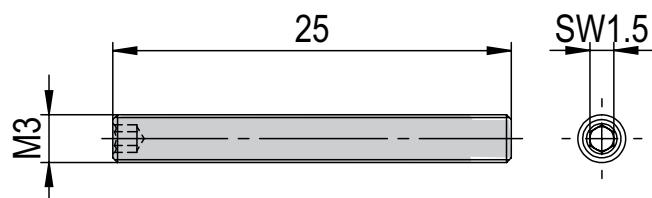


Steel stop

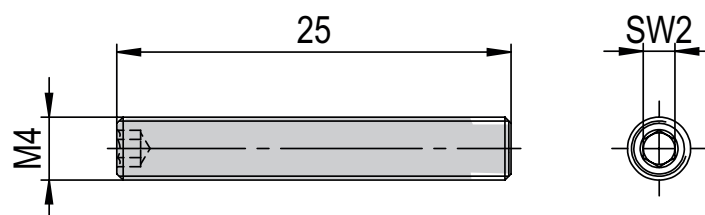
Steel stop	ASS 05/12	ASS 05/22	ASS 05/37
Order number	50036780	50045855	50046516
Net weight	0.002 kg	0.003 kg	0.005 kg
Suitable for	CS 8	CS 8	CS 8
A	16 mm	25 mm	40 mm



Steel stop	ASS 03/25
Order number	50465413
Net weight	0.001 kg
Suitable for	CS 8



Steel stop	ASS 04/25
Order number	50465467
Net weight	0.002 kg
Suitable for	CS 12



Adjusting stop pin

Adjusting stop pin M8x1/25

Order number

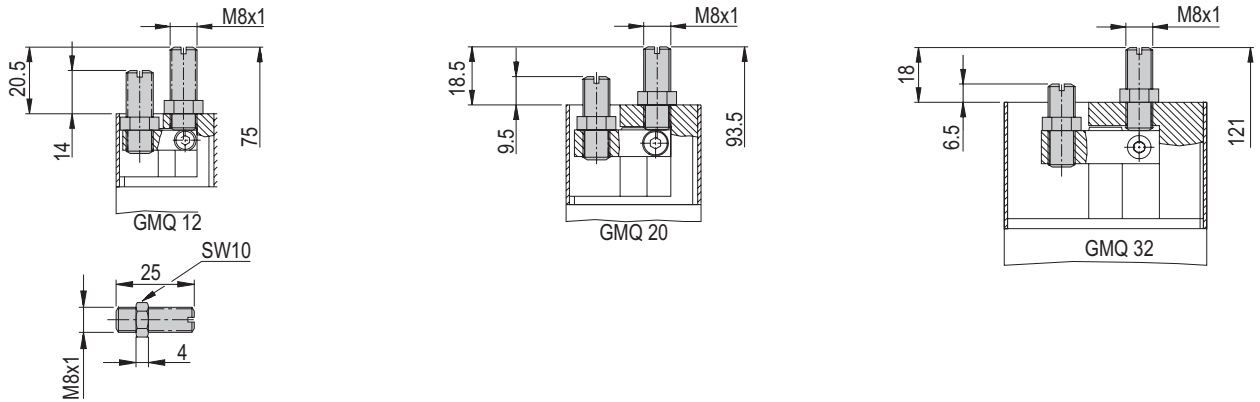
11009229

Net weight

0.01 kg

Suitable for

LM 12
GMQ 12, GMQ 20, GMQ 32



Adjusting stop pin M8x1/40

Order number

11009230

Net weight

0.016 kg

Suitable for

LM 12

