

1 **UK-TYPE EXAMINATION CERTIFICATE**

2 **Equipment or Protective System Intended for use in Potentially Explosive Atmospheres**
UKSI 2016:1107 (as amended) – Schedule 3A, Part 1

3 UK-Type Examination Certificate Number: **BAS21UKEX0421X**

4 Product: **Series 10/20 GO Switch**

5 Manufacturer: **Topworx Incorporated**

6 Address: **3300 Fern Valley Road, Louisville, Kentucky 40213 USA**

7 This product and any acceptable variation thereto is specified in the schedule to this certificate and the documents therein referred to.

8 SGS Baseefa, Approved Body number 1180, in accordance with Regulation 43 of the Equipment and Protective Systems Intended for Use in Potentially Explosive Atmospheres Regulations 2016, UKSI 2016:1107 (as amended), certifies that this product has been found to comply with the Essential Health and Safety Requirements relating to the design and construction of products intended for use in potentially explosive atmospheres given in Schedule 1 of the Regulations.

The examination and test results are recorded in confidential Report No. **GB/BAS/ExTR21.0096/00**

9 Compliance with the Essential Health and Safety Requirements has been assured by compliance with:

EN IEC 60079-0: 2018 EN 60079-1: 2014 EN 60079-7: 2015+A1: 2018 EN 60079-31: 2014

except in respect of those requirements listed at item 18 of the Schedule.

10 If the sign “X” is placed after the certificate number, it indicates that the product is subject to the Specific Conditions of Use specified in the schedule to this certificate.

11 This UK-TYPE EXAMINATION CERTIFICATE relates only to the design and construction of the specified product. Further requirements of the Regulations apply to the manufacturing process and supply of this product. These are not covered by this certificate.

12 The marking of the product shall include the following:

⊕ II 2GD Ex db eb IIC T6 Gb (T_{amb} -40°C to +60°C)

Ex tb IIIC T85°C Db (T_{amb} -40°C to +60°C) IP66 and IP68 submerged at 1 meter for 60 minutes

SGS Baseefa Customer Reference No. **2191**

Project File No. **21/0331**

This document is issued by the Company subject to its General Conditions for Certification Services accessible at <http://www.sgs.com/en/Terms-and-Conditions.aspx> and the Supplementary Terms and Conditions accessible at <http://www.sgs.com/SGSBaseefa/Terms-and-Conditions.aspx>. Attention is drawn to the limitation of liability, indemnification and jurisdiction issues defined therein. Any holder of this document is advised that information contained herein reflects the Company's findings at the time of its intervention only and within the limits of Client's instructions, if any. It does not necessarily indicate that the equipment may be used in particular industries or circumstances. The Company's sole responsibility is to its Client and this document does not exonerate parties to a transaction from exercising all their rights and obligations under the transaction documents. This document cannot be reproduced except in full, schedule included, without prior written approval of the Company. Any unauthorized alteration, forgery or falsification of the content or appearance of this document is unlawful and offenders may be prosecuted to the fullest extent of the law.

SGS Baseefa Limited

Rockhead Business Park, Staden Lane,
Buxton, Derbyshire SK17 9RZ

Telephone +44 (0) 1298 766600 Fax +44 (0) 1298 766601
e-mail baseefa@sgs.com web site www.sgs.co.uk/sgsbaseefa

Registered in England No. 4305578.

Registered address: Rossmore Business Park, Ellesmere Port, Cheshire,
CH65 3EN



R S SINCLAIR
TECHNICAL MANAGER
On behalf of SGS Baseefa Limited

13

Schedule

14

Certificate Number **BAS21UKEX0421X**

15 Description of Product

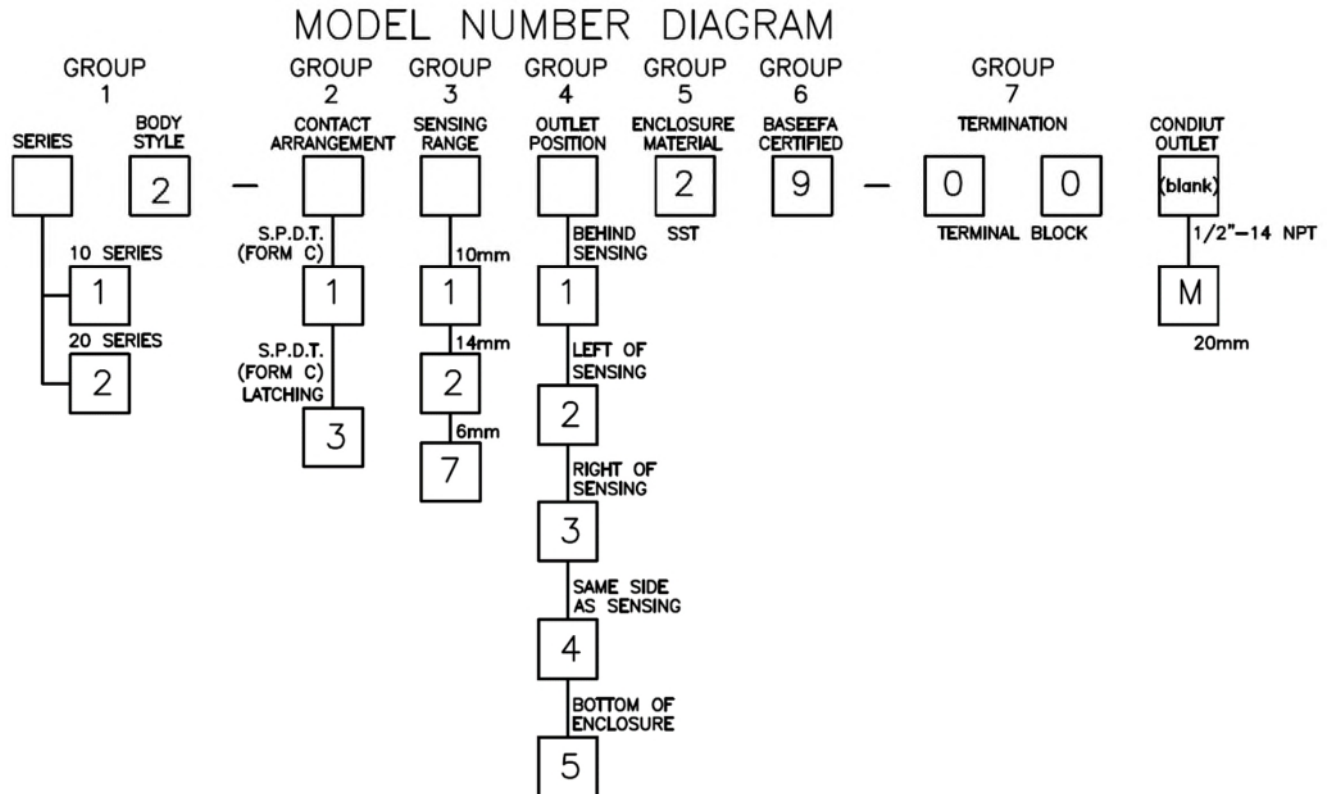
The Series 10/20 Limit Switches comprise a rectangular enclosure manufactured in stainless steel.

A sealed magnetically operated switch mechanism is located at the closed end, with an Exe terminal enclosure with up to four screw terminals at the other end. The terminal enclosure is closed by a stainless-steel plate with a gasket and four 8-32 x 5/16" stainless steel screws.

A cable entry boss threaded 1/2" NPT (or M20) is provided either on the cover plate or the side wall of the enclosure for the fitting of suitably certified cable entry devices.

The electrical ratings of the switches may be 4A/240Vac, 4A/120Vac, 4A/24Vdc, or 0.5A/125Vdc

The switch model number is used to further describe each assembly as follows:



16 Report Number

GB/BAS/ExTR21.0096/00

17 Specific Conditions of Use

- External earth bonding can be achieved via the mounting fixings. These fixings should be in stainless steel or an alternative non-ferrous metal in order to minimize both corrosion and magnetic interference of the switch function. The connection shall be made in such a manner as to prevent loosening and twisting (e.g. with shaped lugs/nuts and locking washers).
- Suitably certified cable entry devices shall be installed in accordance with IEC60079-14 and must maintain the ingress protection (IP) rating of the enclosure. The cable entry device thread shall not protrude within the enclosure body (i.e. shall maintain the clearance to the terminals).

3. Only one single or multiple strand conductor of size 16 to 18 AWG (1.3 to 0.8mm²) is to be accommodated in each terminal. The insulation of each conductor shall extend to within 1mm of the terminal clamping plate. Connection lugs and/or ferrules are not permitted.
4. The terminal screws are to be tightened down to 0.06Nm.

18 Essential Health and Safety Requirements

In addition to the Essential Health and Safety Requirements (EHSRs) covered by the standards listed at item 9, the following are considered relevant to this product, and conformity is demonstrated in the report:

Clause	Subject
13	LVD Requirements
14	Overloading of equipment
21 (1)	External effects
21 (2)	Aggressive substances

19 Drawings and Documents

Number	Sheet	Issue	Date	Description
CERT-ES-09223-1 Baseefa12ATEX0160X	1	AA	10/15/2021	LABEL, 10/20 SERIES Certificate